

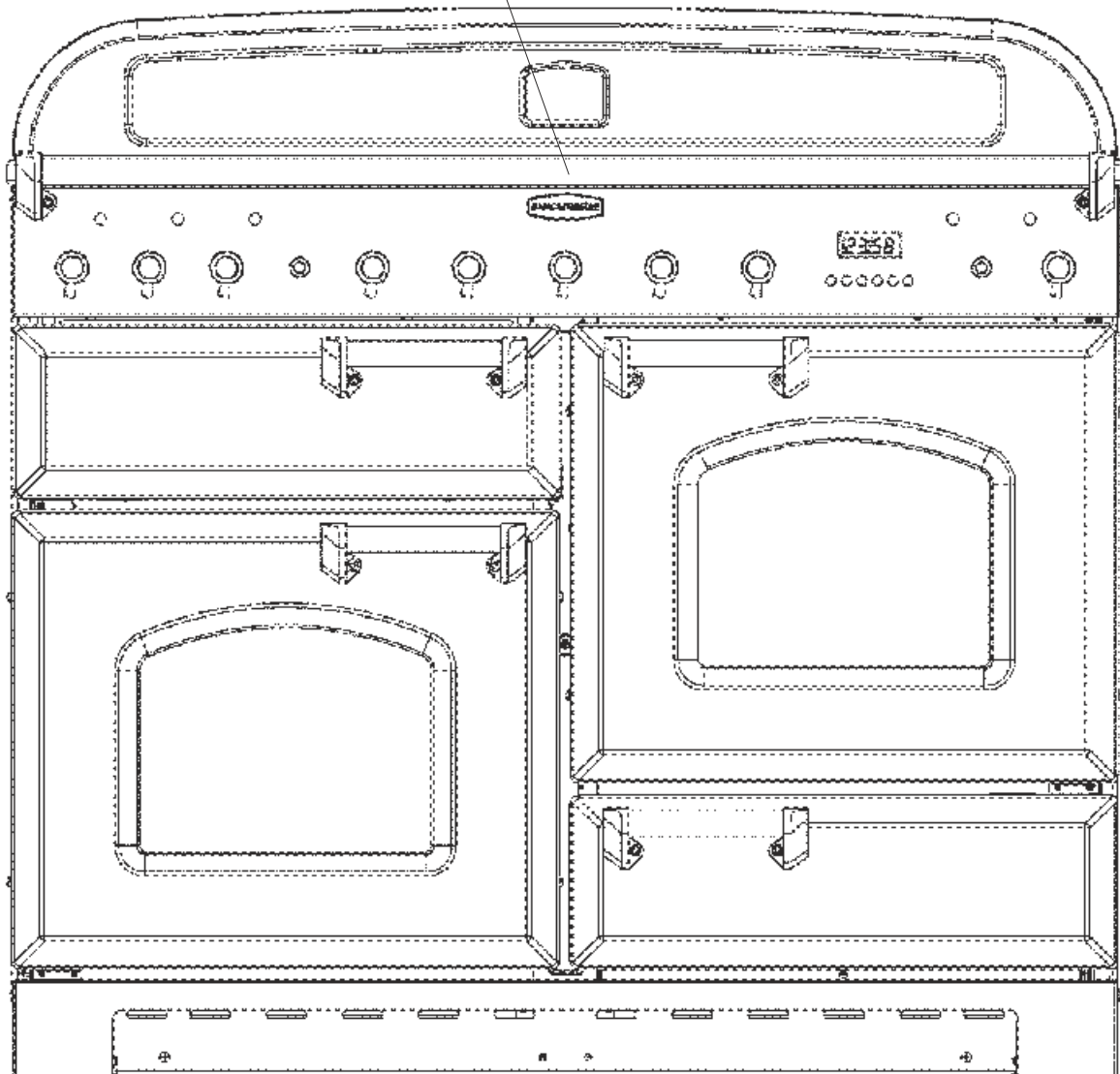
CLASSIC DL 110 INDUCTION
NEW from Serial No 186000

DATE 15.03.16

DSL0668 P00

ISSUE STATUS 01

123
HANDRAIL

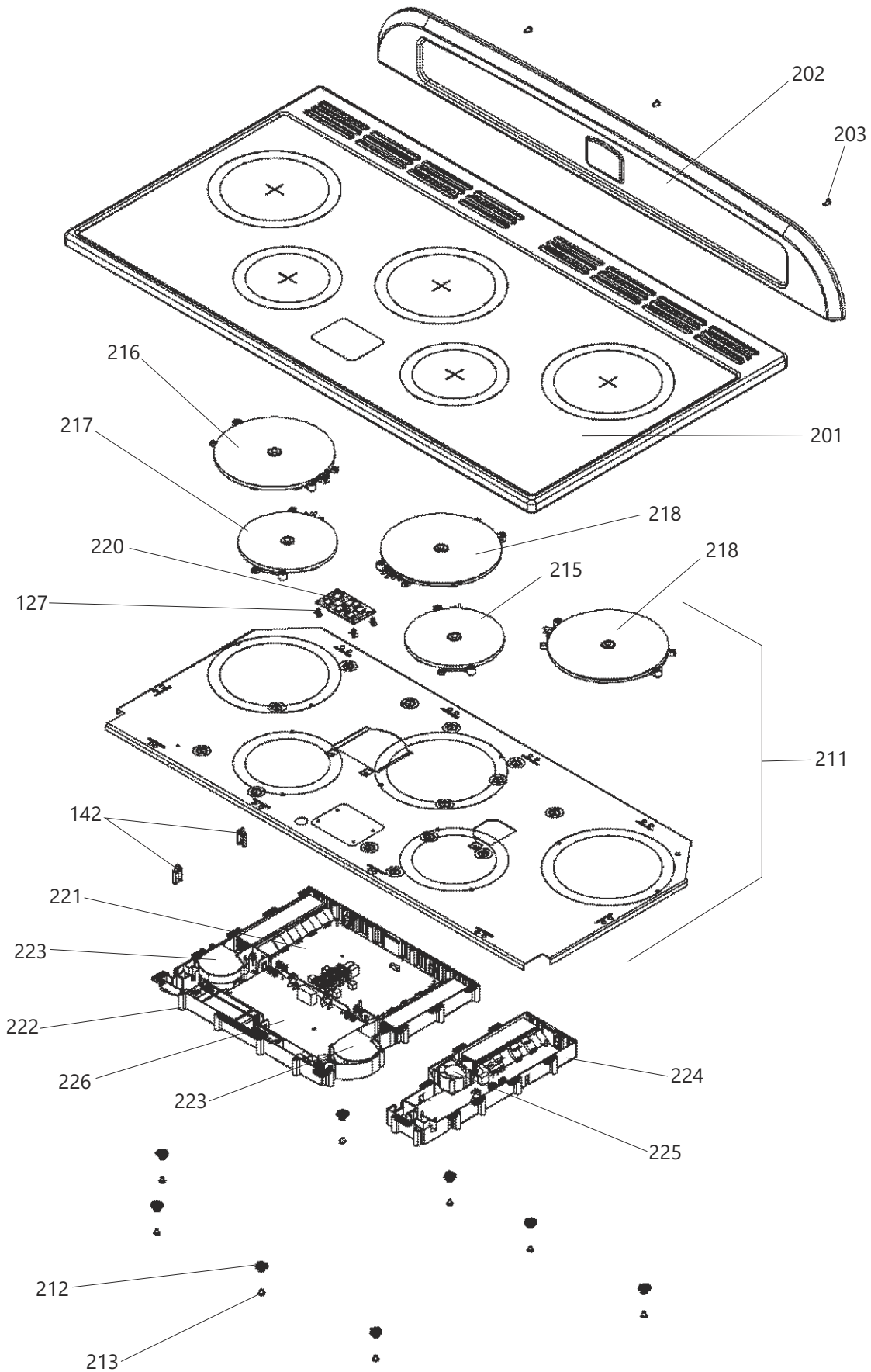


**CLASSIC DL 110 INDUCTION
NEW from Serial No 186000**

DSL0668 P01

DATE 15.03.16

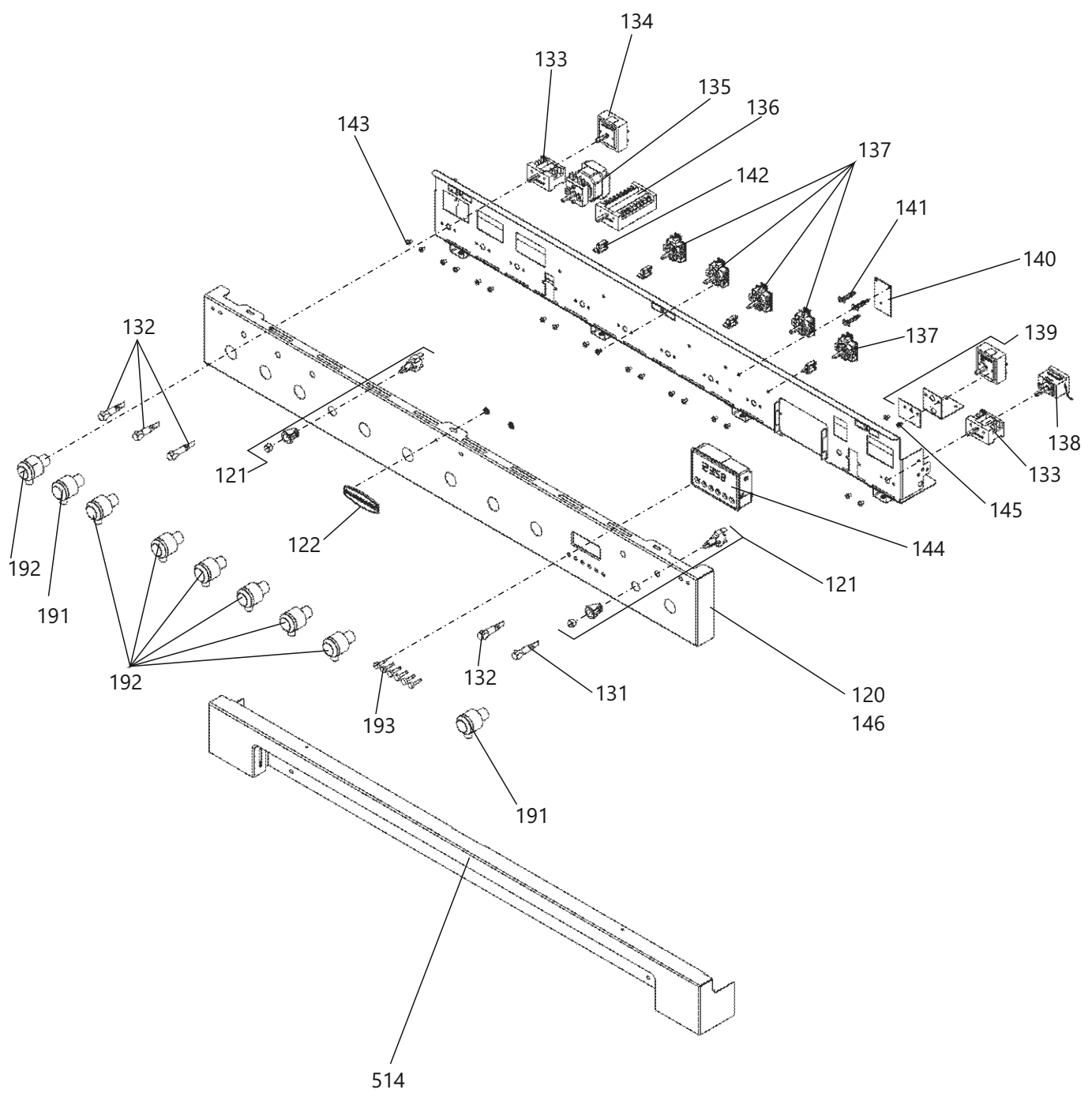
ISSUE STATUS 01



HOB AND INDUCTION ASSEMBLY

CLASSIC DL 110 INDUCTION
NEW from Serial No 186000

DSL0668 P02
DATE 15.03.16 ISSUE STATUS 01

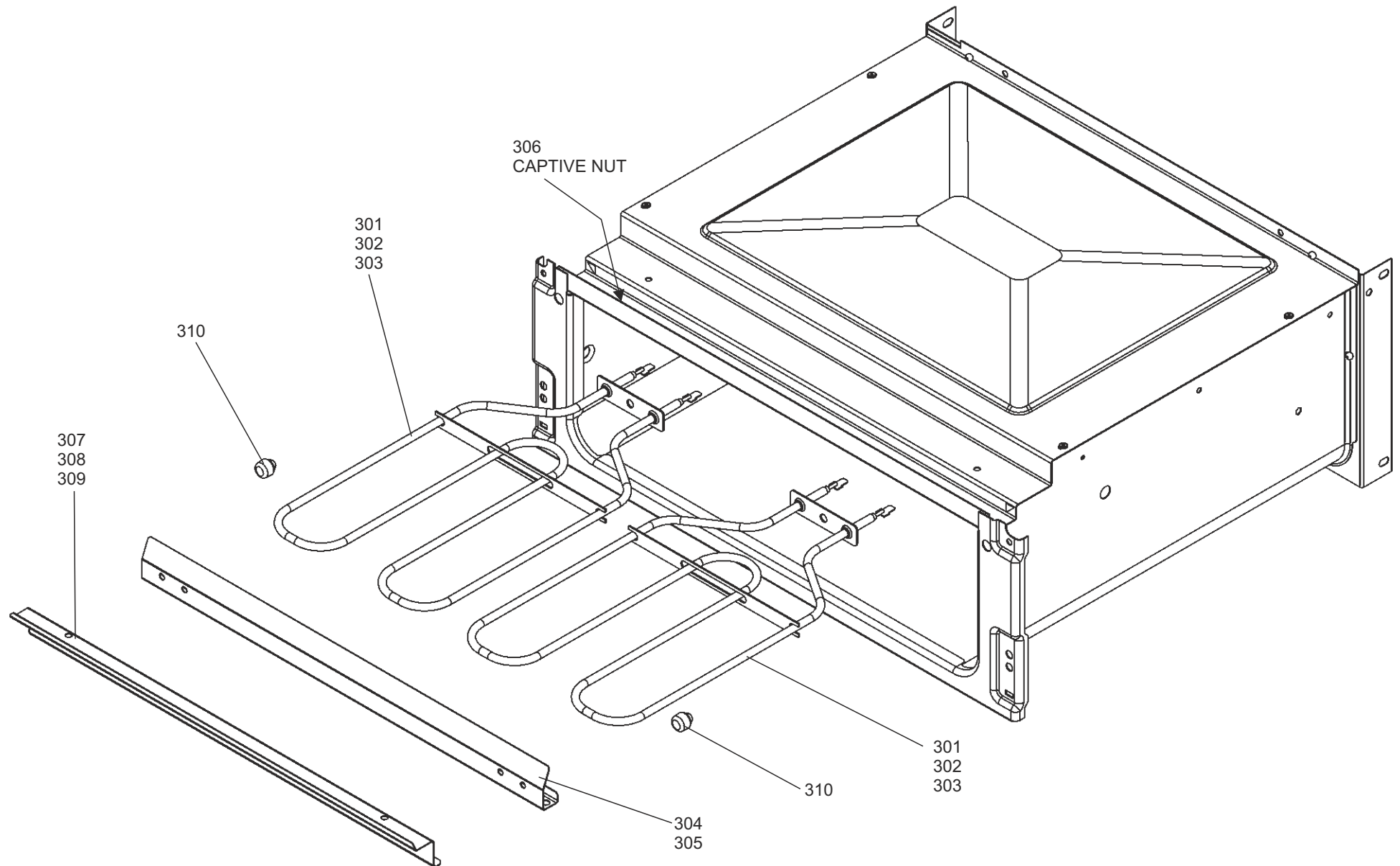


FACIA ASSEMBLY

CLASSIC DL 110 INDUCTION
NEW from Serial No 186000

DATE 15.03.16 ISSUE 01

DSL0668 P03



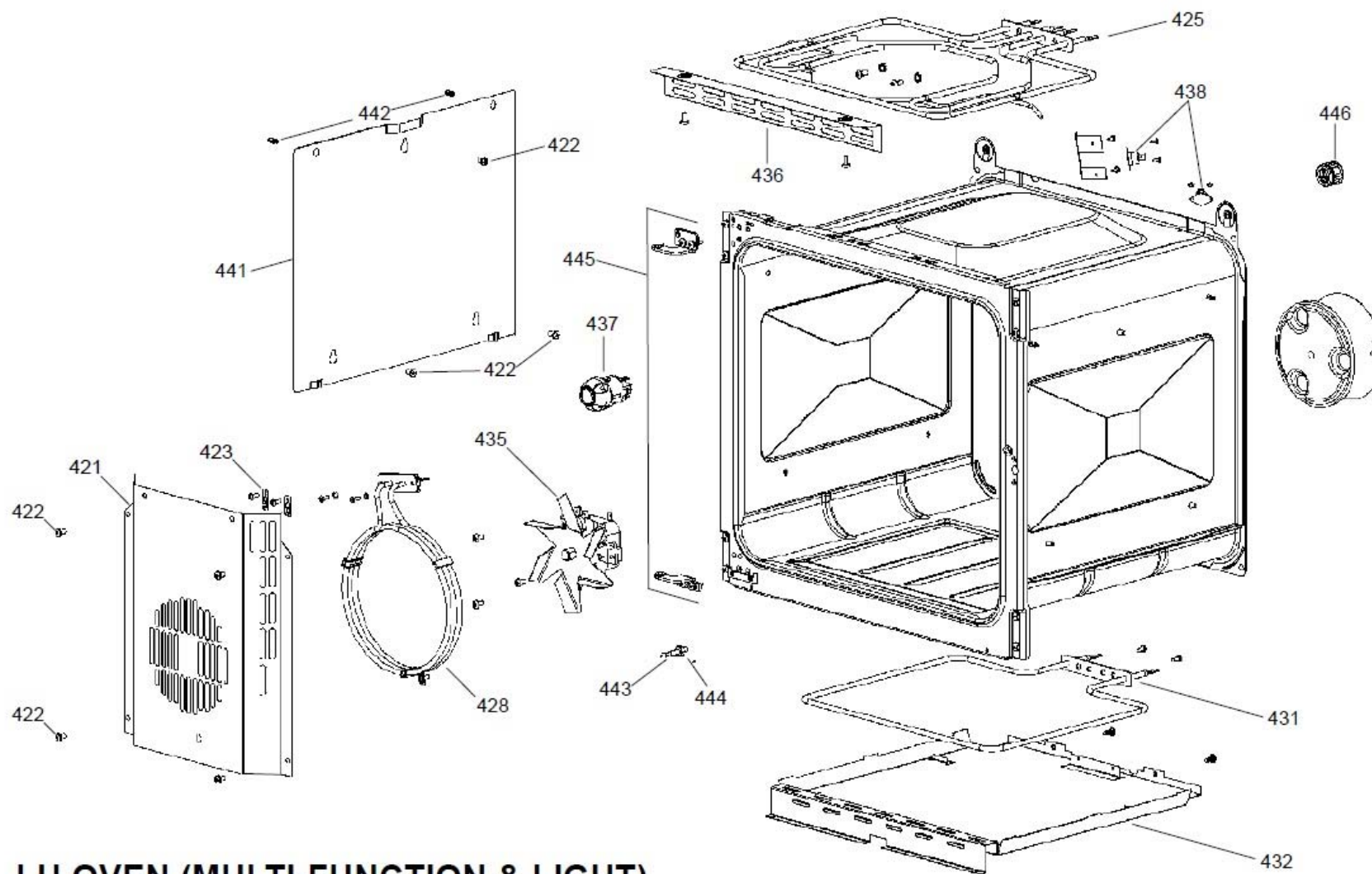
GRILL CHAMBER

CLASSIC DL 110 INDUCTION

DATE: 17.10.2018

DSL0668 P04A

ISSUE: 01

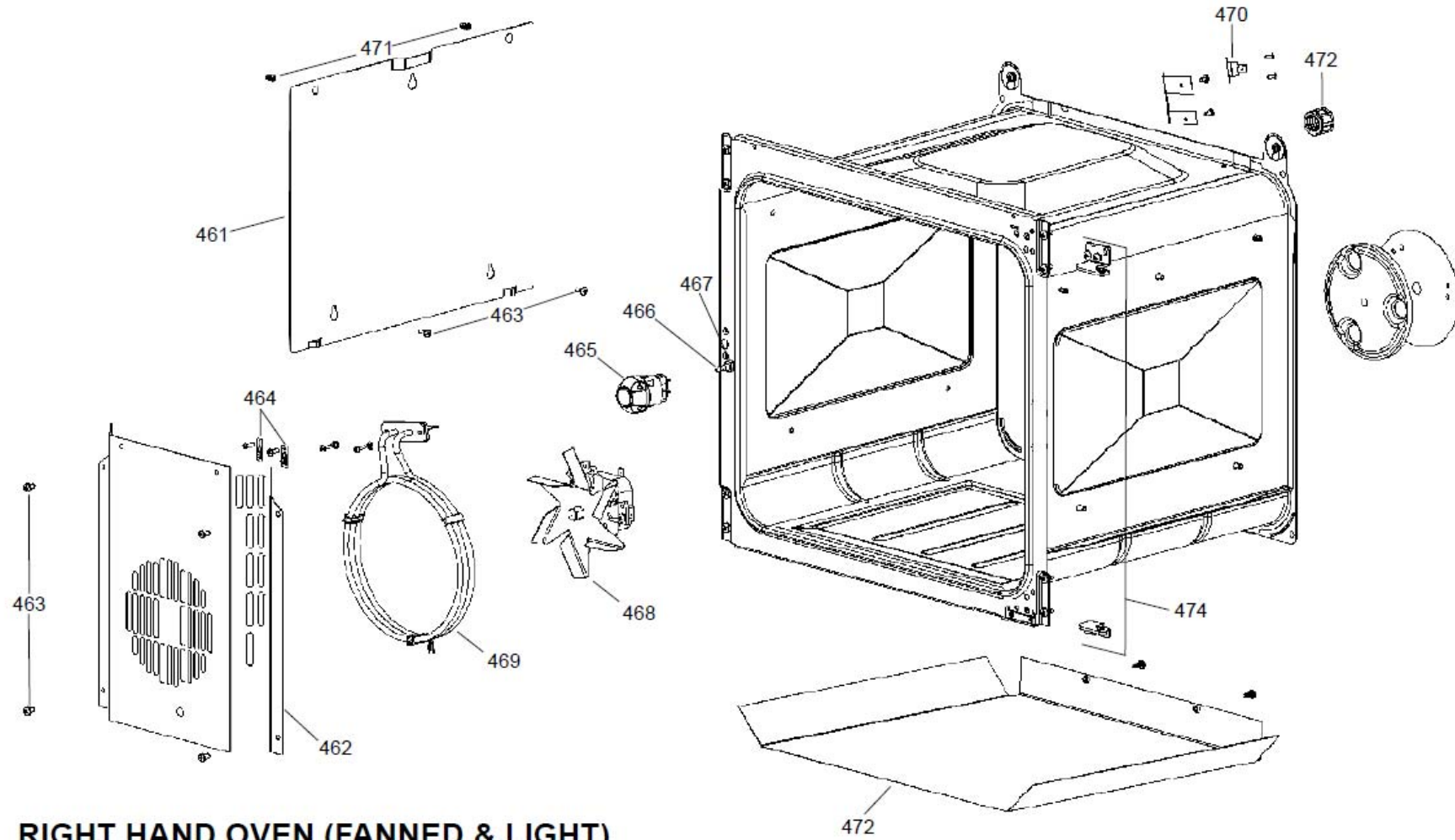


LH OVEN (MULTI-FUNCTION & LIGHT)

CLASSIC DL 110 INDUCTION

DATE: 17.10.2018

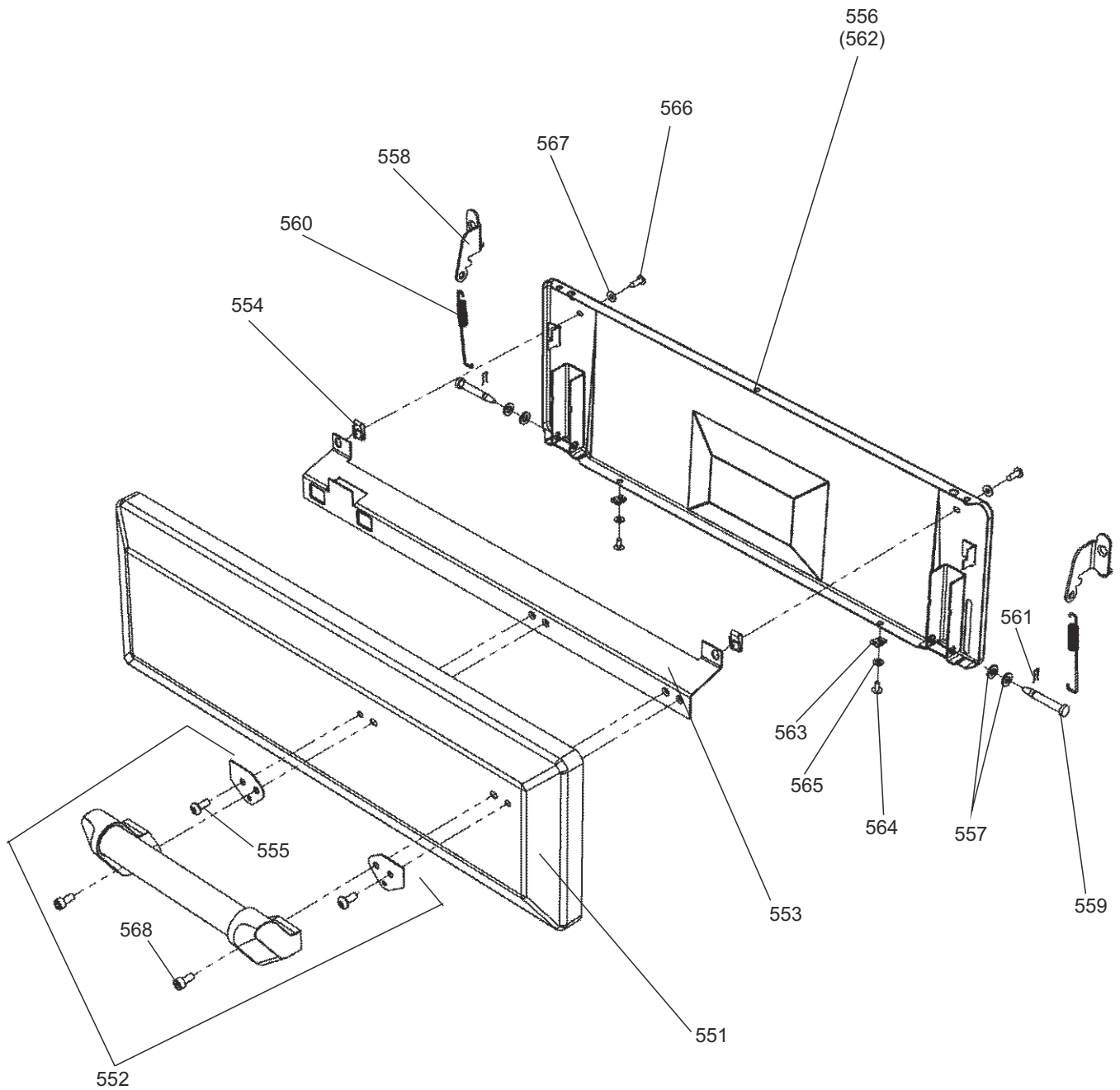
DSL0668 P05A
ISSUE 01



RIGHT HAND OVEN (FANNED & LIGHT)

CLASSIC DL 110 INDUCTION
NEW from Serial No 186000

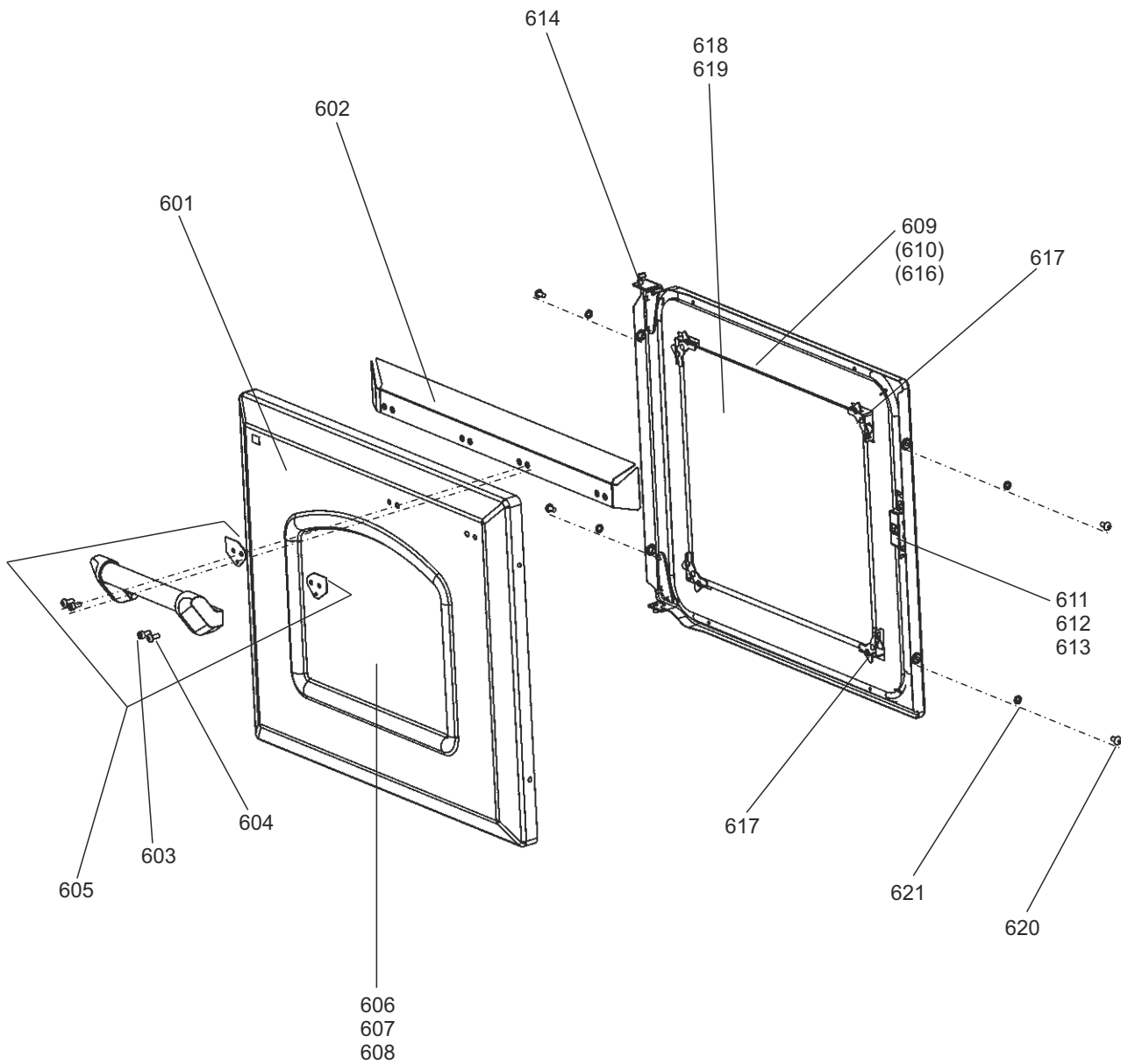
DSL0668 P06
DATE 15.03.16 ISSUE STATUS 01



GRILL DOOR

CLASSIC DL 110 INDUCTION
NEW from Serial No 186000

DSL0668 P07
DATE 15.03.16 ISSUE STATUS 01

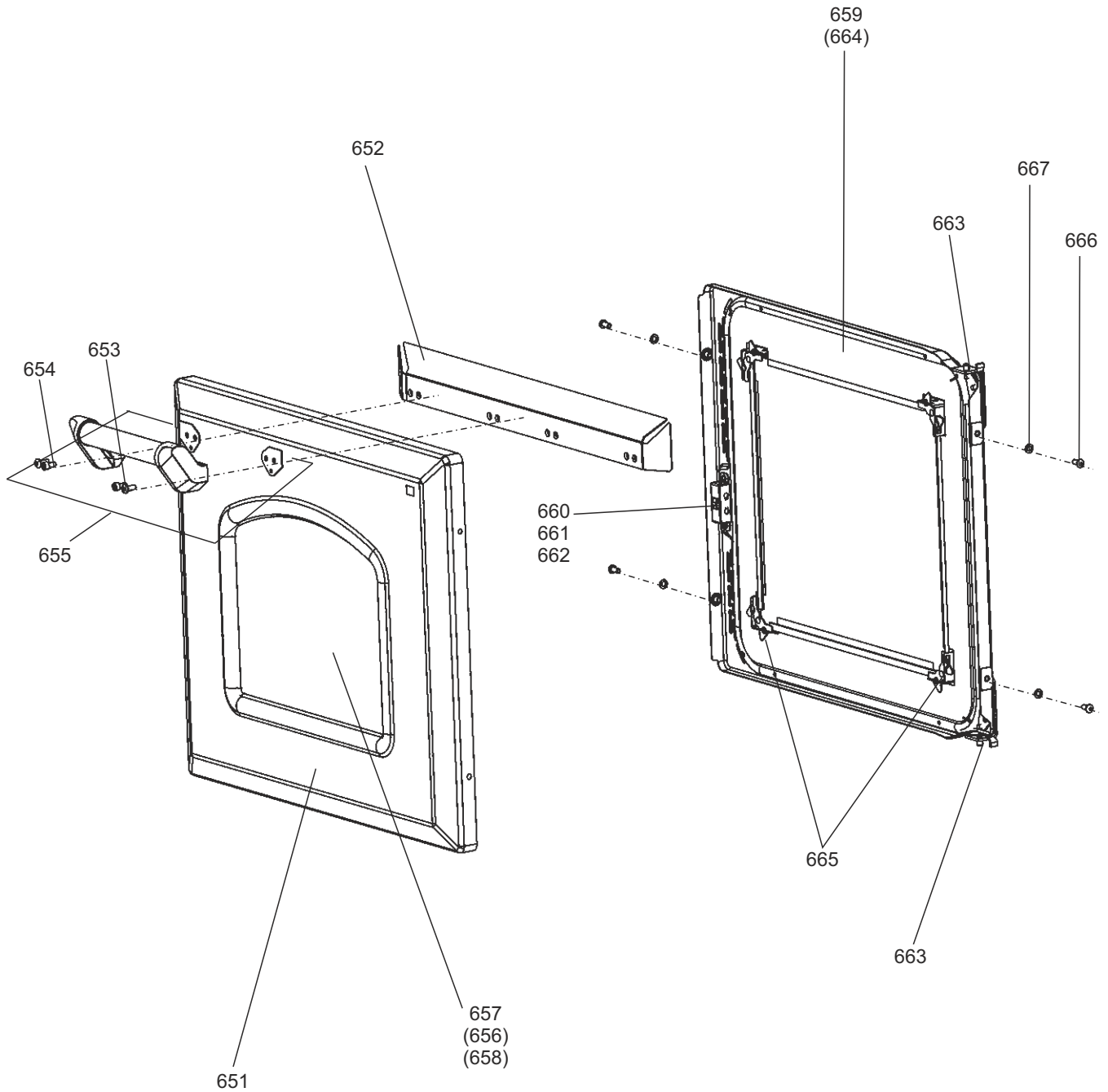


LH OVEN DOOR

CLASSIC DL 110 INDUCTION
NEW from Serial No 186000

DATE 15.03.16

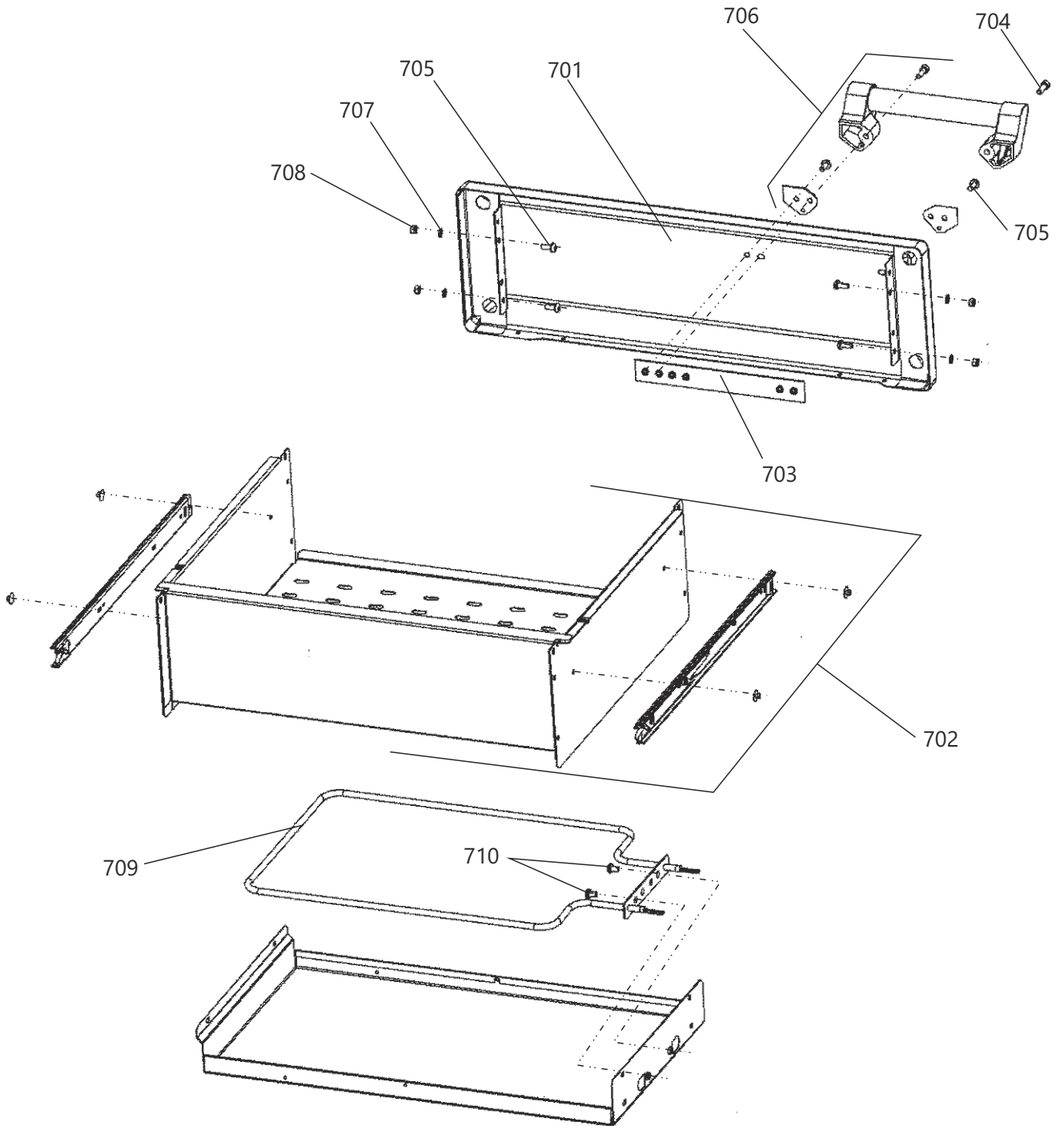
DSL0668 P08
ISSUE STATUS 01



RH OVEN DOOR

CLASSIC DL 110 INDUCTION
NEW from Serial No 186000

DSL0668 P09
DATE 15.03.16 ISSUE STATUS 01



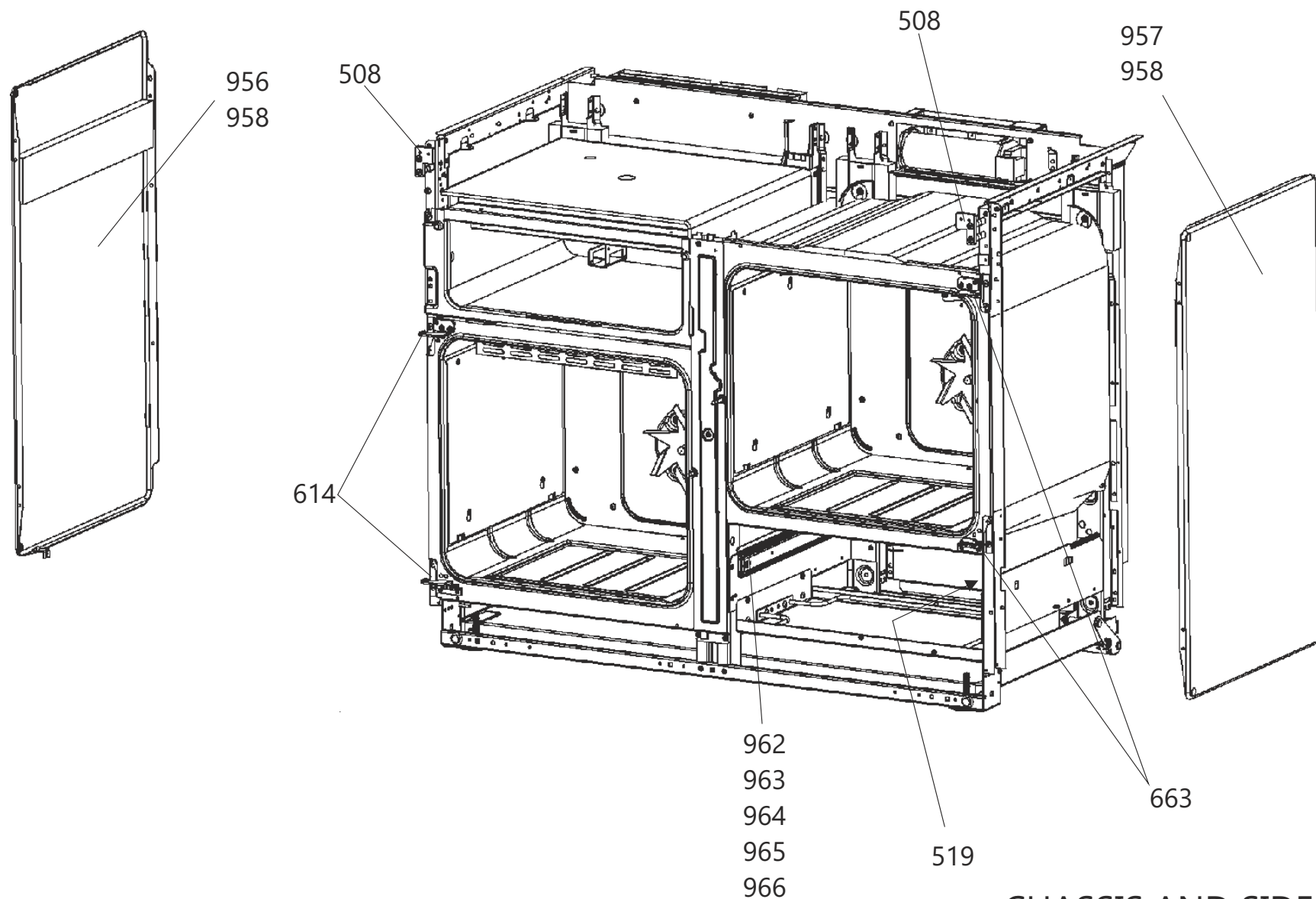
BREAD PROVING DRAWER

CLASSIC DL 110 INDUCTION
NEW from Serial No 186000

DSL0668 P10

DATE 15.03.16

ISSUE STATUS 01

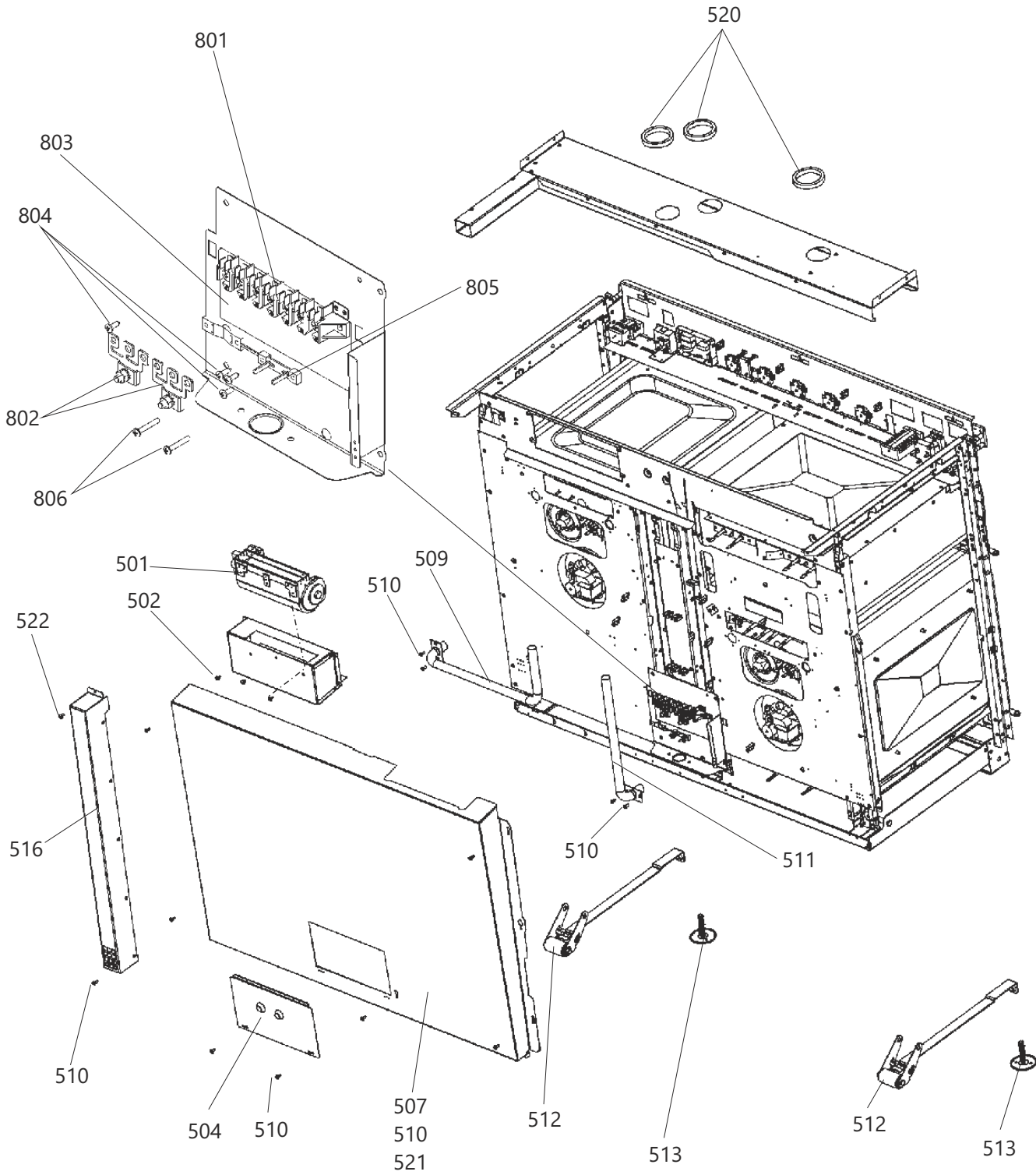


CHASSIS AND SIDES

CLASSIC DL 110 INDUCTION
NEW from Serial No 186000

DSL0668 P11

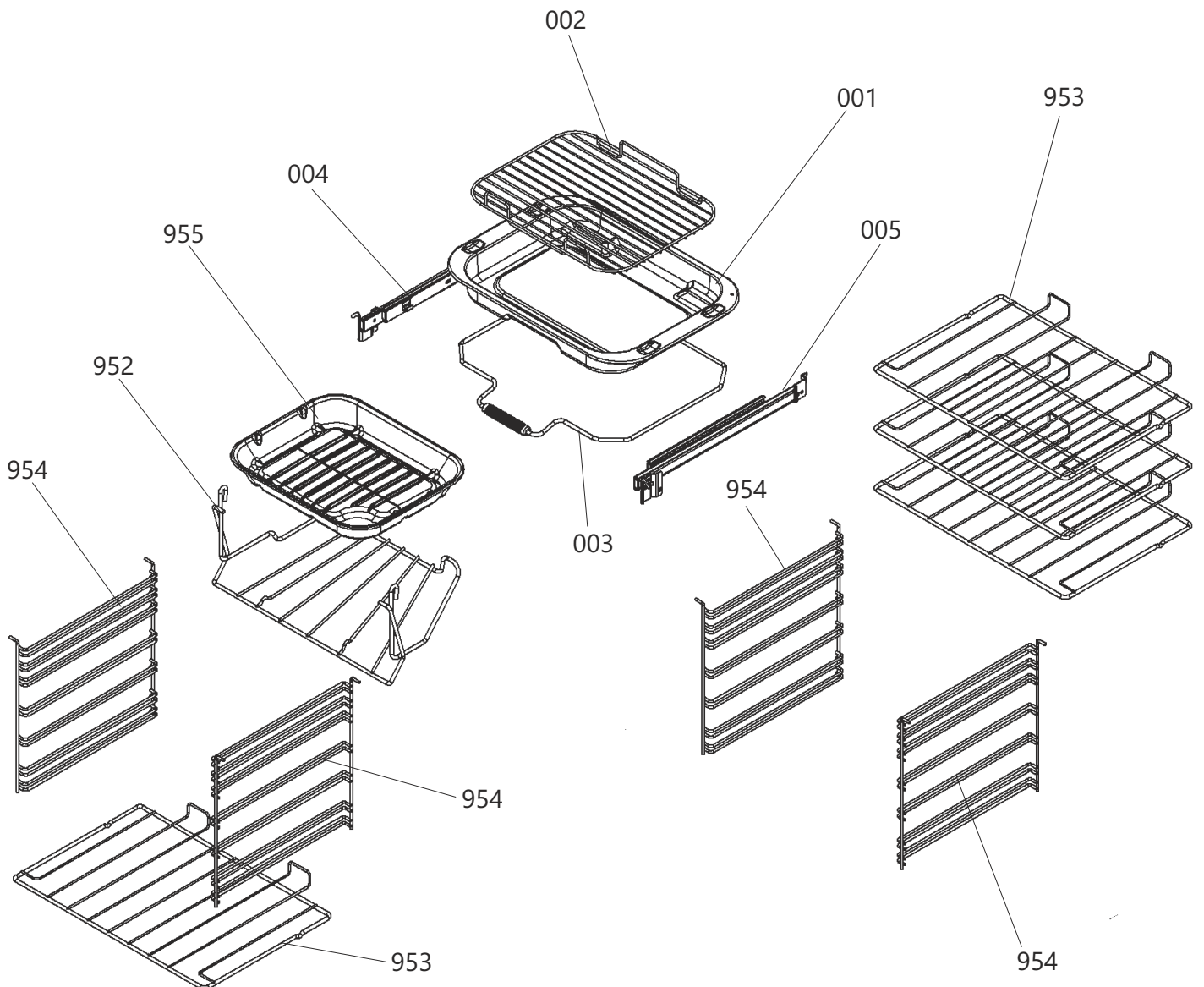
DATE 15.03.16 ISSUE STATUS 01



APPLIANCE REAR

CLASSIC DL 110 INDUCTION
NEW from Serial No 186000

DSL0668 P12
DATE 15.03.16 ISSUE STATUS 01



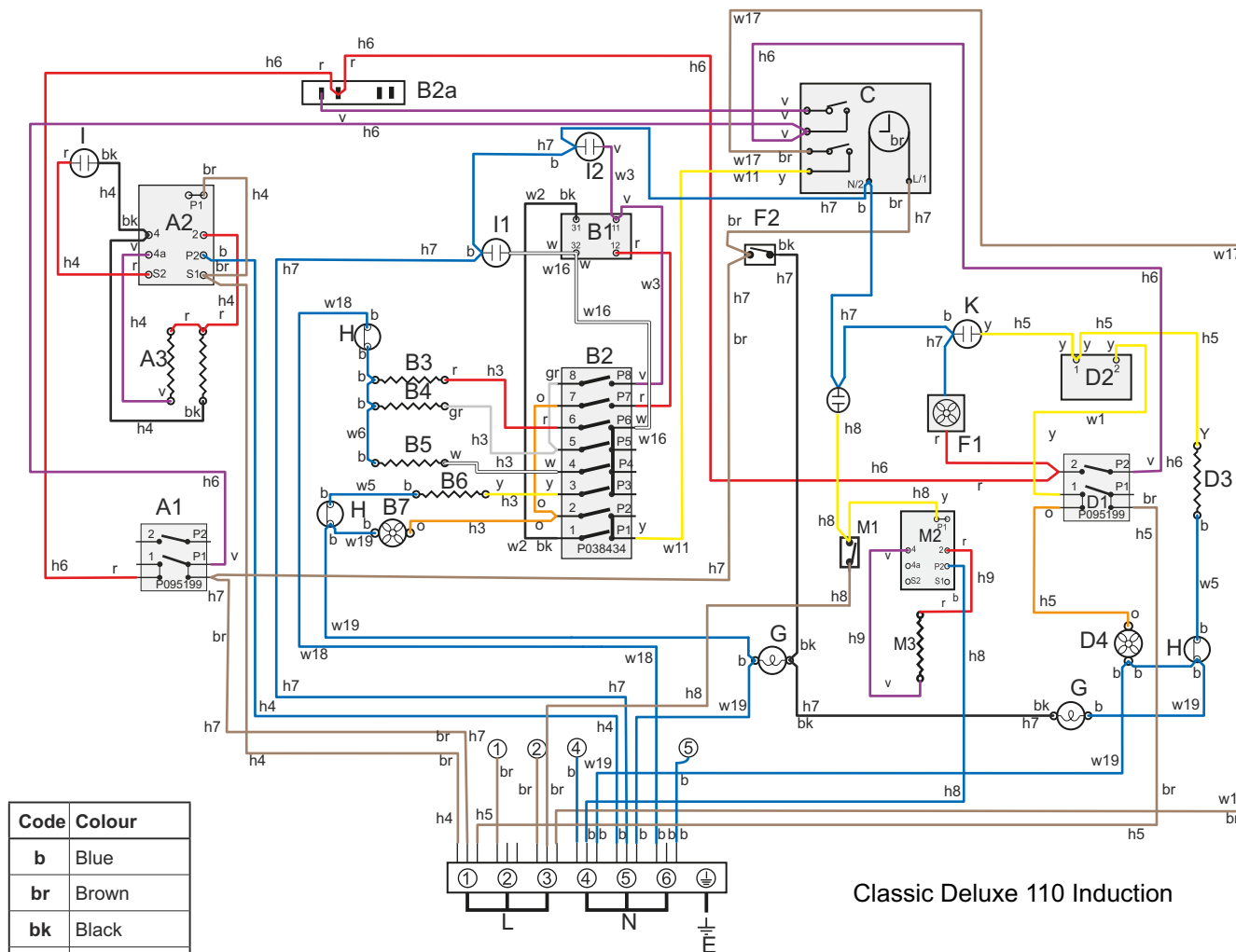
ACCESSORIES AND GRILL PAN

CLASSIC DL 110 INDUCTION NEW from Serial No 186000

DSL0668 P13

DATE 15.03.16

ISSUE STATUS 01



Code	Colour
b	Blue
br	Brown
bk	Black
or	Orange
r	Red
v	Violet
w	White
y	Yellow
g/y	Green/yellow
gr	Grey

Classic Deluxe 110 Induction

Code	Description
A1	Grill front switch
A2	Grill energy control
A3	Grill elements
B1	Multi-function oven thermostat
B2	Multi-function oven control
B2a	Multi-function oven thermostat front switch
B3	Left-hand multi-function oven base element
B4	Left-hand multi-function oven top element (outer pair)
B5	Left-hand multi-function oven browning element (inner pair)
B6	Left-hand multi-function oven fan element
B7	Left-hand multi-function oven fan

Code	Description
C	Clock
D1	Right-hand oven front switch
D2	Right-hand oven thermostat
D3	Right-hand fan oven element
D4	Right-hand oven fan
F1	Cooling fan
F2	Oven light switch
G	Oven light(s)
H	Thermal cut-out
I	Grill neon
I1	Multi-function oven neon
I2	Rapid heat-up neon
K	RH oven neon
M1	Proving drawer switch
M2	Proving drawer energy regulator
M3	Proving draw element

WIRING DIAGRAM