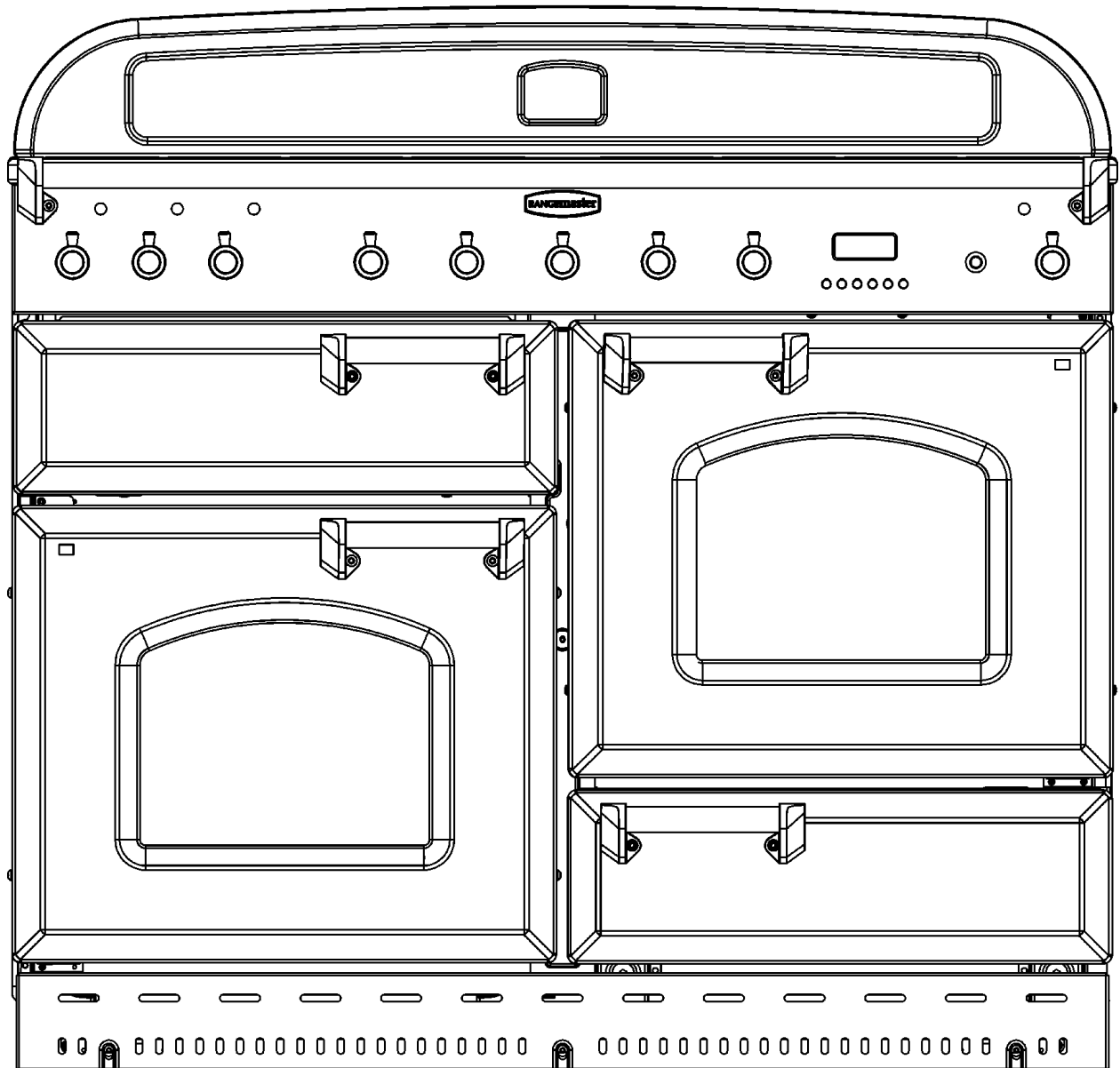


**CLASSIC DL 110 INDUCTION**  
**OLD up to Serial No 166999**

DATE 16.03.16

**DSL0408 P00**

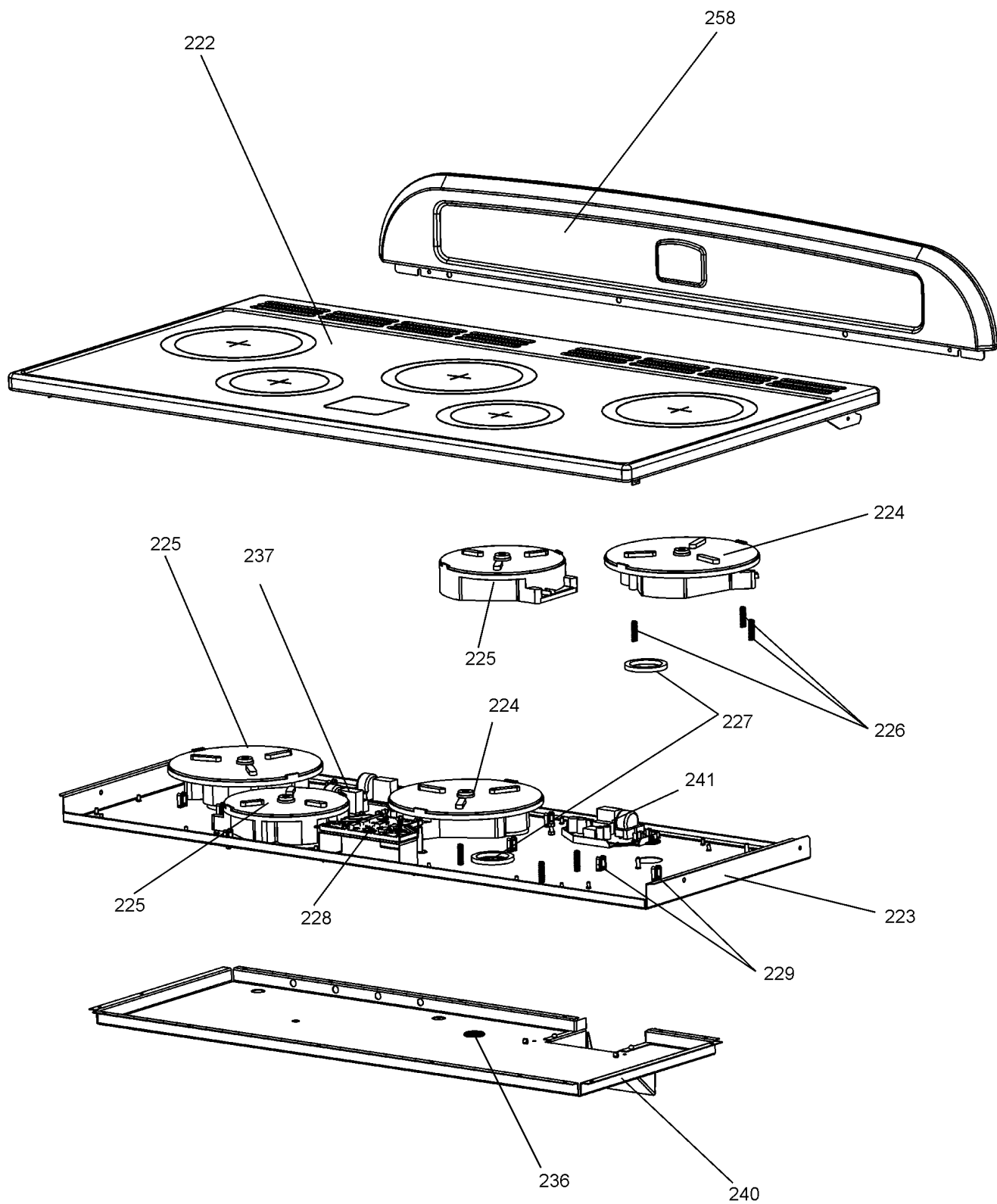
ISSUE STATUS 02



**CLASSIC DL 110 INDUCTION**  
**OLD up to Serial No 157999**

DATE 16.03.16

**DSL0408 P01**  
ISSUE STATUS 03

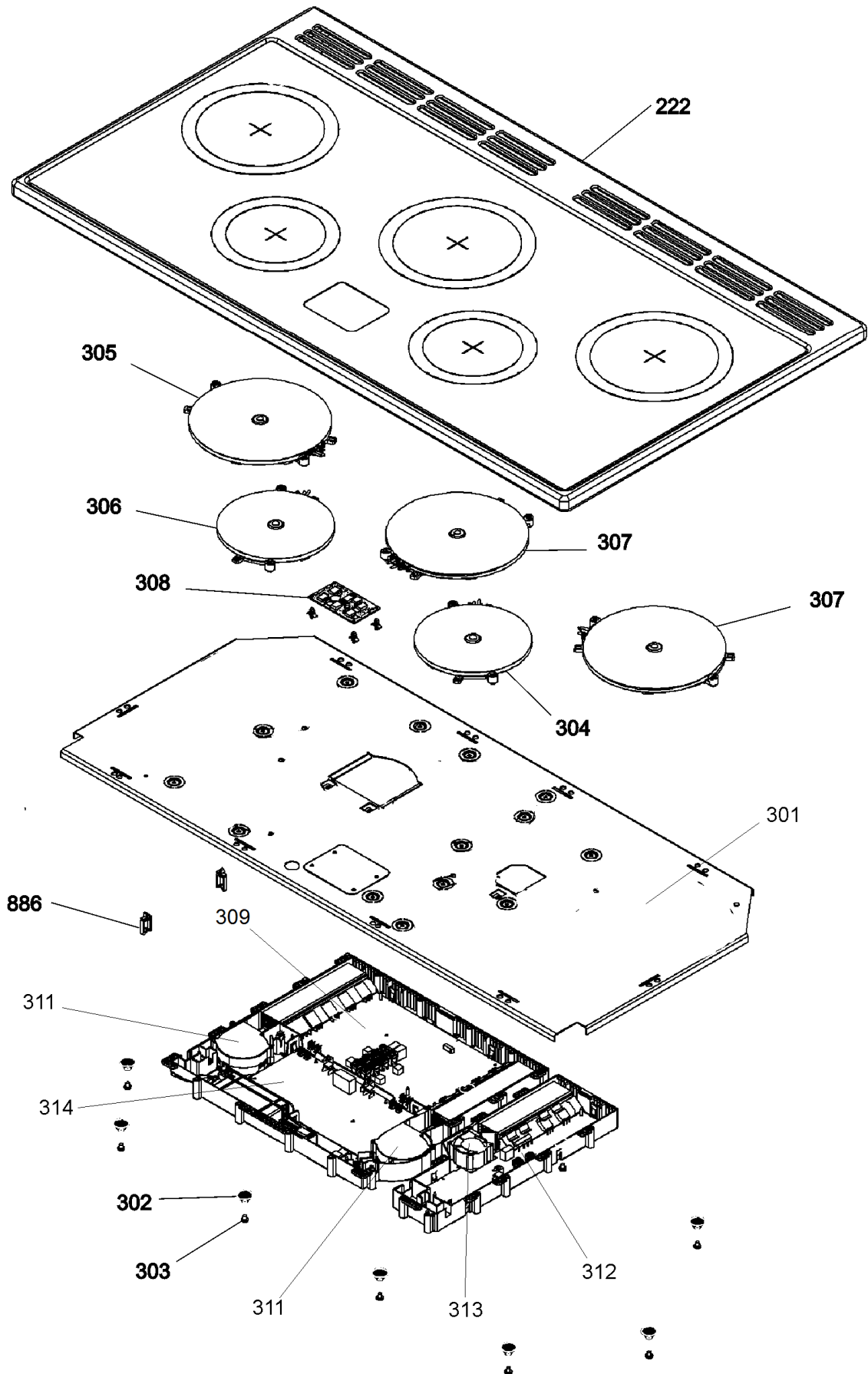


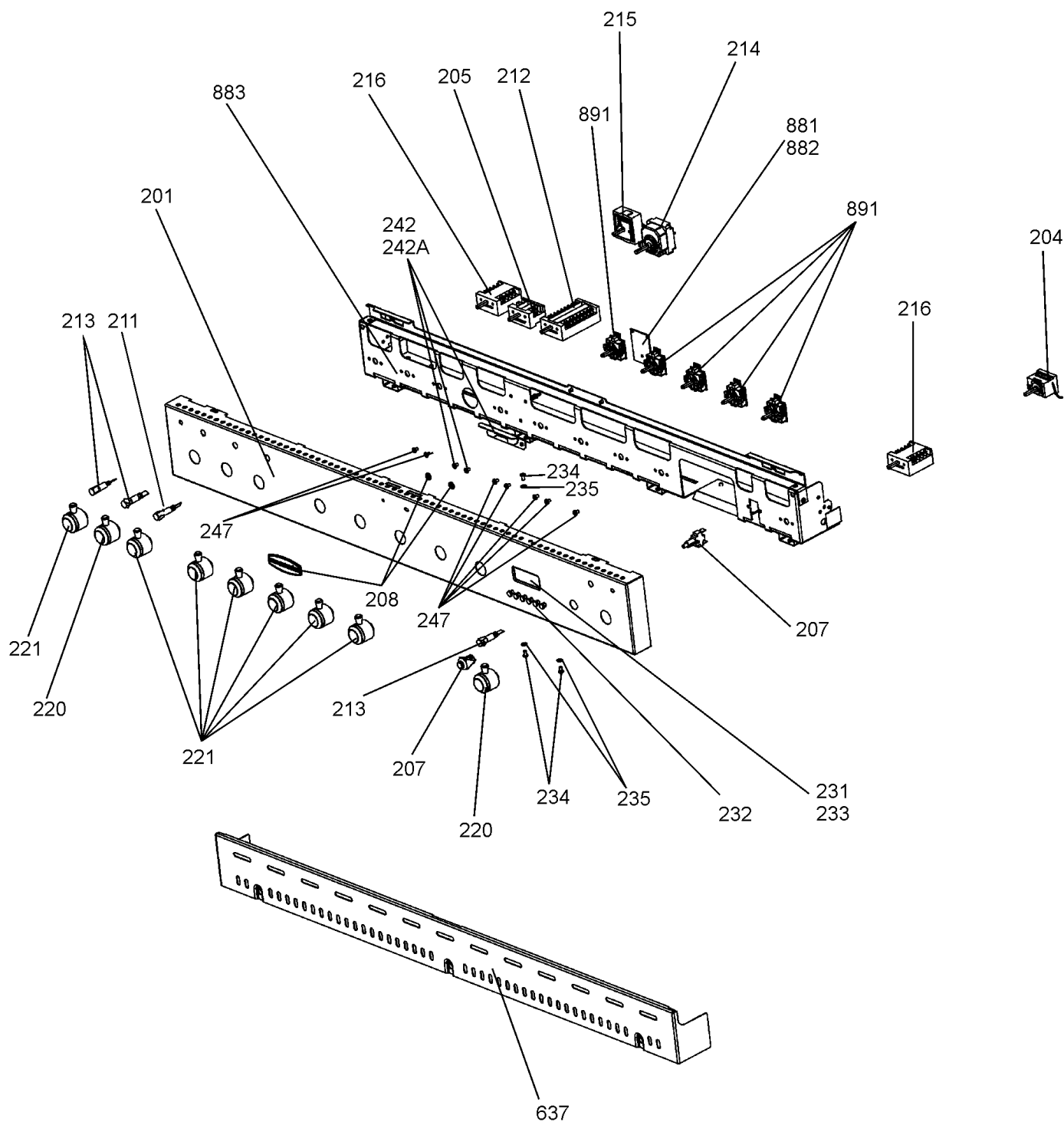
**CLASSIC DL 110 INDUCTION  
(G5) OLD  
FROM SERIAL NUMBER 158000  
UP TO SERIAL NUMBER 185999**

DATE 16.03.16

**DSL0408 P01A**

ISSUE STATUS 03





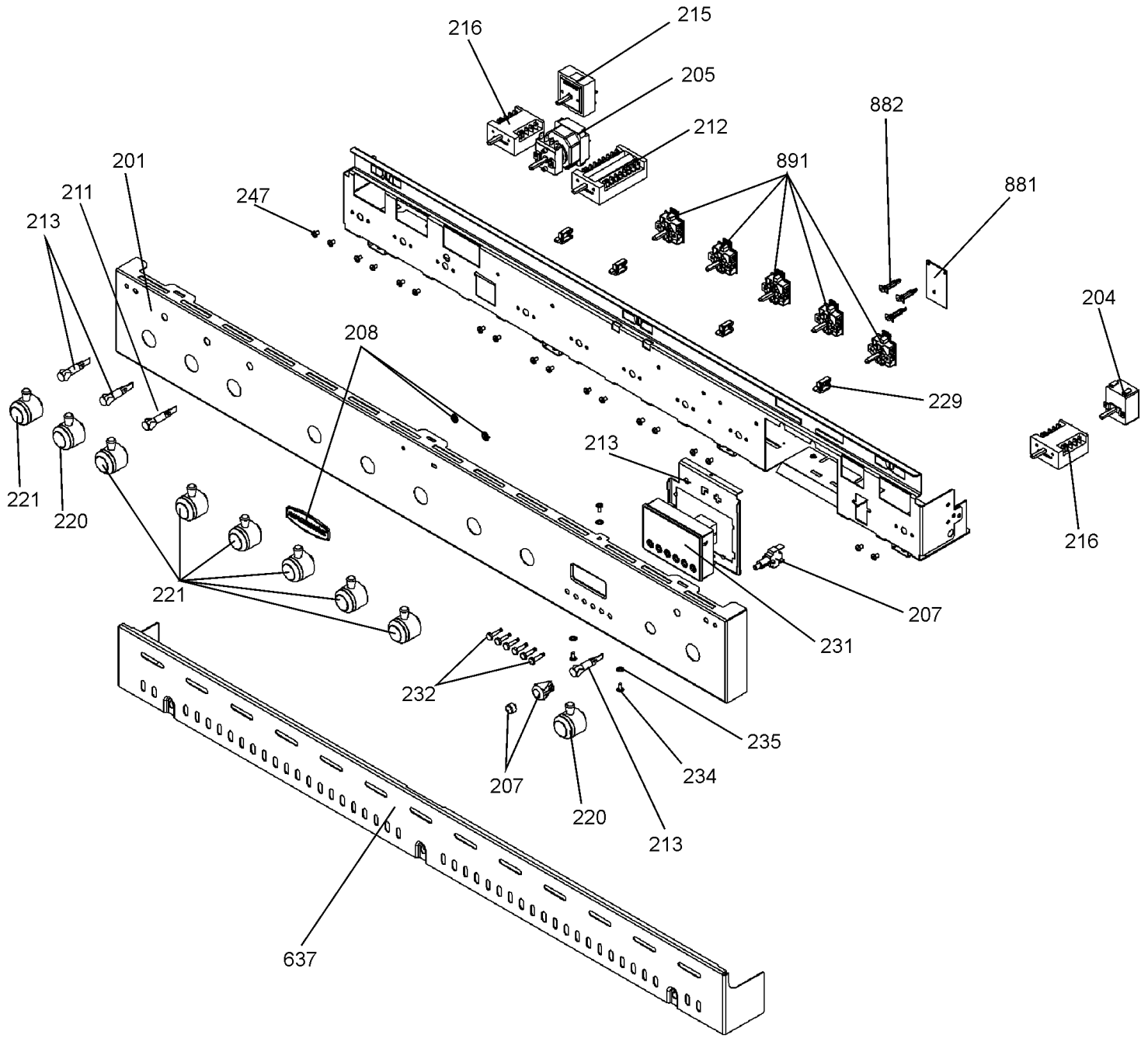
**CLASSIC DELUXE 110  
INDUCTION G5  
OLD**

DATE 16.03.16

**DSL0408 P02A**

ISSUE STATUS 02

**FROM SERIAL NUMBER 158000  
UP TO SERIAL NUMBER 185999**

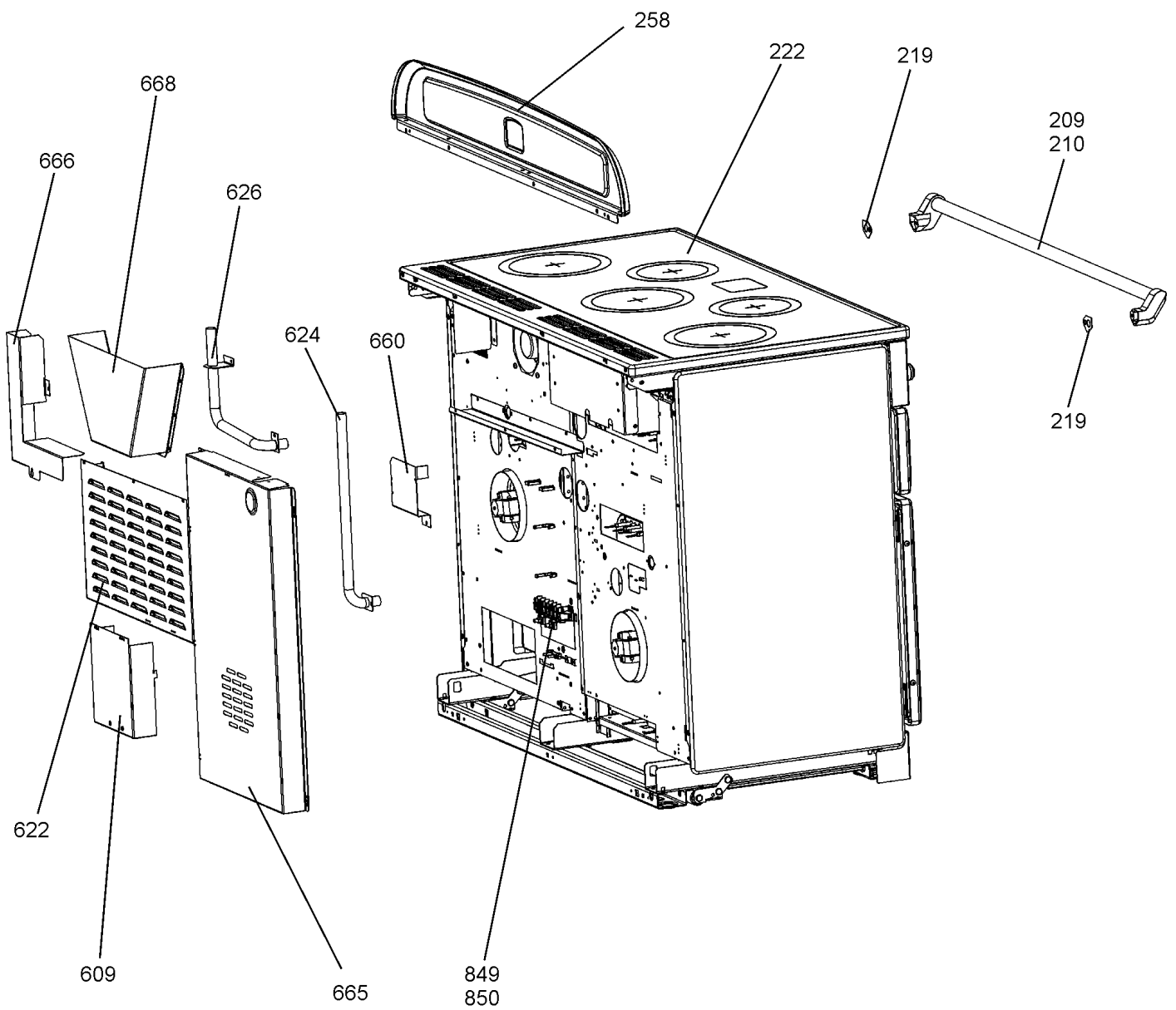


**CLASSIC DL 110 INDUCTION  
OLD**

DATE 16.03.16

**DSL0408 P03**  
ISSUE STATUS 03

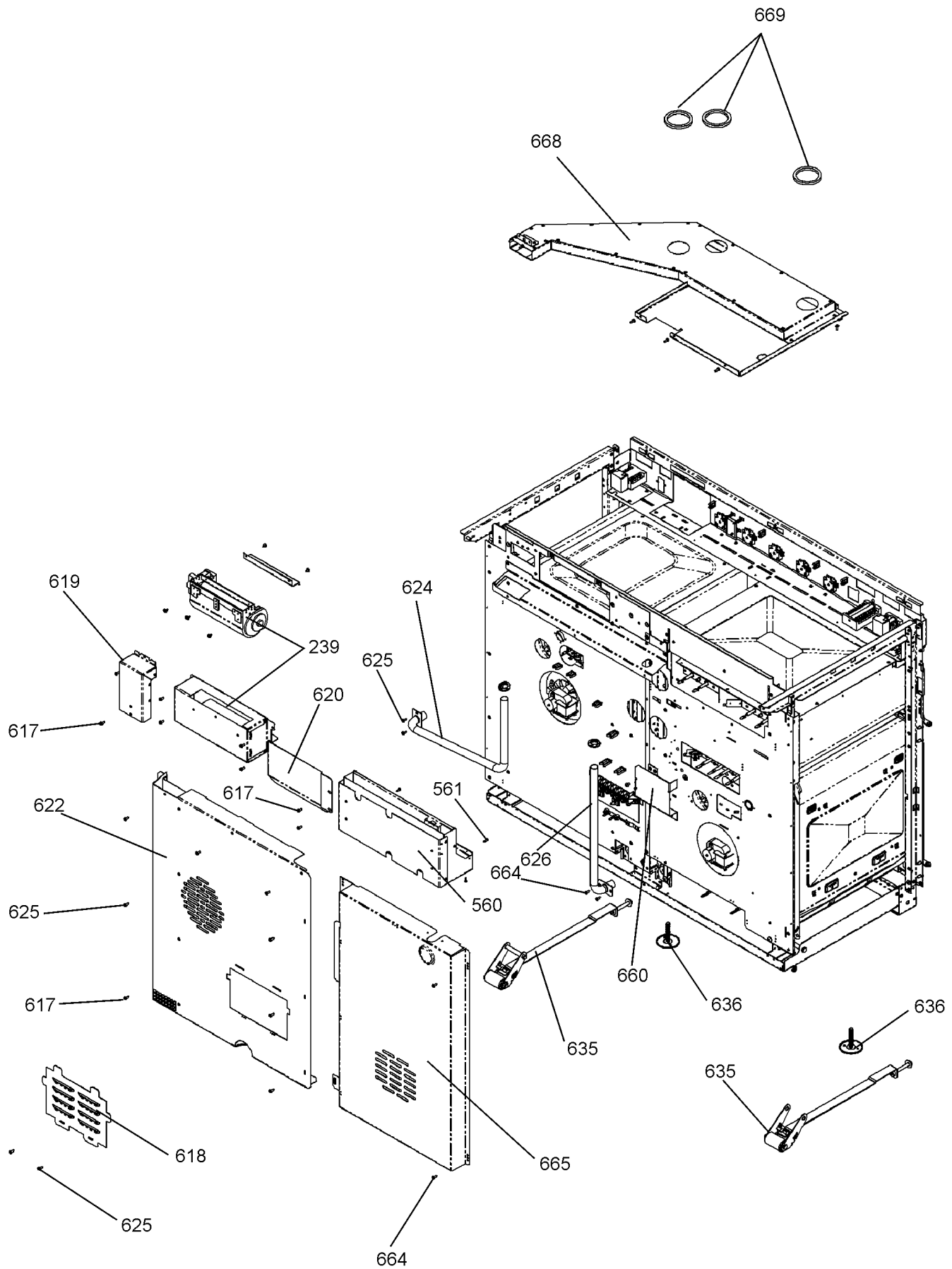
**UP TO SERIAL NUMBER 157999**



**OLD**

ISSUE STATUS 02

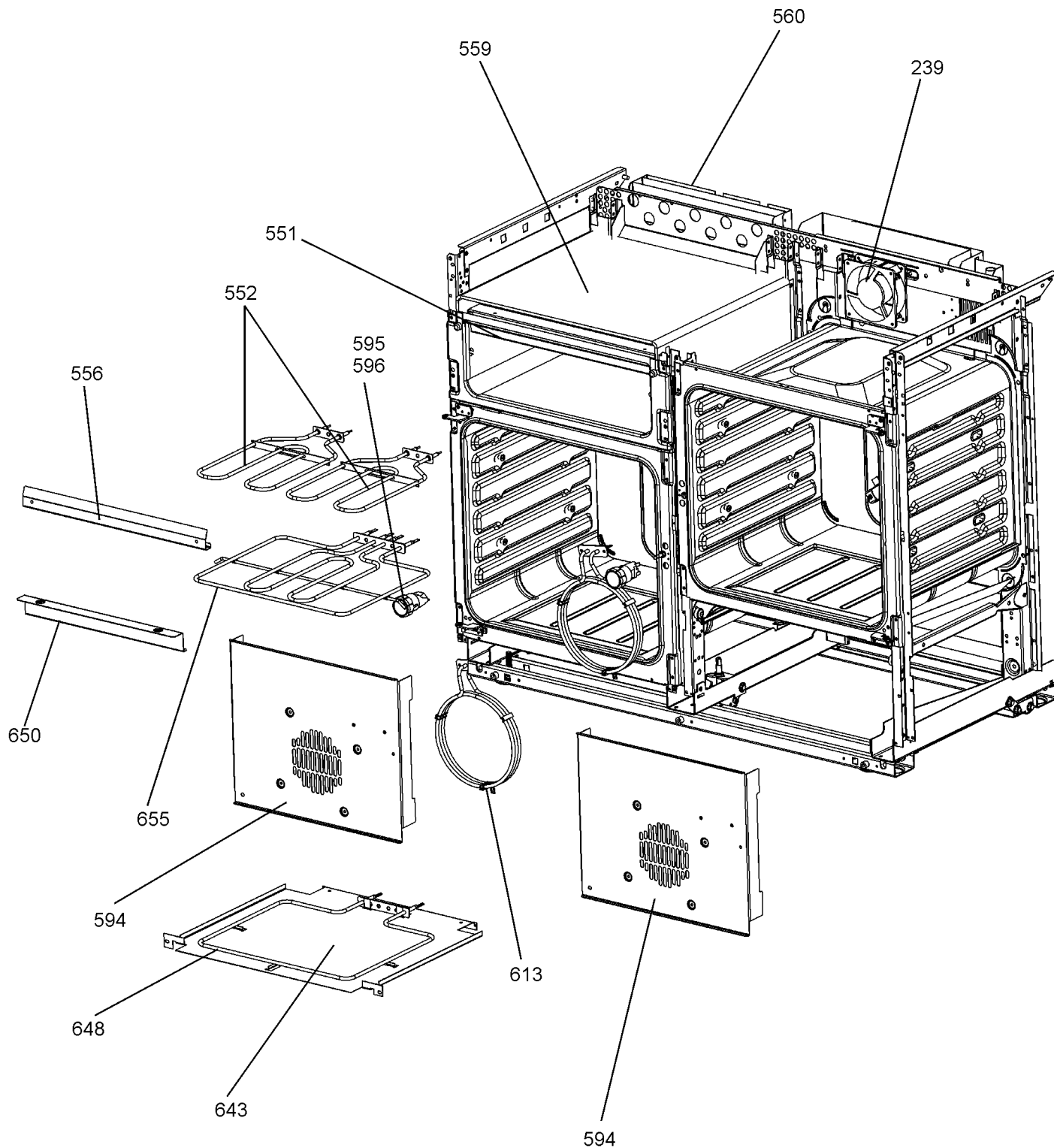
**FROM SERIAL NUMBER 158000  
UP TO SERIAL NUMBER 185999**



**CLASSIC DL 110 INDUCTION**  
**OLD up to Serial No 166999**

DATE 16.03.16

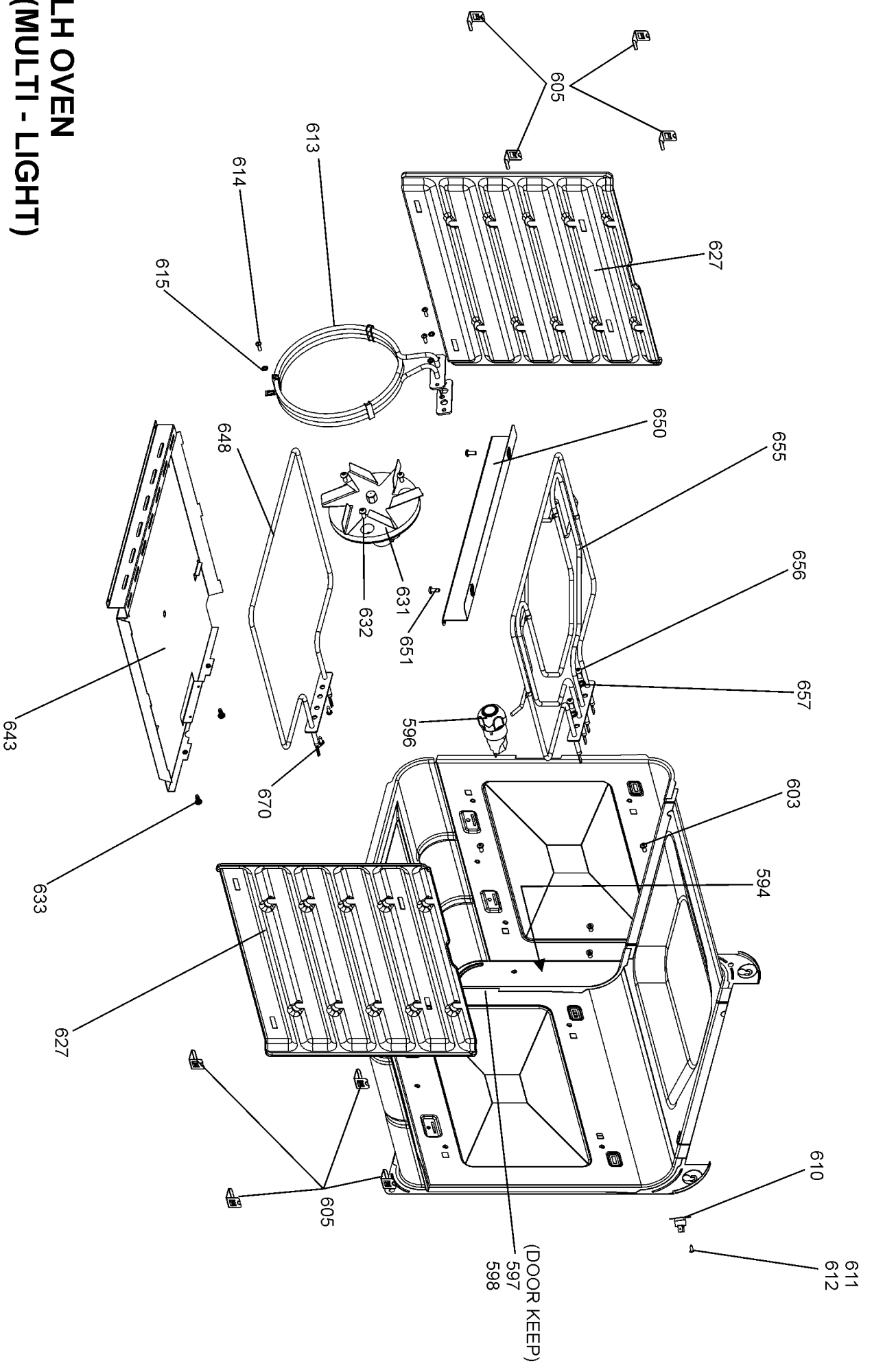
**DSL0408 P04**  
ISSUE STATUS 02



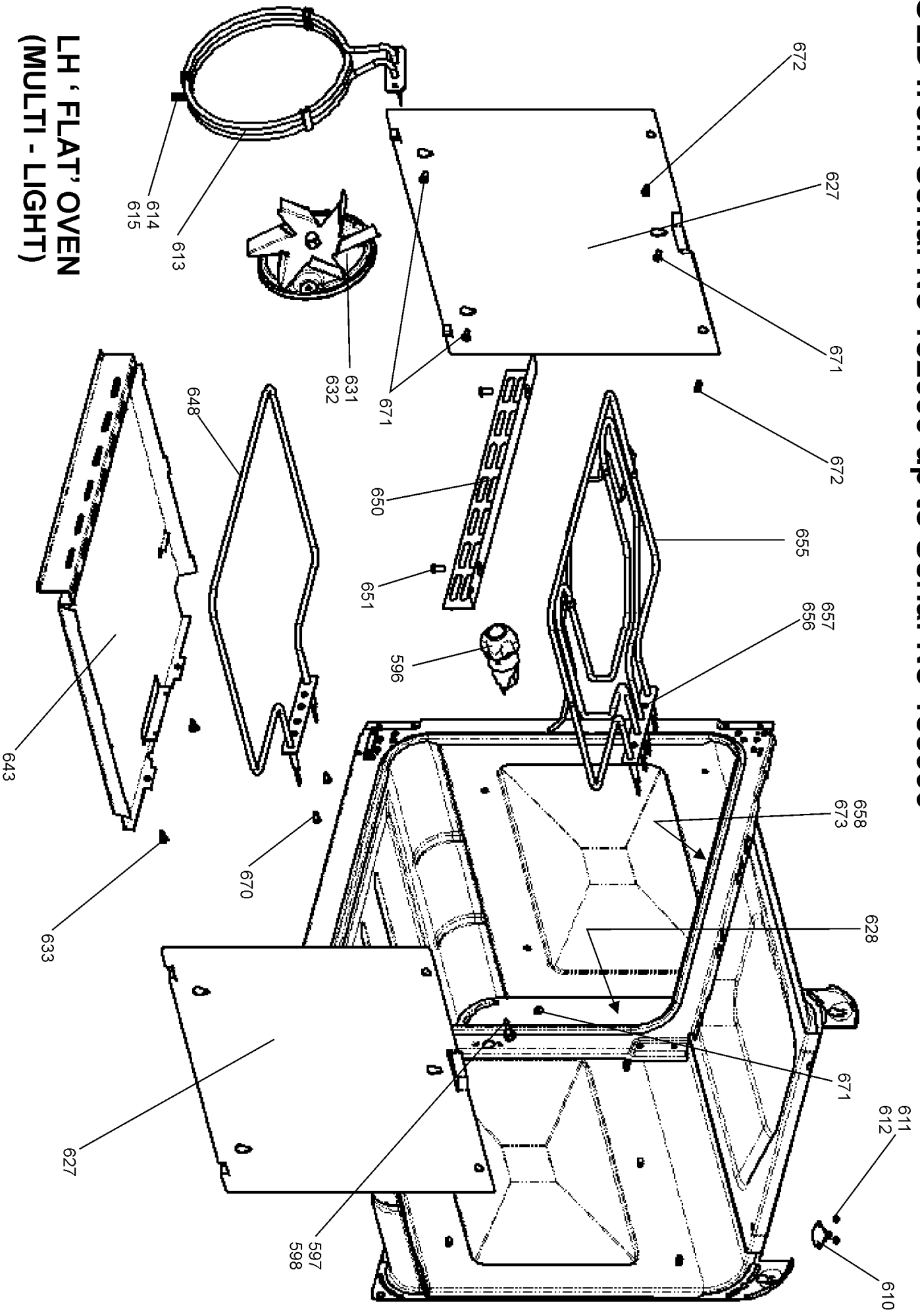


OLD from Serial No 167000 up to Serial No 181999

LH OVEN  
(MULTI - LIGHT)

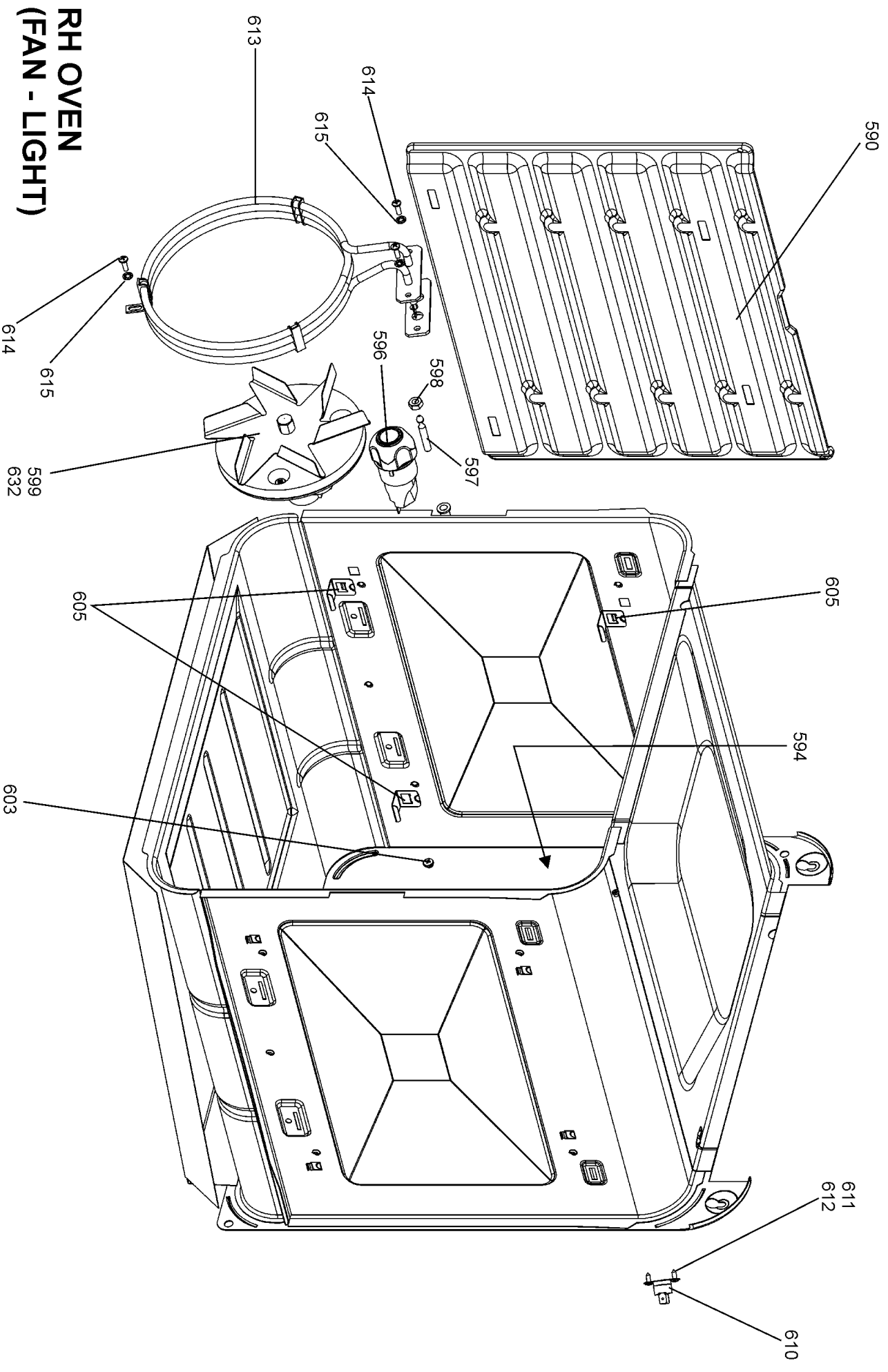


OLD from Serial No 182000 up to Serial No 185999



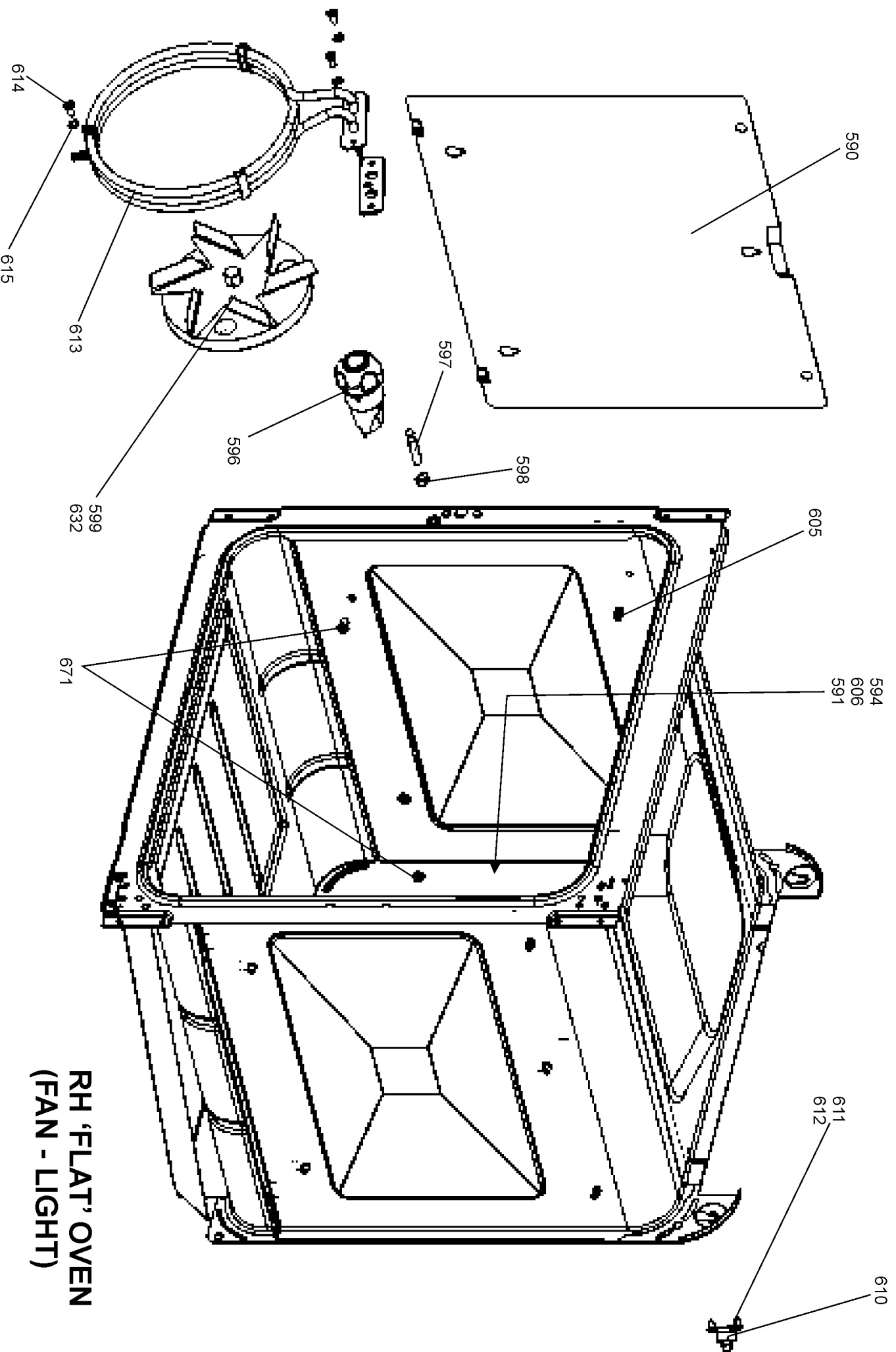
LH 'FLAT' OVEN  
(MULTI - LIGHT)

**OLD from Serial No 167000 up to Serial No 181999**



**RH OVEN  
(FAN - LIGHT)**

**OLD from Serial No 182000 up to Serial No 185999**



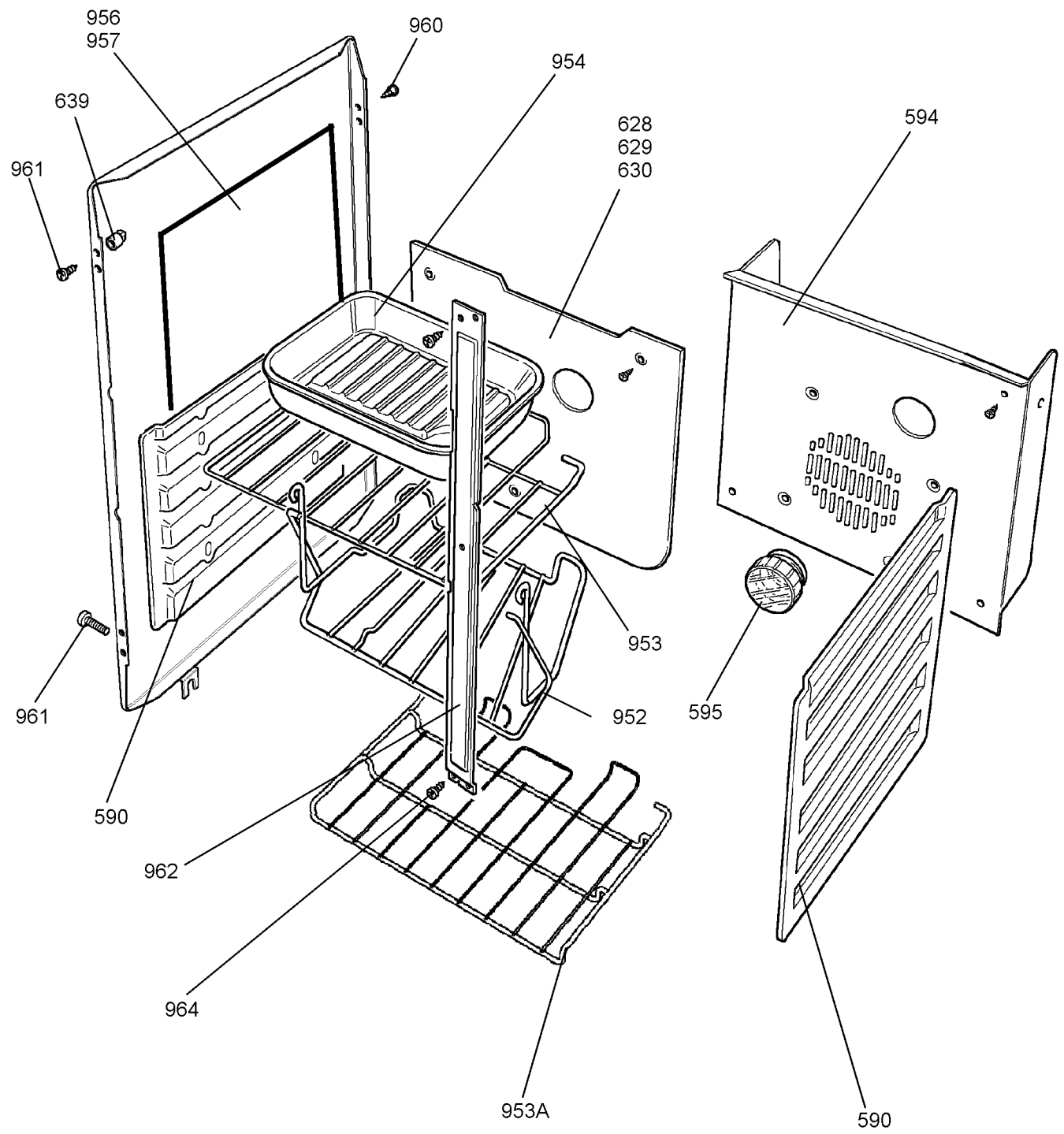
**RH 'FLAT' OVEN  
(FAN - LIGHT)**

# CLASSIC DL 110 INDUCTION OLD

DATE 16.03.16

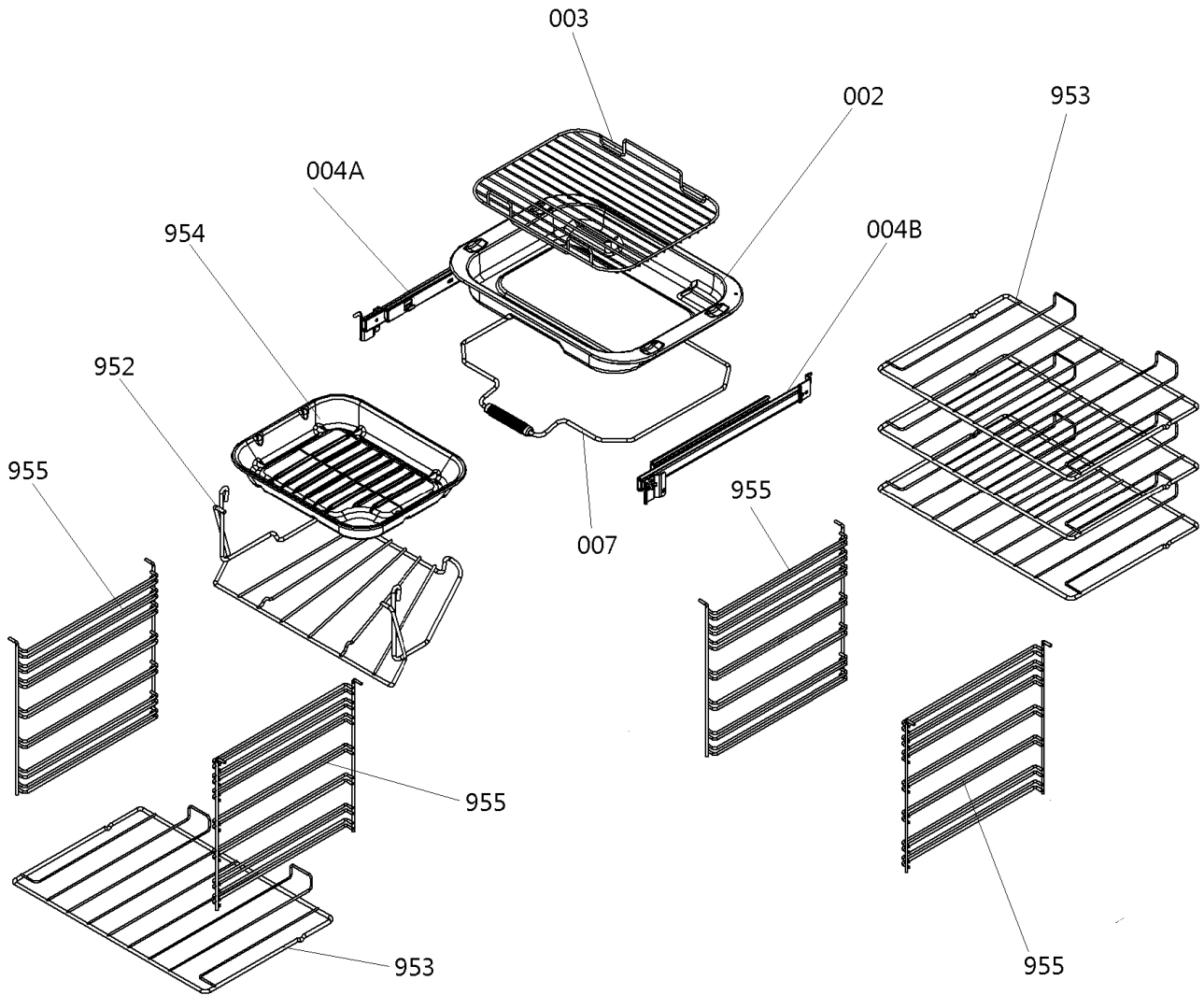
# DSL0408 P05

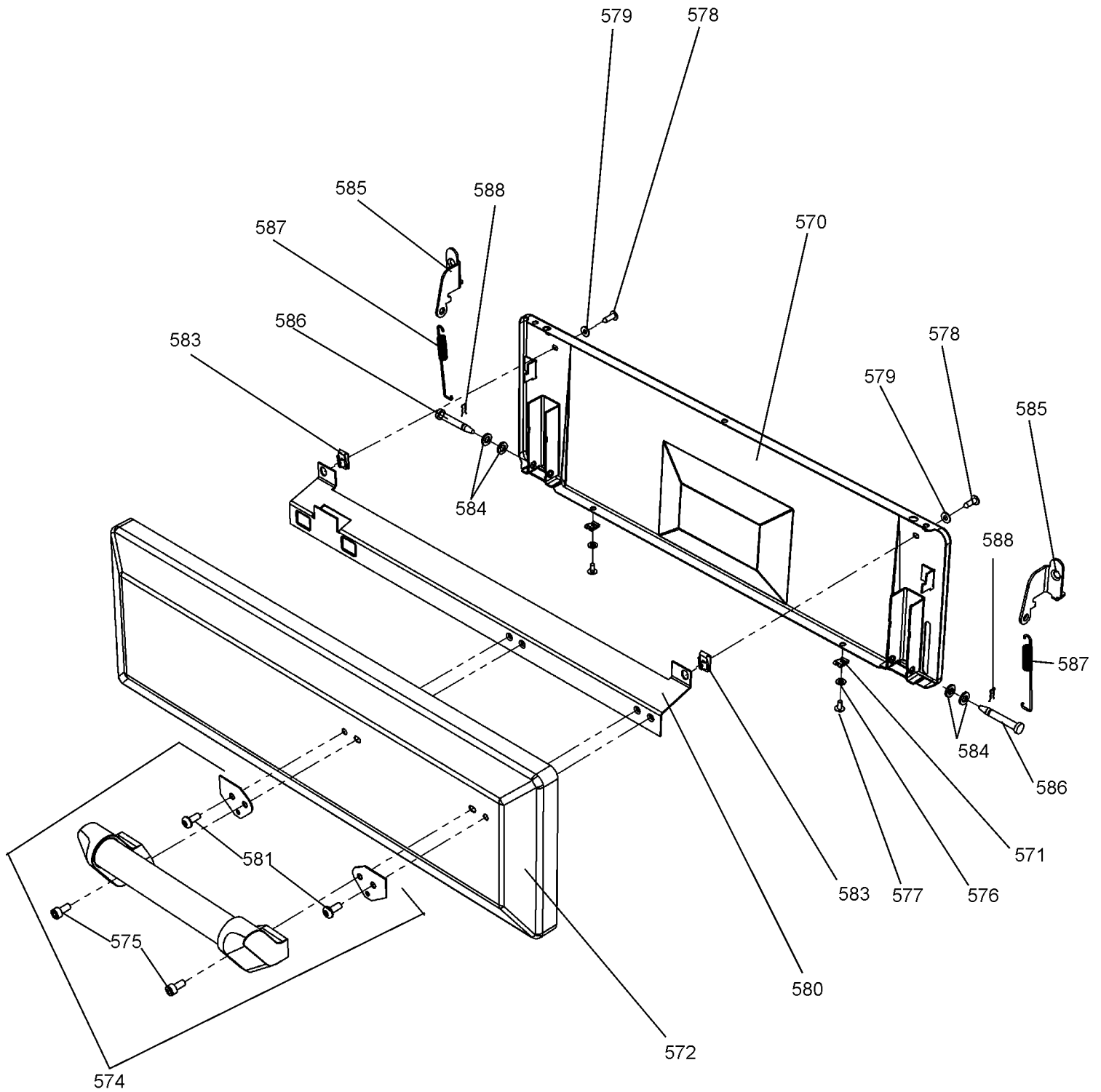
ISSUE STATUS 02



**OVEN FURNITURE SHOWN IS FOR PRODUCTS  
UP TO SERIAL NUMBER 166999**

**OLD from Serial No 182000  
up to Serial No 185999**

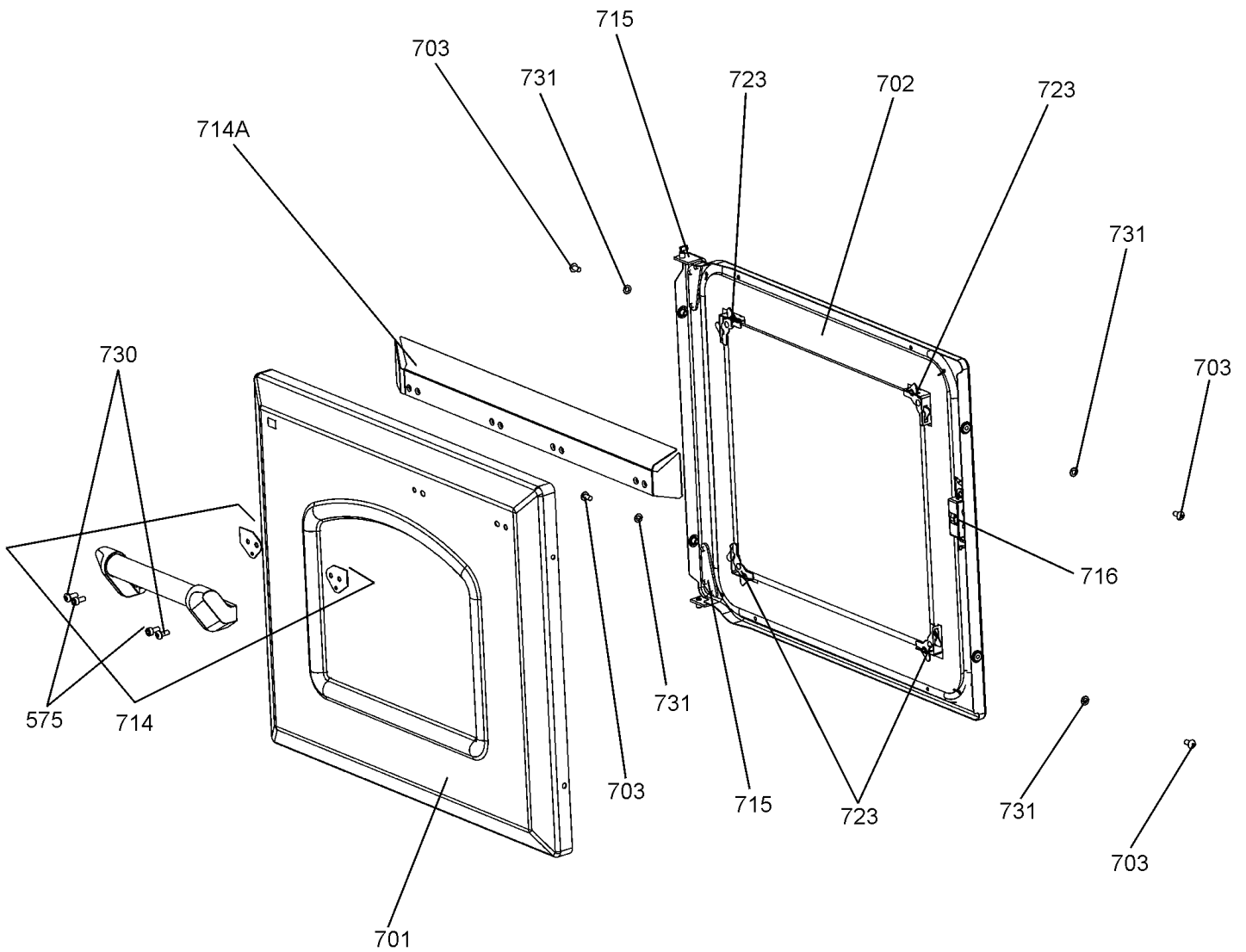




**CLASSIC DL 110 INDUCTION**  
**OLD up to Serial No 185999**

DATE 16.03.16

**DSL0408 P07**  
ISSUE STATUS 02

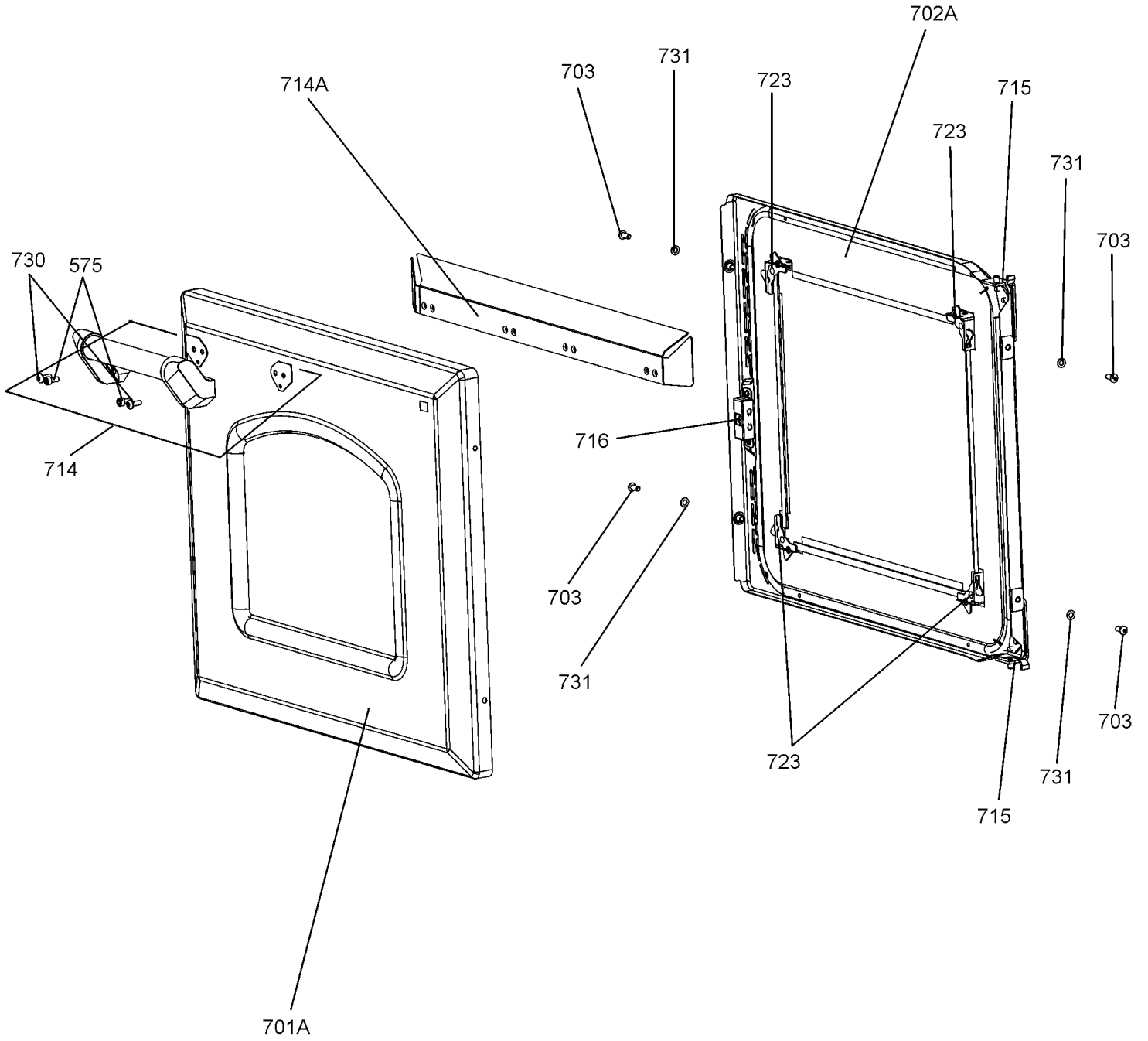


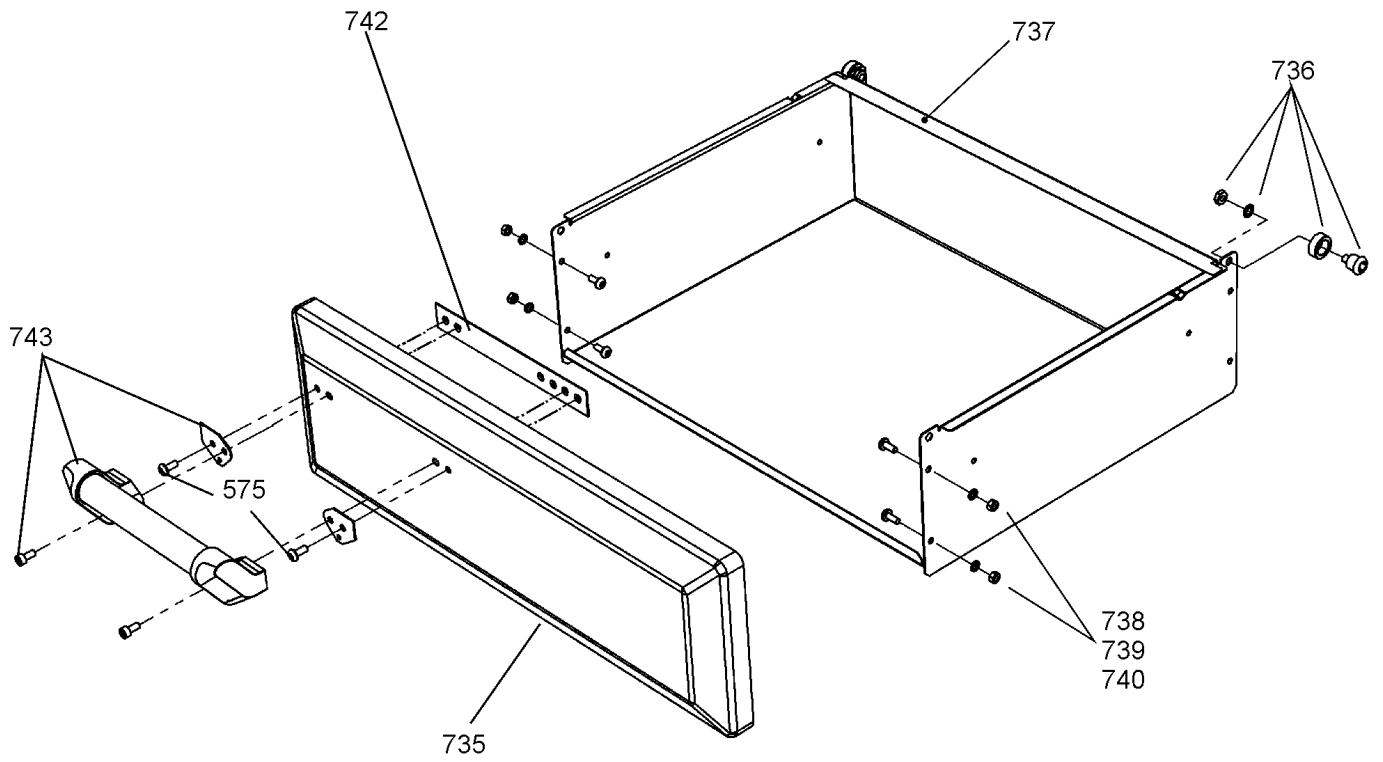


**CLASSIC DL 110 INDUCTION**  
**OLD up to Serial No 185999**

DATE 16.03.16

**DSL0408 P08**  
ISSUE STATUS 02

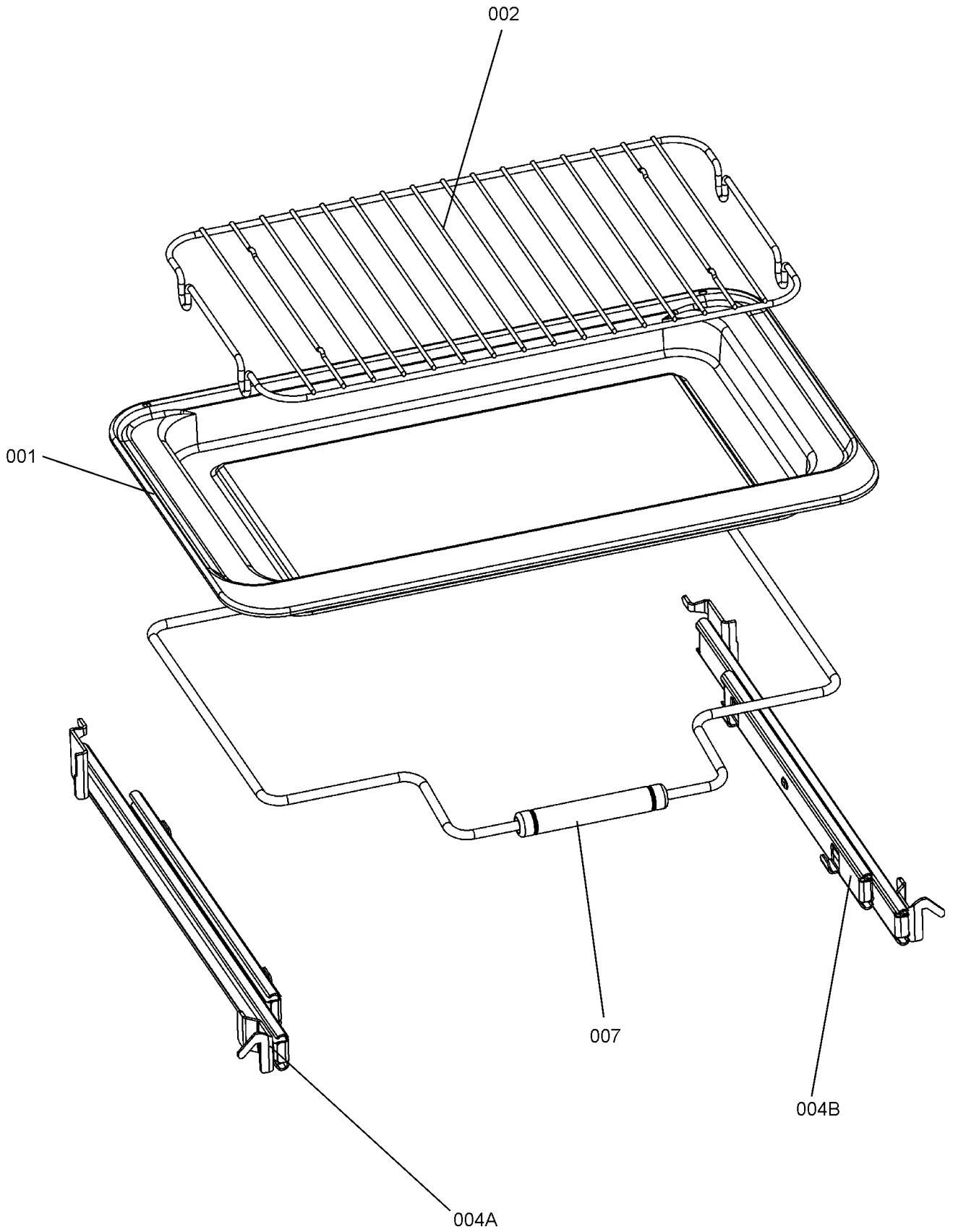




**CLASSIC DL 110 INDUCTION**  
**OLD up to Serial No 185999**

DATE 16.03.16

**DSL0408 P10**  
ISSUE STATUS 03

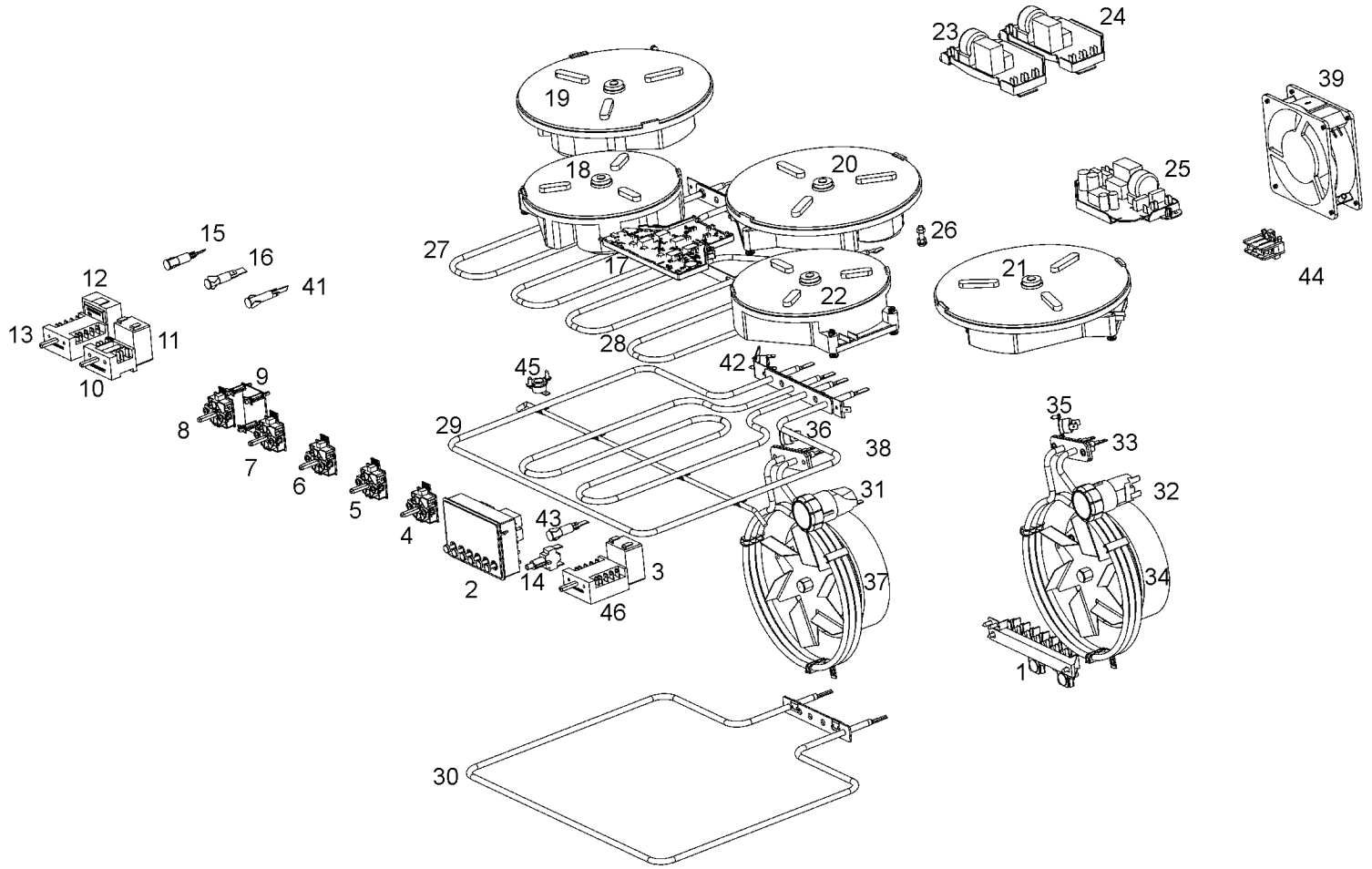


# CLASSIC DL 110 INDUCTION

## OLD up to Serial No 157999

DATE 16.03.16

**DSL0408 P11**  
ISSUE STATUS 03



### Classic DL 110 Induction

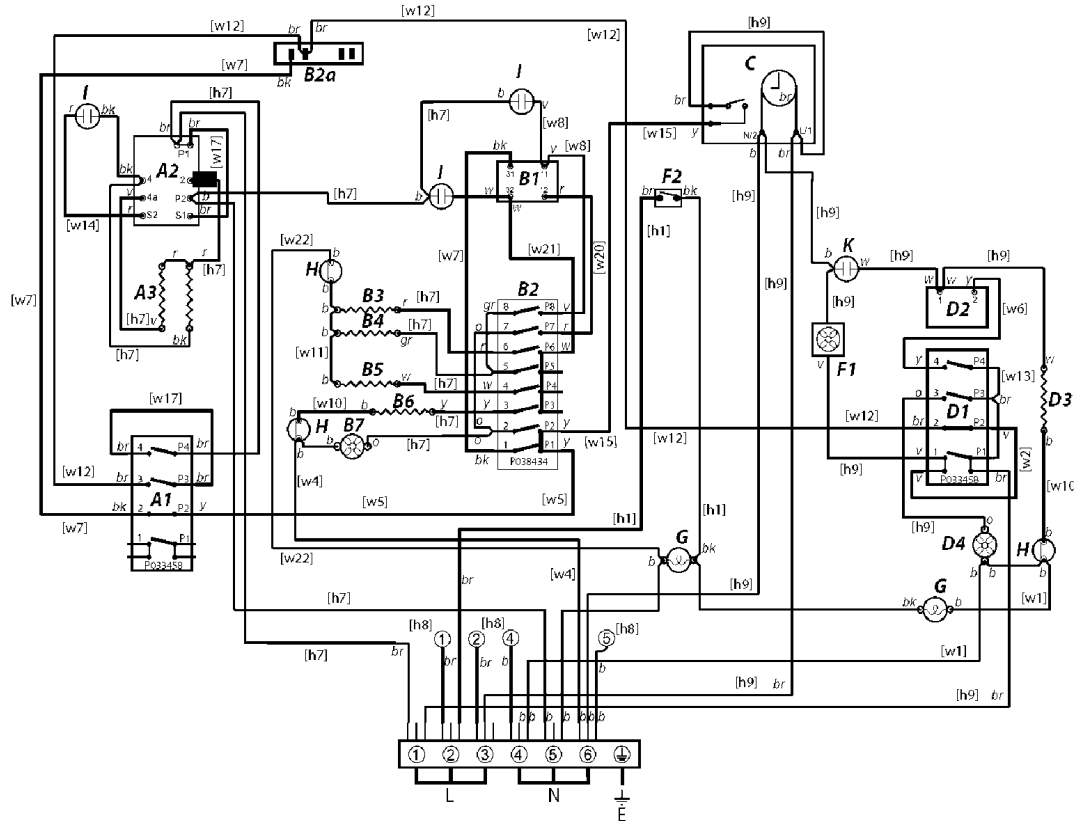
Ref	Harness	Description	Qty	Connects Components						
854	P033089	LH Oven Neutral Links	1	42	29up	29br	36	37	30	
875	P038186	Link (Triple Reg/Switch)	3	10	13		40	11		03
860	P038909	RH Oven Wiring Harness	1	01	02	03	37	43	33	34
877	P040066	Link Wire Thermal Trip (Neutral Side)	2	33	35		36	38		
858	P042859	Earth Link	1	01	31	32	33	34	37	42
866	P043934	LIN Bus Wire IHE Interconnect Wire	1	23	24					
867	P043935	LIN Bus Wire IHE Interconnect Wire	1	21	22					
870	P043936	Rotary Control Wire to Interface Board	2	08	09		07	09		
868	P043937	Rotary Control Wire to Interface Board	2	06	09		05	09		
873	P043938	Rotary Control Wire to Interface Board	4	18	19		19	24		23
869	P043939	Rotary Control Wire to Interface Board	1	04	09					
872	P043940	Rotary Control Wire to Interface Board	2	17	18		25	21		
888	P043941	Hob Supply Harness	1	01	23	24	25	26		
864	P043942	CU/Filter Board - IHE	1	23	20					
876	P043943	PE Connection Unit	3	23	01		24	01		25
863	P043944	CU/Filter Board - IHE	2	24	18		25	22		
862	P043945	CU/Filter Board - IHE	2	24	19		25	21		
859	P043963	Return Link	1	35	32	34	01			
861	P043965	Return Link	1	42	31	01				
880	P045288	Cooling Fan Link feed	1	46	44					
893	P045293	Thermostat Harness	1	02	44	45				
901	P045828	Ferrite Link	1	17	09					
887	P045980	Grill/LH Oven Harness, includes P040719	1	12	28	15	27	12	15	
890	P045982	Cooling Fan Harness	1	02	13	02	40	13	02	10

# CLASSIC DL 110 INDUCTION (G5) OLD from Serial No 158000 up to Serial No 185999

DATE 16.03.16

DSL0408 P11A

ISSUE STATUS 02



Ref Number	Part number	Colour	Quantity	Remarks
[w1]	P025995	b	1	Wire - RH Oven Neutral Link
[w2]	P033086	v	1	Wire - RH Stat Front Switch Link
[w3]	P033877	g/y	1	Wire - (NI) Earth Link LH Oven
[w4]	P036011	b	1	Wire - Neutral - MF Fan Element and Fan
[w5]	P037438	y	1	Wire - Grill Switch to MF Switch, Fan Link
[w7]	P037863	y	1	Wire - RH Oven Front Switch to Thermostat Link
[w7]	P038188	bk	2	Wire - Link MF Switch to thermostat and Link Grill Front Switch to MF Stat Front Switch
[w8]	P033367	v	1	Wire - MF Oven Neon link to Thermostat and MF Switch
[w9]	P042859	g/y	1	Wire - (NI) RH Oven Earth link
[w10]	P040066	b	2	Wire - Cut Out trip to elements neutral links
[w11]	P040894	b	1	Wire - LH Oven neutral link
[w12]	P040715	br	1	Wire - Fan Control link Front Switches
[w13]	P040718	br	1	Wire - RH Oven front Switch Link
[w14]	P040719	r	1	Wire - LH Oven Neon Link
[h1]	P040760	br/bk	1	Harness - Light Switch Links
[h2]	P043936	br	1	Harness - LIN Rotary Control 3
[h3]	P043937	br	1	Harness - LIN Rotary Control 4
[h4]	P043939	br	3	Harness - LIN Rotary Control 1, 2 and 5
[w15]	P048632	y	1	Wire - LH MF Oven to Clock Link
[h5]	P051766	br	1	Harness - LIN K6 to Interface Board
[h6]	P051839	br/b/g/y	1	Harness - Connector to Induction Hob Unit
[w16]	P052073	g/y	1	Wire - (NI) Protective Earth Hob to Chassis
[h7]	P052839	bk/v/br/b/br/g/r/w/or	1	Harness - LH Oven and GRILL Control
[w17]	P055344	br	2	Wire - Grill Energy Reg link and Grill Front Switch Link
[w18]	P055374	g/y	2	Wire - (NI) Grill Earth Links
[h8]	P052814	br/b/g/y	1	Harness - Induction Hob Supply G5 2 Phase
[h9]	P059324	br/b/or/v/w	1	Harness - RH Oven Harness
[w19]	P094943	g/y	2	Wire - (NI) LH and RH Thermostat Earth Link
[w20]	P040719	r	1	Wire - Rapid Heat Thermostat to MF Switch Link
[w21]	P095565	w	1	Wire - MF Neon to Thermostat Switch Link
[w22]	P036010	b	1	Wire - Neutral - MF Top Element and Light

Code	Colour
b	Blue
br	Brown
bk	Black
or	Orange
r	Red
v	Violet
w	White
y	Yellow
g/y	Green/Yellow
gr	Grey

NI Not Illustrated

w - Single Cable / Single Cable w/ multiple terminations

h - Harness Assembly (Including Single Wires that are Sheathed)

Code	Description
D1	Right Hand Oven Front Switch
D2	Right Hand Oven Thermostat
D3	Right-Hand Fan Oven element
D4	Right-Hand Oven fan
F1	Cooling Fan
F2	Ovens Light Switch
G	Oven Light(s)
H	Thermal cut-out
I	Neon

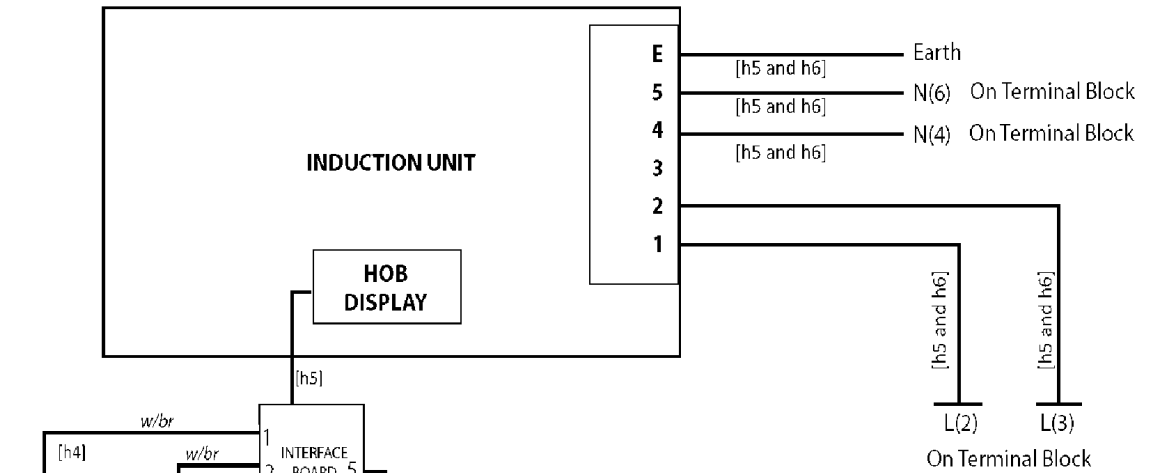
Code	Description
A1	Grill Front Switch
A2	Grill Energy Regulator
A3	Grill Elements
B1	Multi Function Oven Thermostat (Rapid Heat)
B2	Multi Function Oven Switch
B2a	Multi Function Oven Thermostat Front Switch
B3	Multi-function Oven Thermostat
B4	Multi-function oven top element (outer pr.)
B5	Multi-function oven top element (inner pr.)
B6	Multi Function Fan Element
B7	Multi-function Oven fan
C	Clock / Oven Function Timer

# CLASSIC DL 110 INDUCTION (G5) OLD from Serial No 158000 up to Serial No 185999

DATE 16.03.16

**DSL0408 P11B**

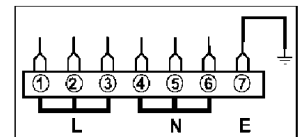
ISSUE STATUS 02



### KEY

1	Front left
2	Rear left
3	Rear right
4	Front right
5	Centre
w/br	White or Brown

Ref Number	Part number	Colour	Quantity	Remarks
[h4]	P043939	br	3	Harness - Rotary Control 1,2 and 5
[h3]	P043937	br	1	Harness - Rotary Control 4
[h2]	P043936	br	1	Harness - Rotary Control 3
[h5]	P051766	br	1	Harness - LIN Connection K8 to Interface Board
[h6]	P051839	br/b/g	1	Harness - MAINS POWER - CONNECTOR BLOCK - INDUCTION UNIT
[h8]	P052814	br/b/g	1	Harness - MAINS POWER - TERMINAL BLOCK - CONNECTOR BLOCK



110 cm  
INDUCTION UNIT