

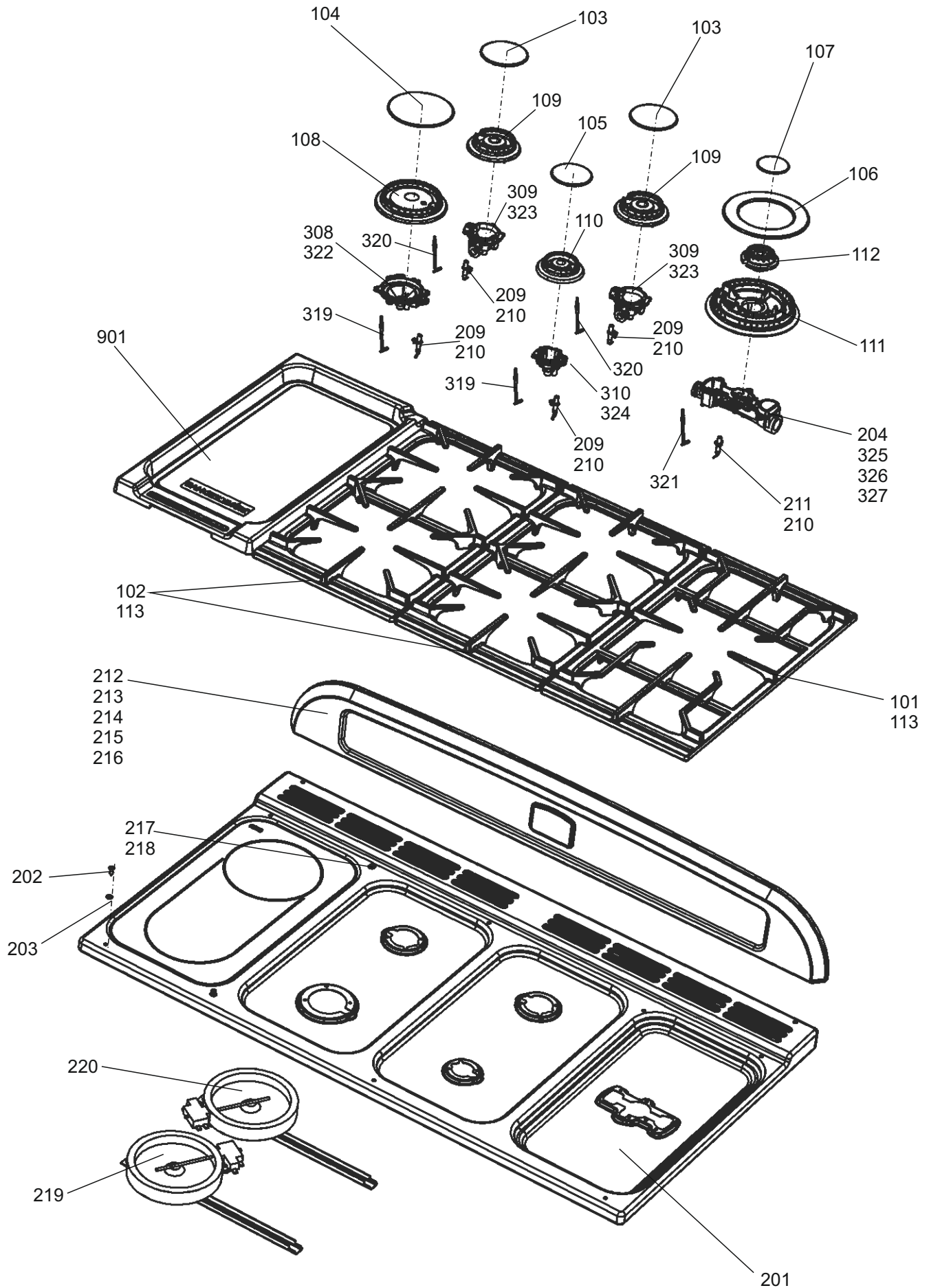
CLASSIC DELUXE 110 DF
NEW from Serial No 186000

DSL0667 P00
DATE 25.02.16 ISSUE STATUS 001



CLASSIC DELUXE 110 DF
NEW from Serial No 186000

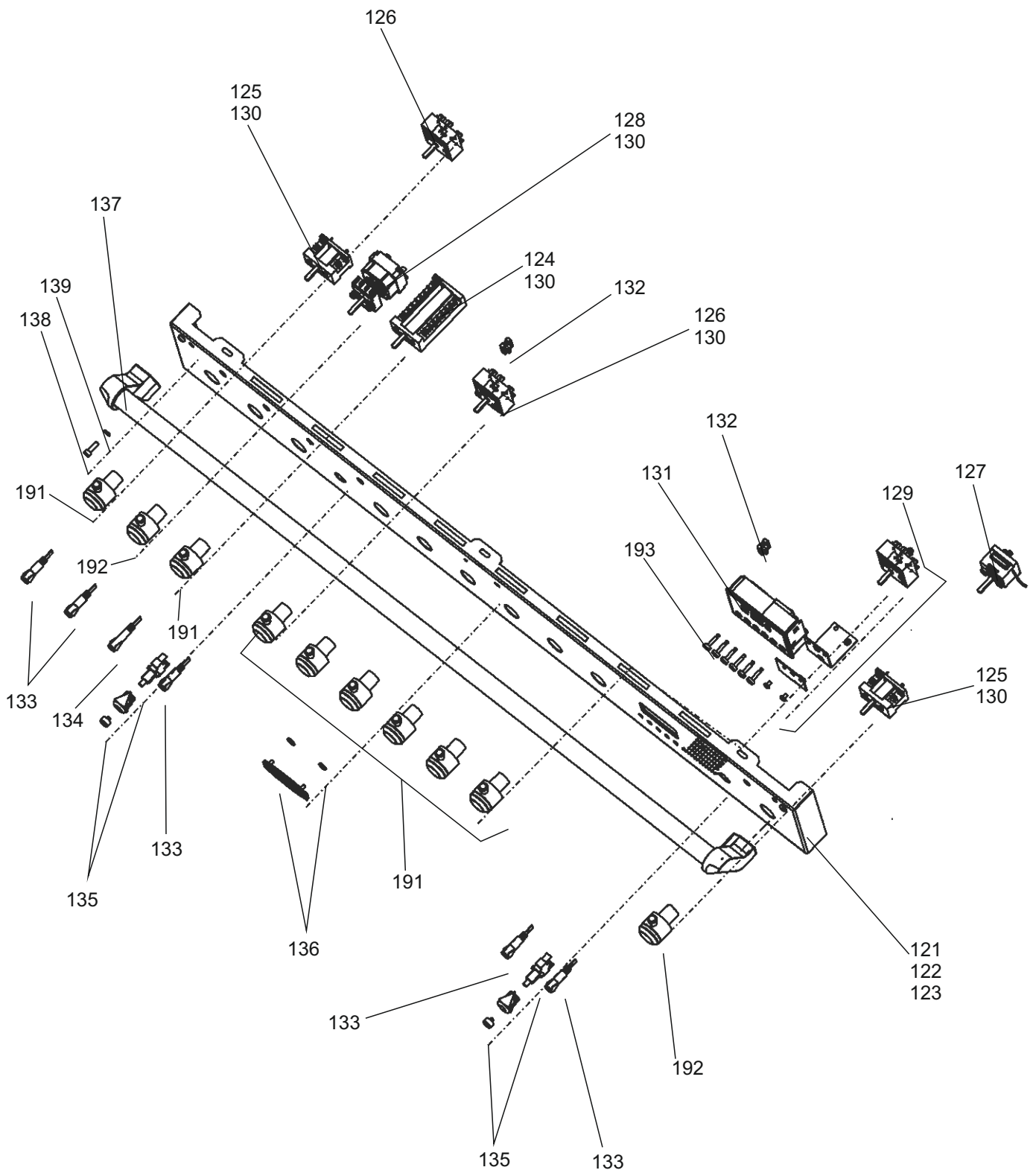
DSL0667 P01
DATE 24.02.16 ISSUE STATUS 001



HOB - PAN SUPPORTS AND BURNERS

CLASSIC DELUXE 110 DF
NEW from Serial No 186000

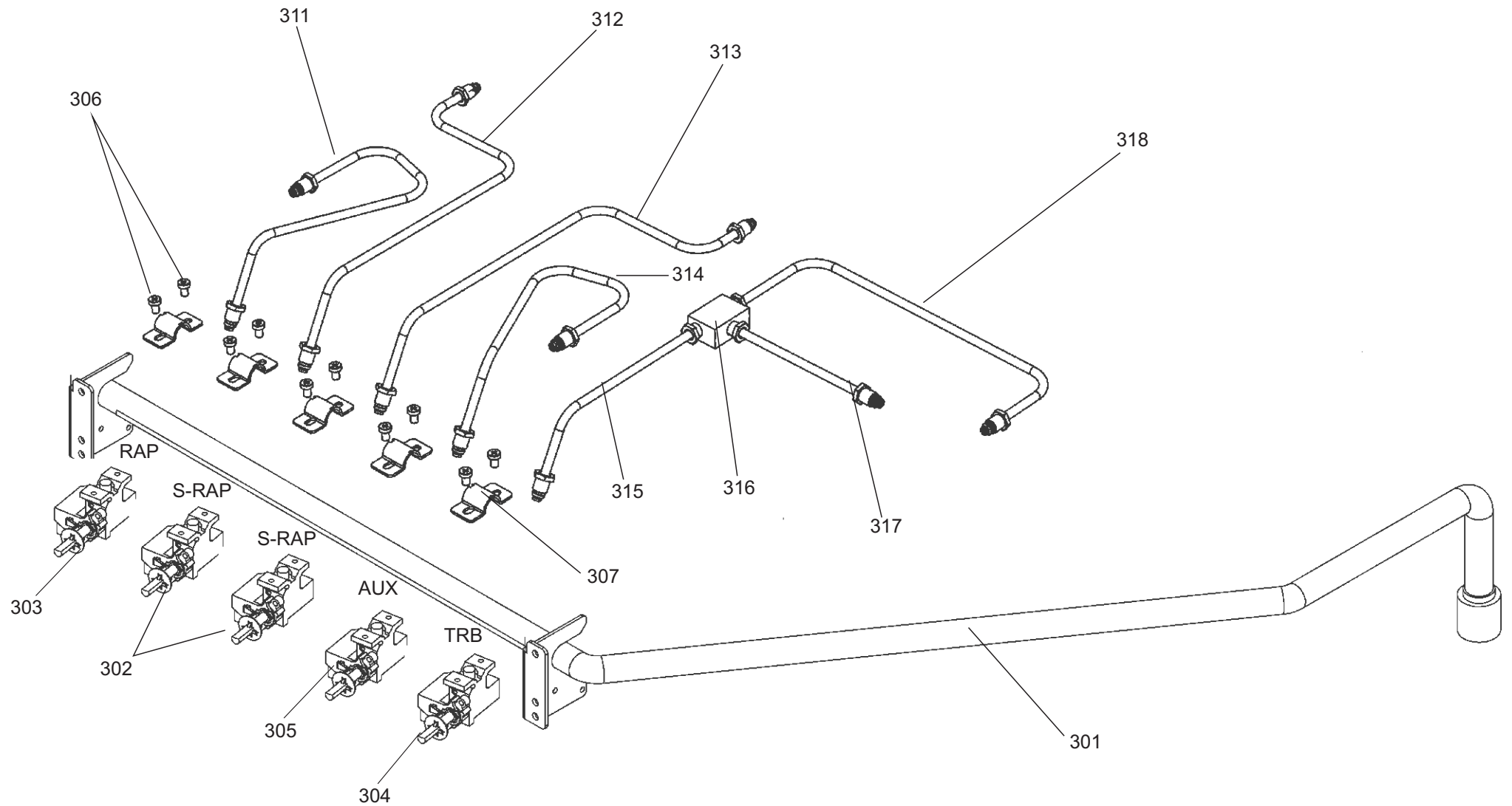
DSL0667 P02
DATE 25.02.16 ISSUE STATUS 001



CONTROLS ASSEMBLY

CLASSIC DELUXE 110 DF
NEW from Serial No 186000

DSL0667 P03
DATE 25.02.16 ISSUE STATUS 001



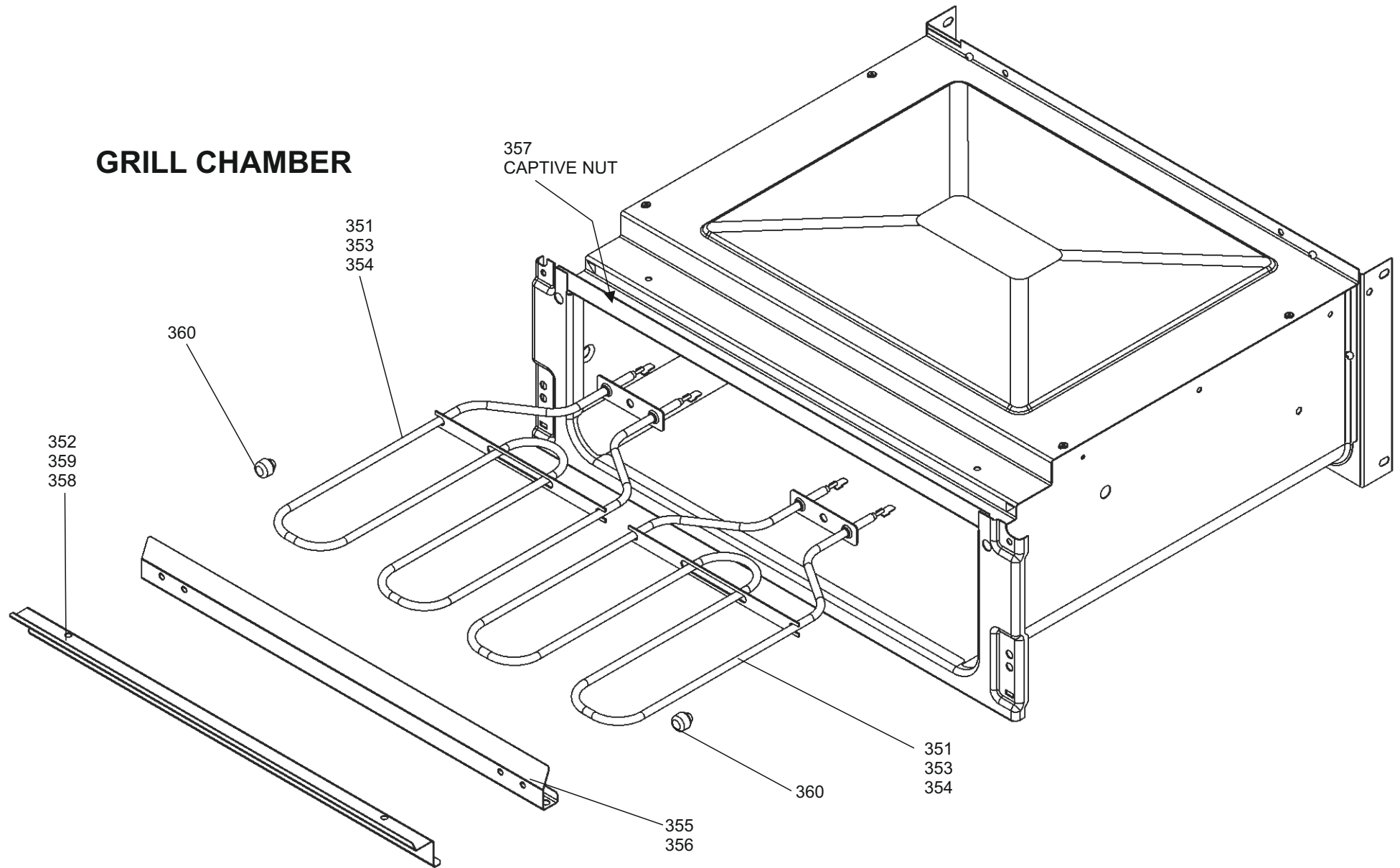
GAS RAIL - BURNERS - INJECTORS AND PIPE ASSY

CLASSIC DELUXE 110 DF
NEW from Serial No 186000

DATE 25.02.16 ISSUE 01

DSL0667 P04

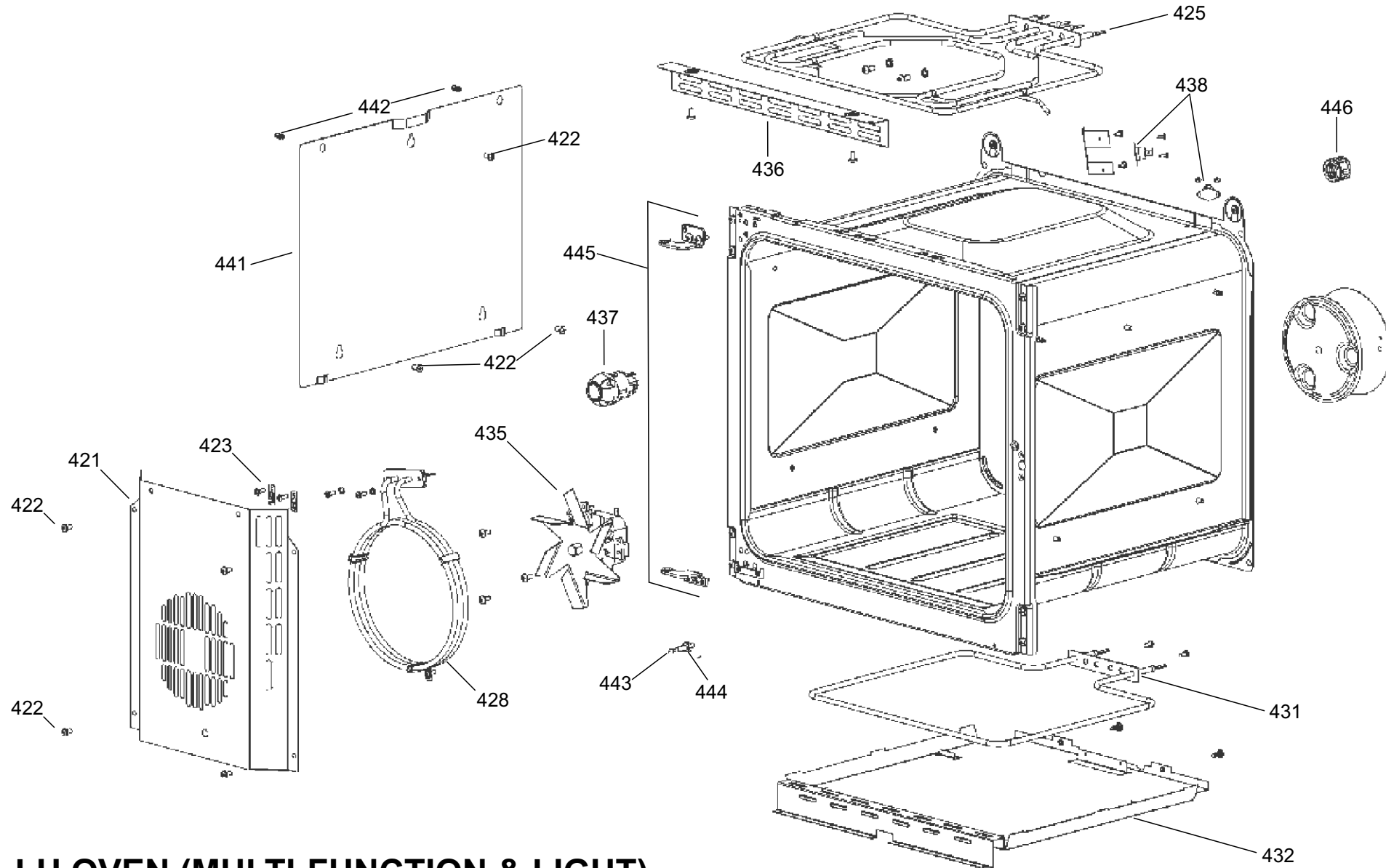
GRILL CHAMBER



CLASSIC DELUXE 110 DF
FROM SERIAL NO: 203000

DATE: 17.10.2018

DSL0667 P05A
ISSUE: 01

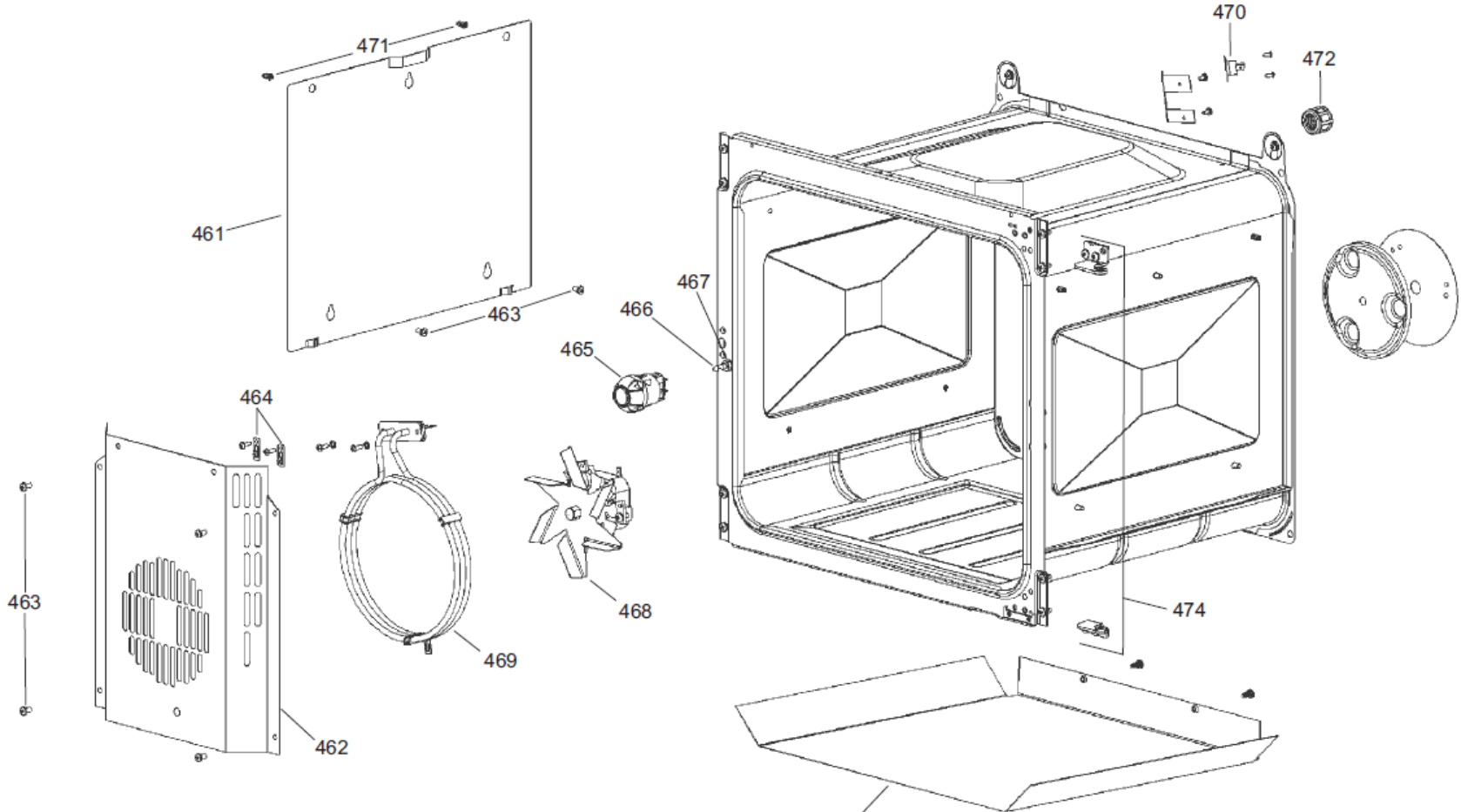


LH OVEN (MULTI-FUNCTION & LIGHT)

CLASSIC DL 110 DF

DATE: 17.10.2018

DSL0667 P06A
ISSUE 01



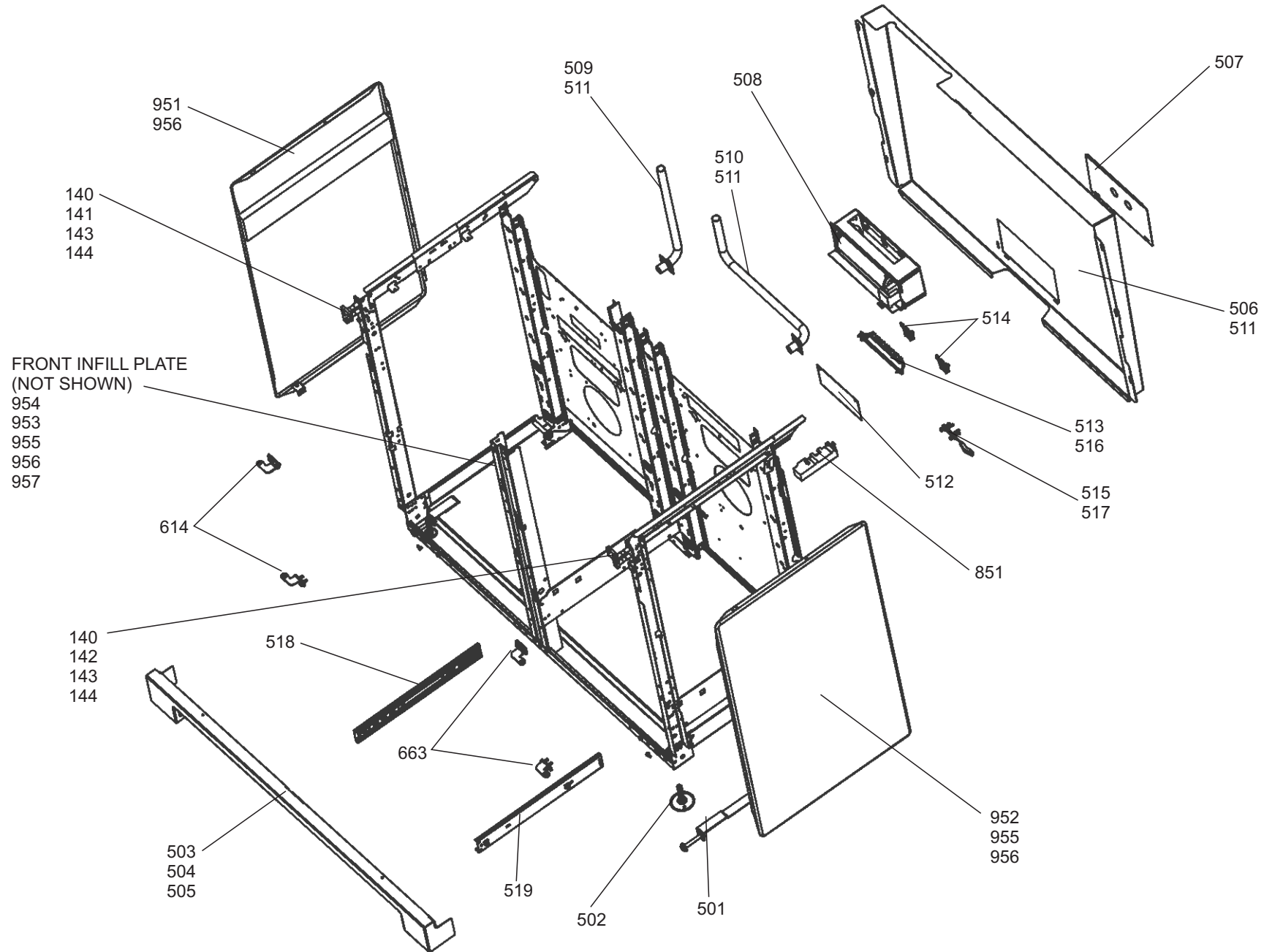
RIGHT HAND OVEN (FANNED & LIGHT)

CLASSIC DELUXE 110 DF
NEW from Serial No 186000

DATE 25.02.16

ISSUE STATUS 01

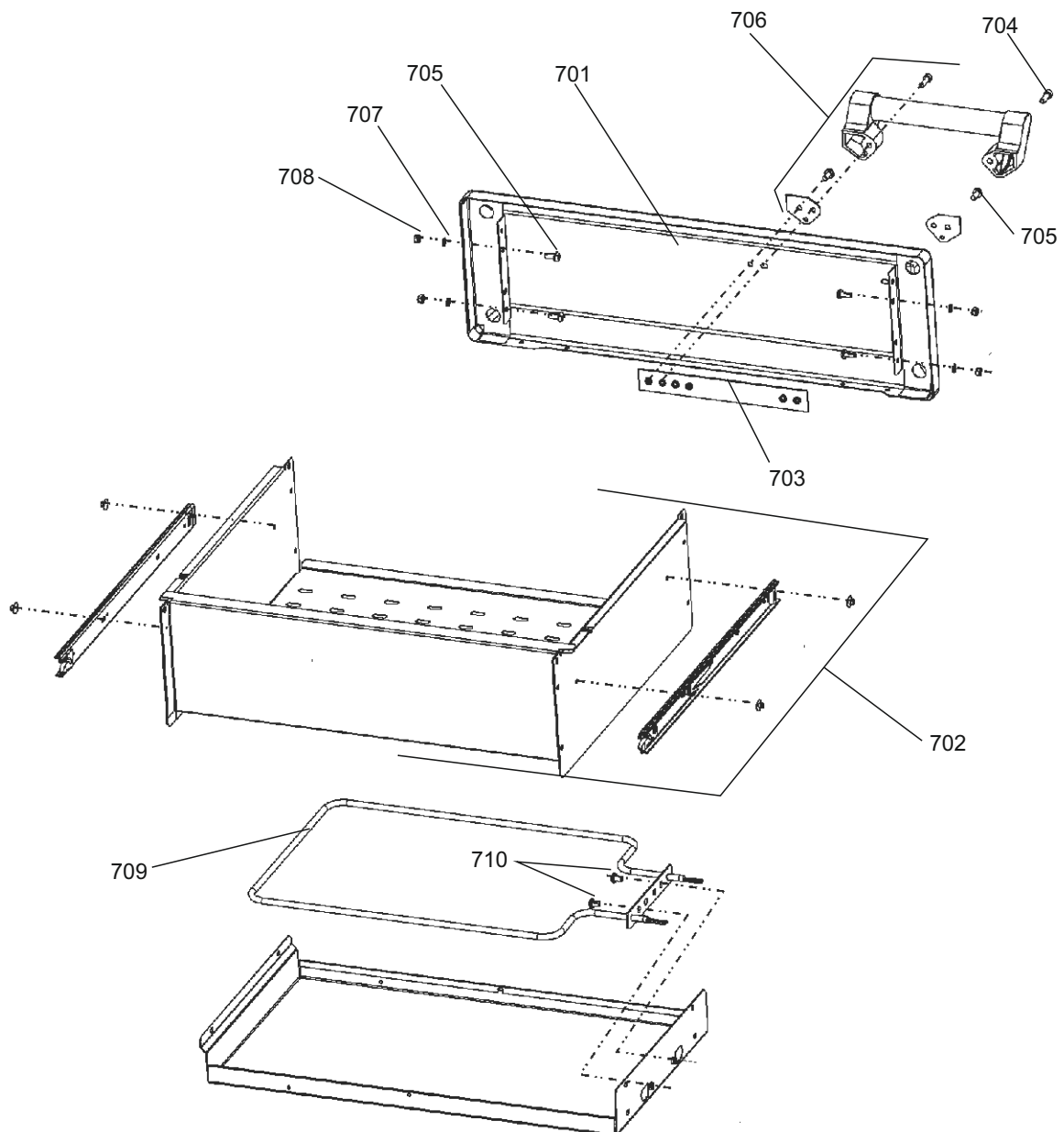
DSL0667 P07



CHASSIS AND INFILL PLATE

CLASSIC DELUXE 110 DF NEW
from Serial No 186000

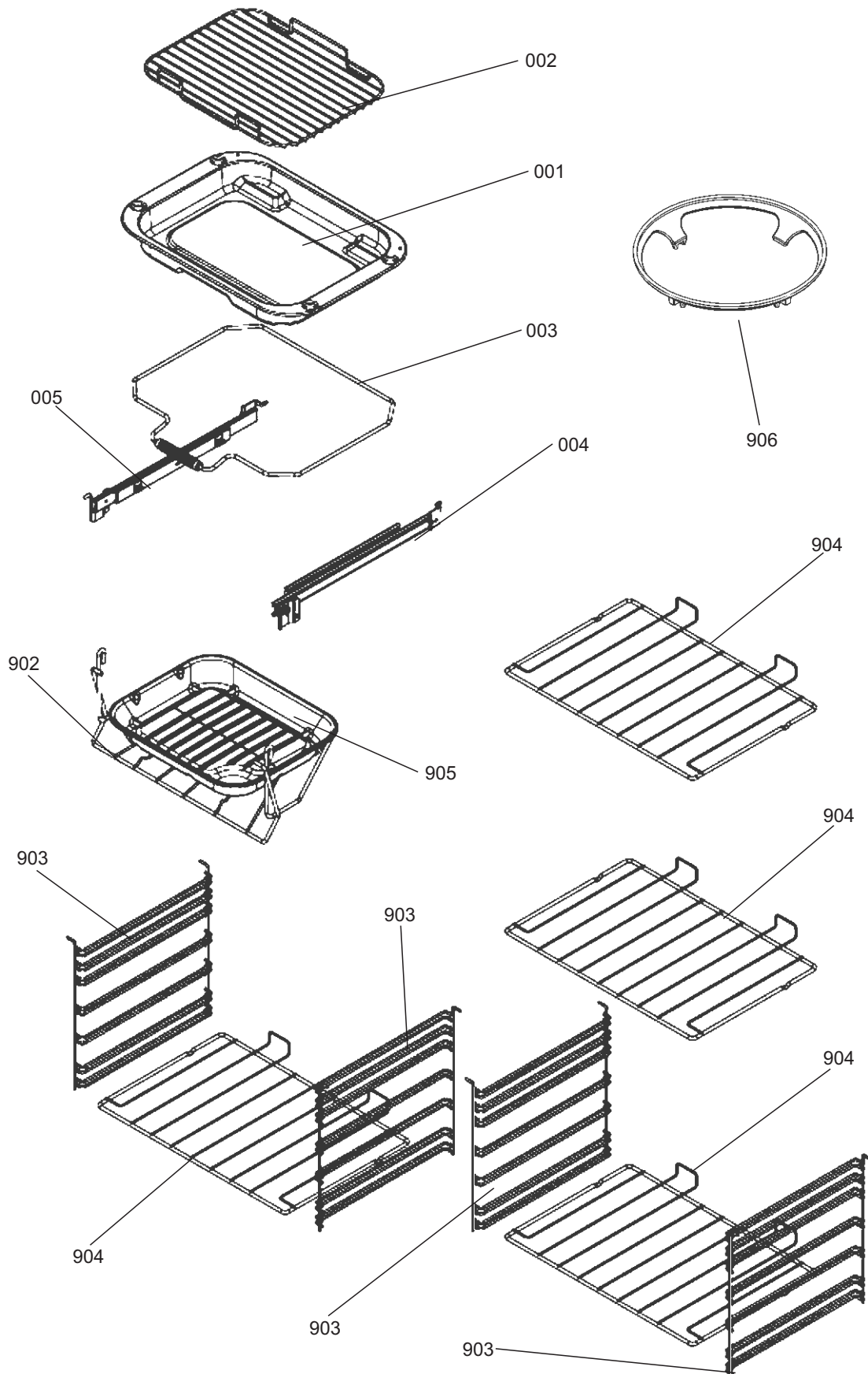
DSL0667 P08
DATE 25.02.16 ISSUE STATUS 01



BREAD PROVING DRAWER

CLASSIC DELUXE 110 DF
NEW from Serial No 186000

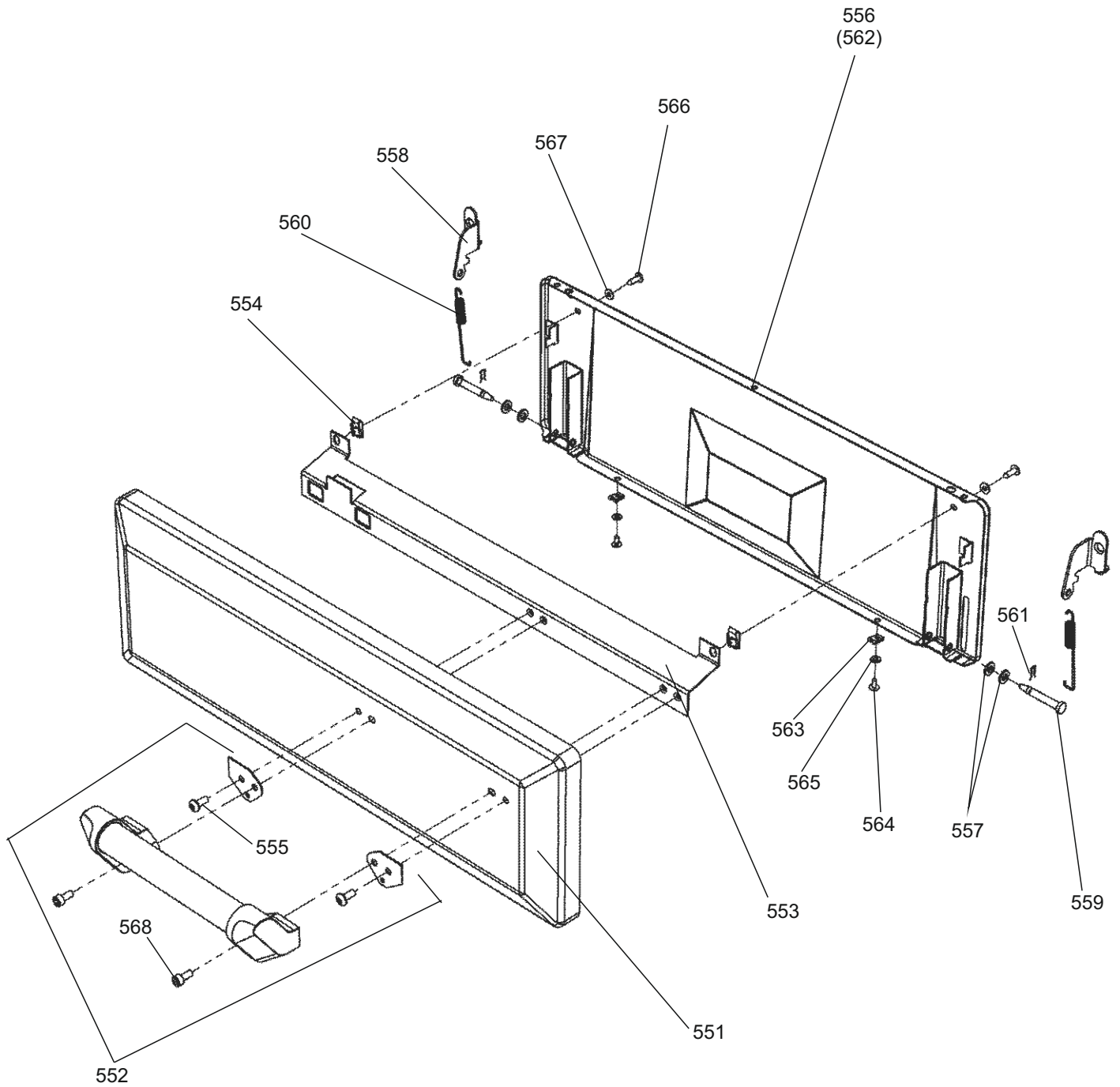
DSL0667 P09
DATE 24.06.16 ISSUE STATUS 02



ACCESSORIES AND GRILL PAN

DSL0667 P10

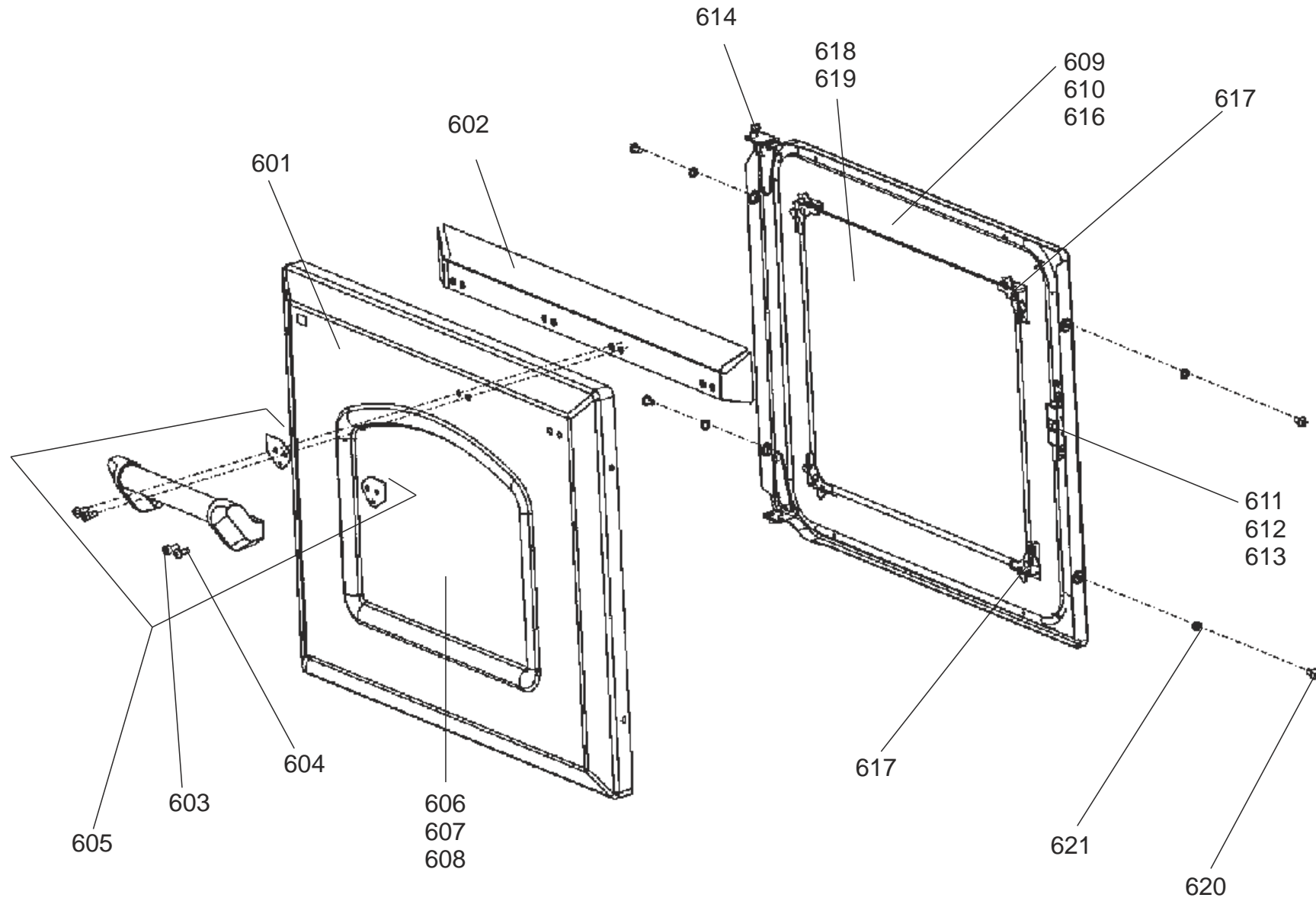
DATE 25.02.16 ISSUE STATUS 01



GRILL DOOR

CLASSIC DELUXE 110 DF
NEW from Serial No 186000

DSL0667 P11
DATE 25.02.16 ISSUE STATUS 01



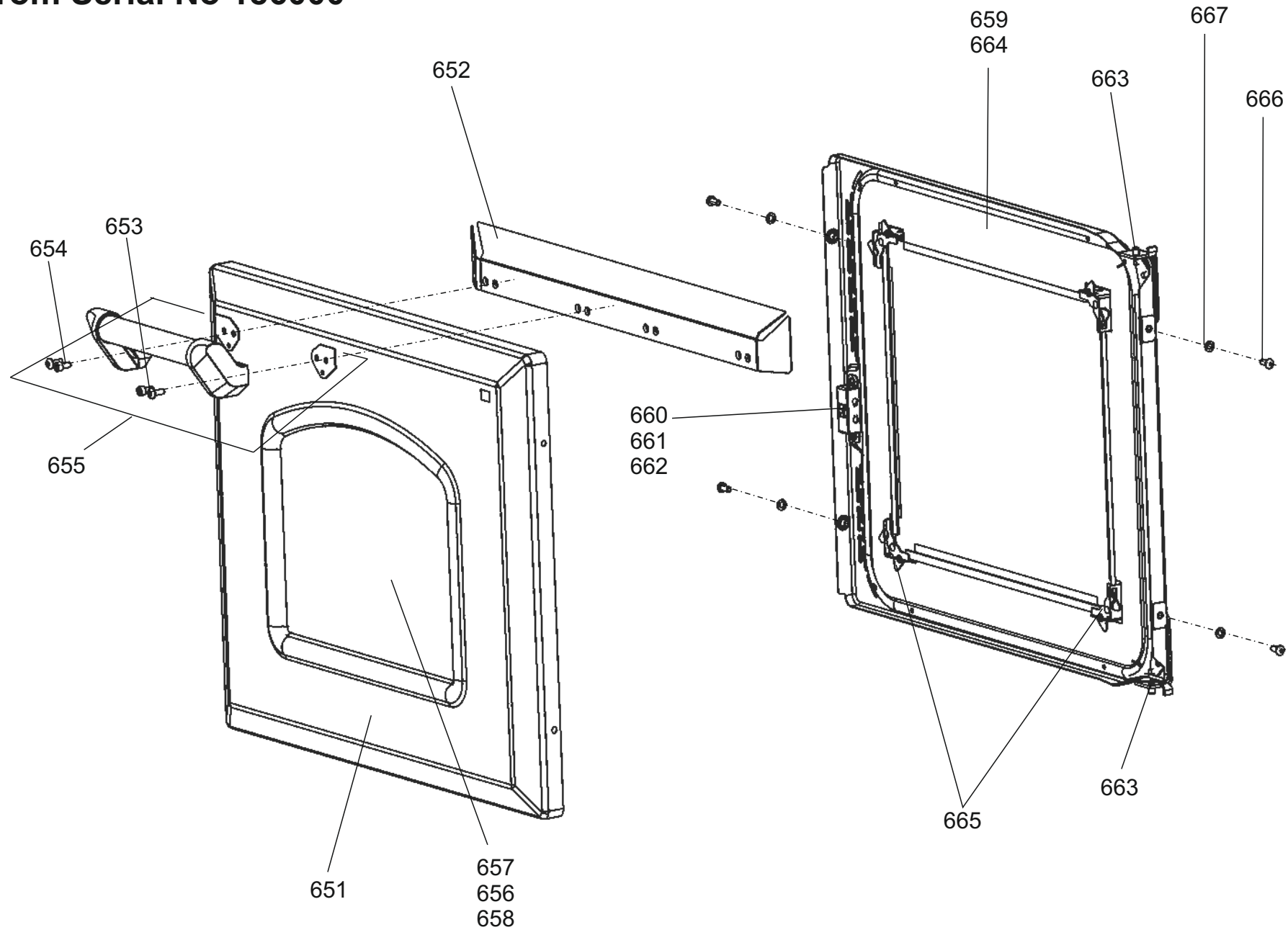
LH OVEN DOOR

CLASSIC DELUXE 110 DF
NEW from Serial No 186000

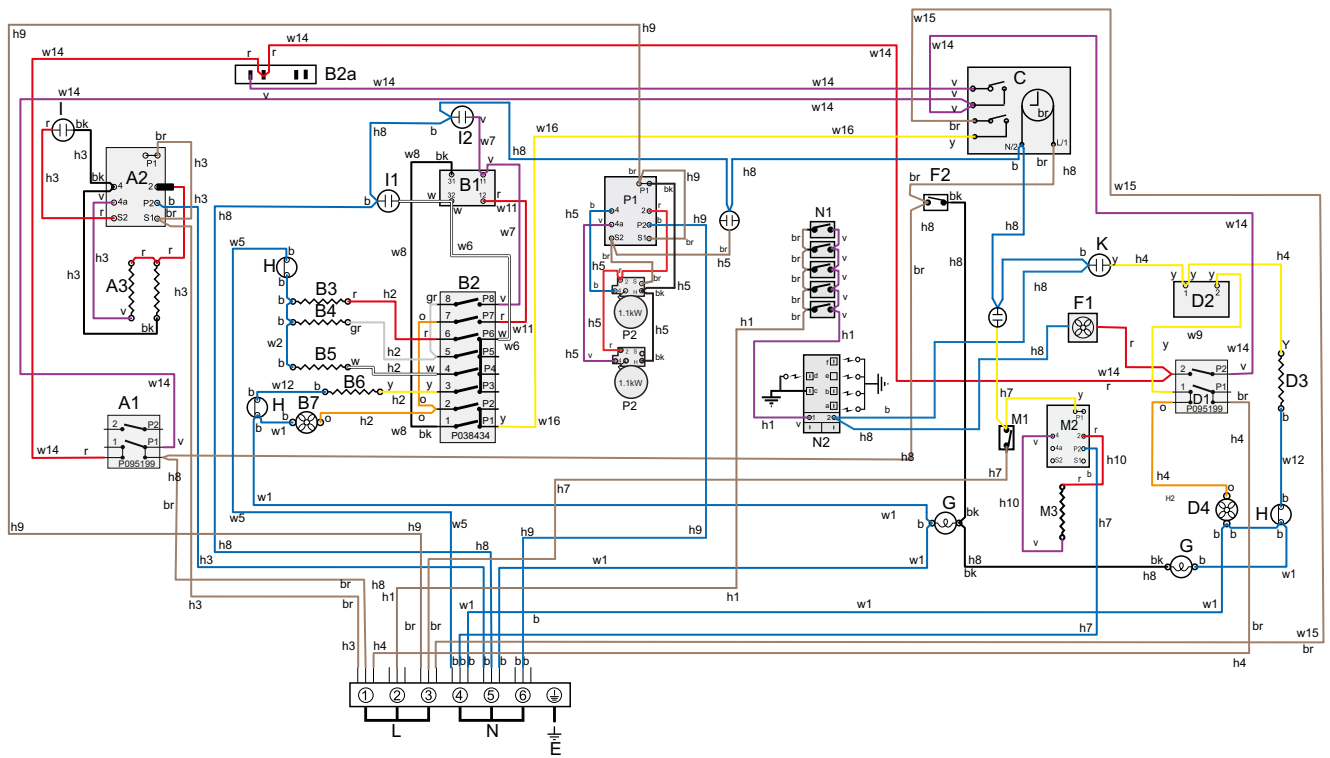
DSL0667 P12

DATE 25.02.16

ISSUE STATUS 01



RH OVEN DOOR



Code	Description
b	Blue
br	Brown
bk	Black
or	Orange
r	Red
v	Violet
w	White
y	Yellow
g/y	Green / Yellow

Code	Description
A1	Grill Front Switch
A2	Grill Energy Regulator
A3	Grill Elements
B1	Left Hand Oven Thermostat
B2	Left Hand Oven Control
B2a	Left Hand Oven Thermostat Front Switch
B3	Left Hand Oven Base Element
B4	Left Hand Oven Top Element Outer Pair
B5	Left Hand Oven Top Element Inner Pair
B6	Left Hand Oven Fan Element
B7	Left Hand Oven Fan
C	Clock / Timer
D1	Right Hand Fan Oven Control
D2	Right Hand Fan Oven Thermostat
D3	Right Hand Fan Oven Element
D4	Right Hand Fan Oven Fan

Code	Description
F1	Cooling Fan
F2	Oven Light Switch
G	Oven Light(s)
H	Thermal Cut-Out
I	Grill Neon
I1	Left Hand Oven Neon
I2	Rapid Heat Neon
K	Right Hand Oven Neon
M1	Proving Drawer Switch
M2	Proving Drawer Energy Regulator
M3	Proving Drawer Element
N1	Ignition Switches
N2	Ignition Spark Generator
P1	Hob Energy Regulator
P2	Hob Element