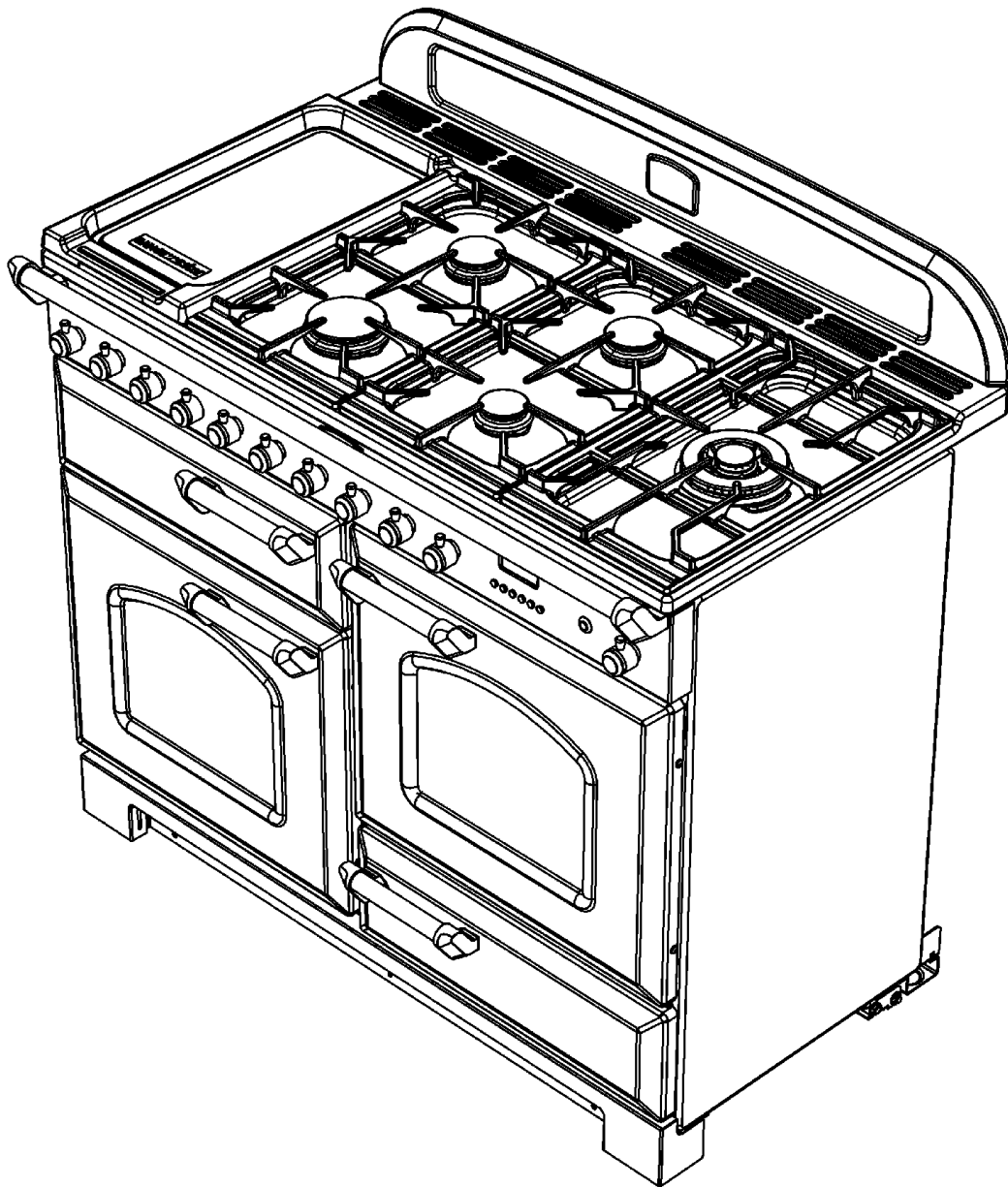
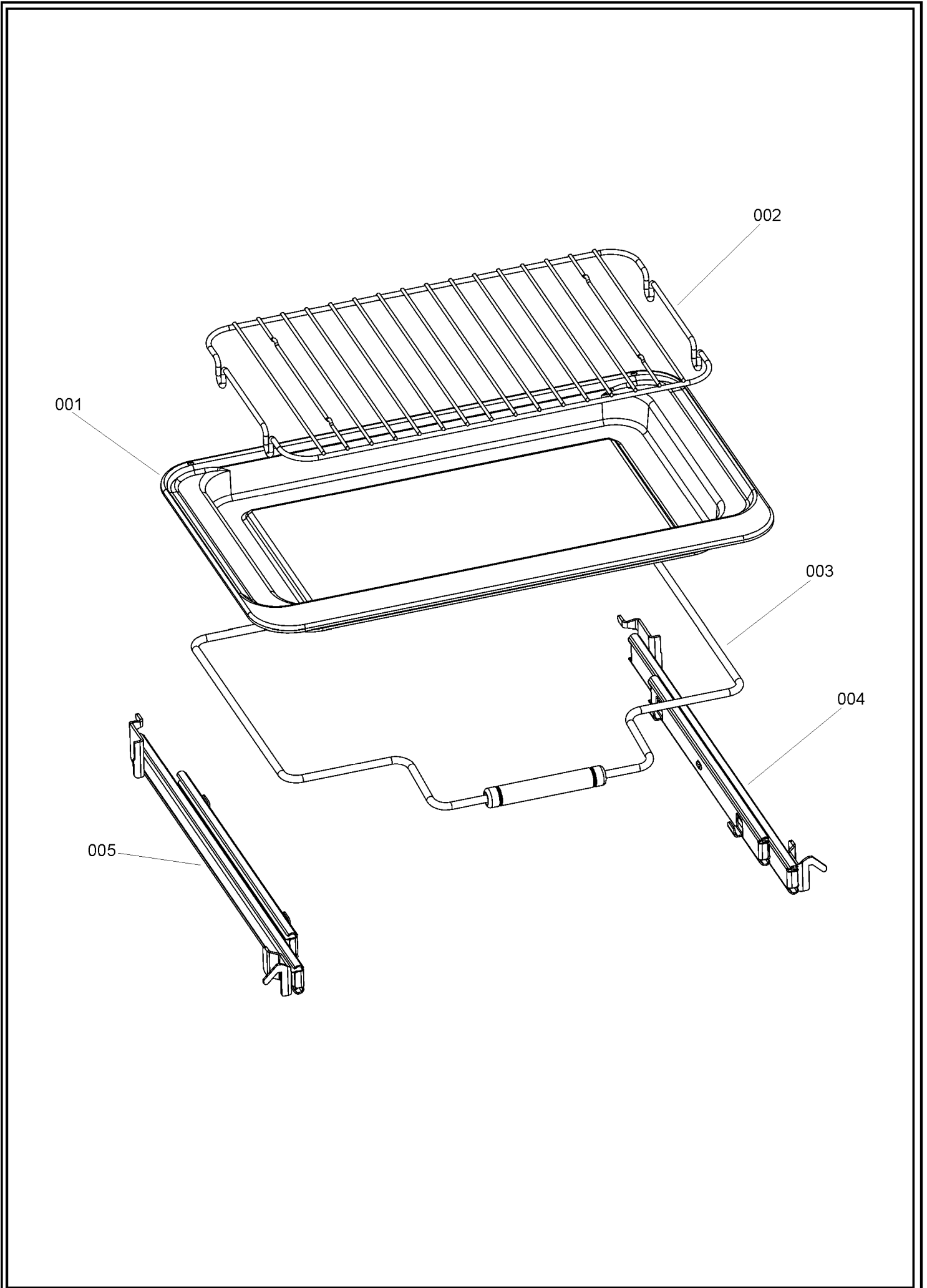
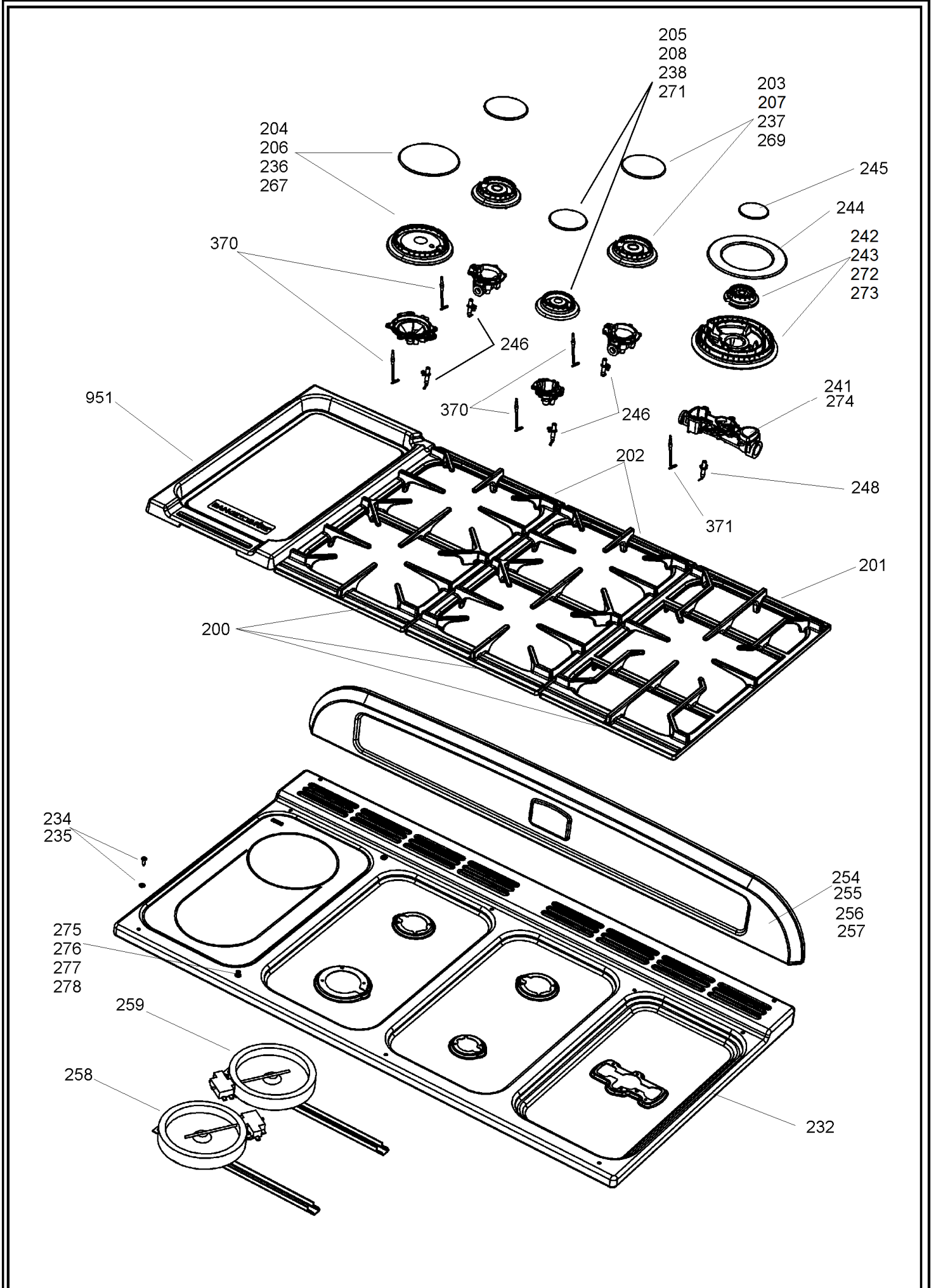


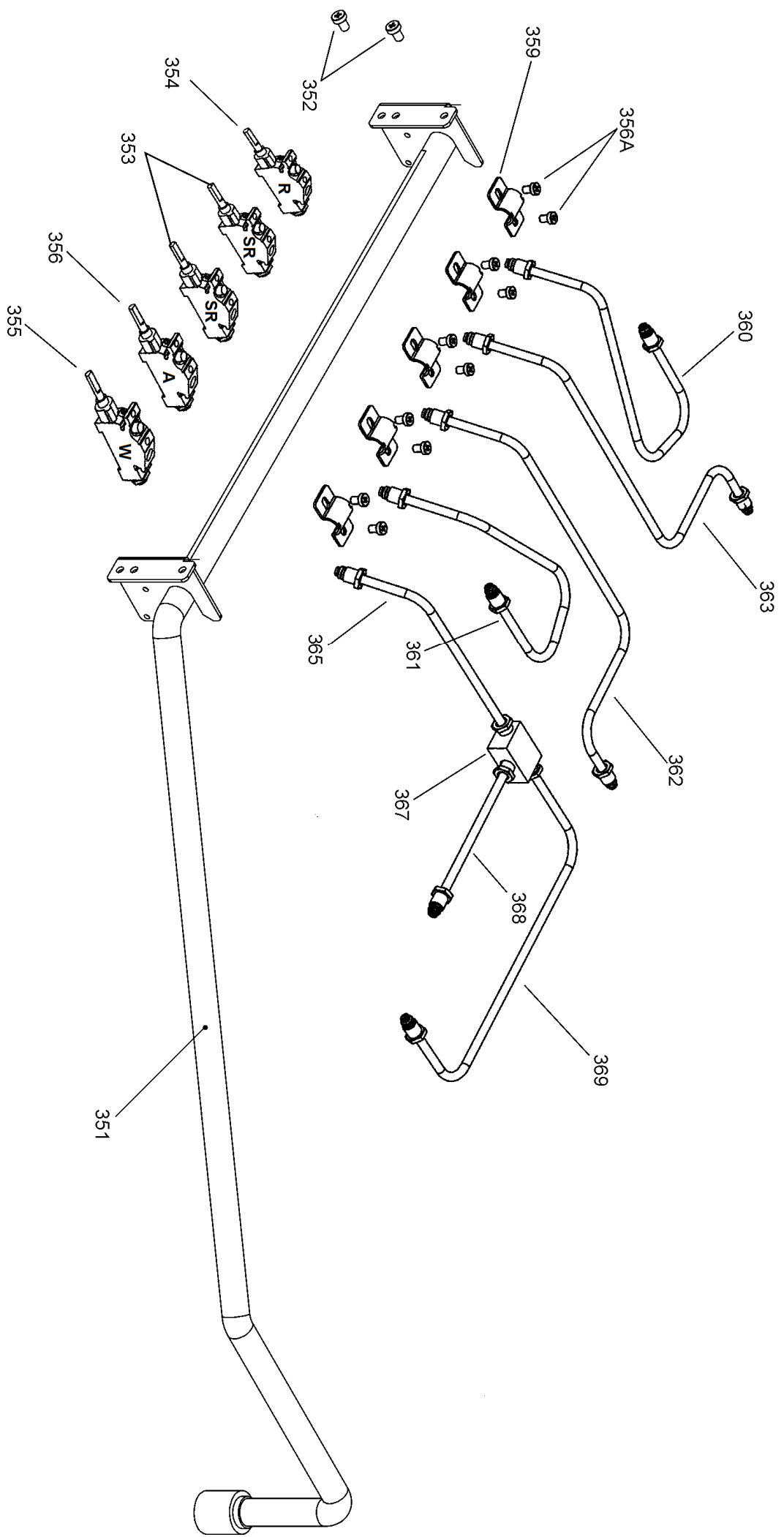
APPLIANCE NAME:
FALCON CLASSIC DELUXE
110 DF FSD

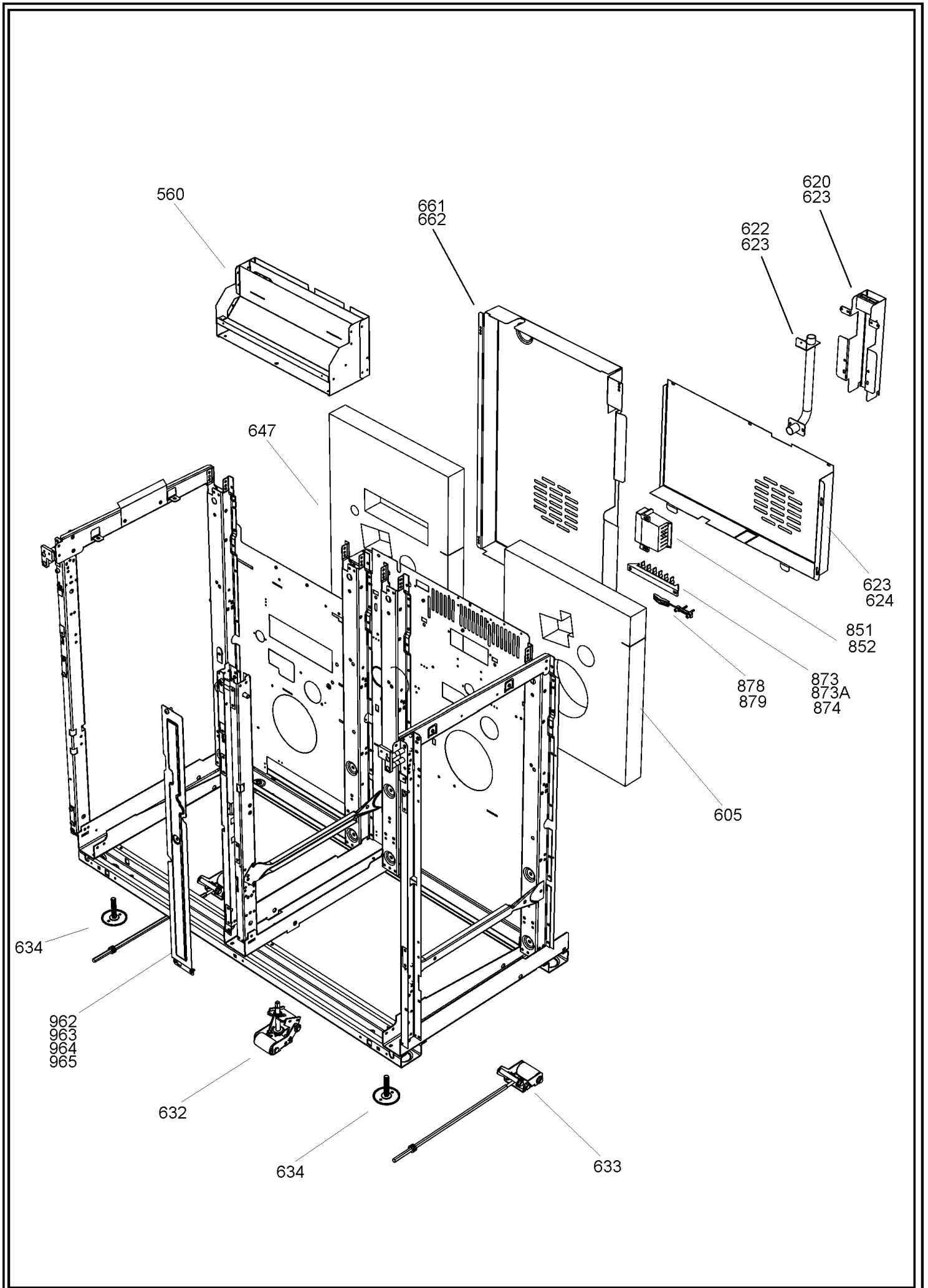
DSL0310 P00
DATE 15.05.06 ISSUE STATUS 001

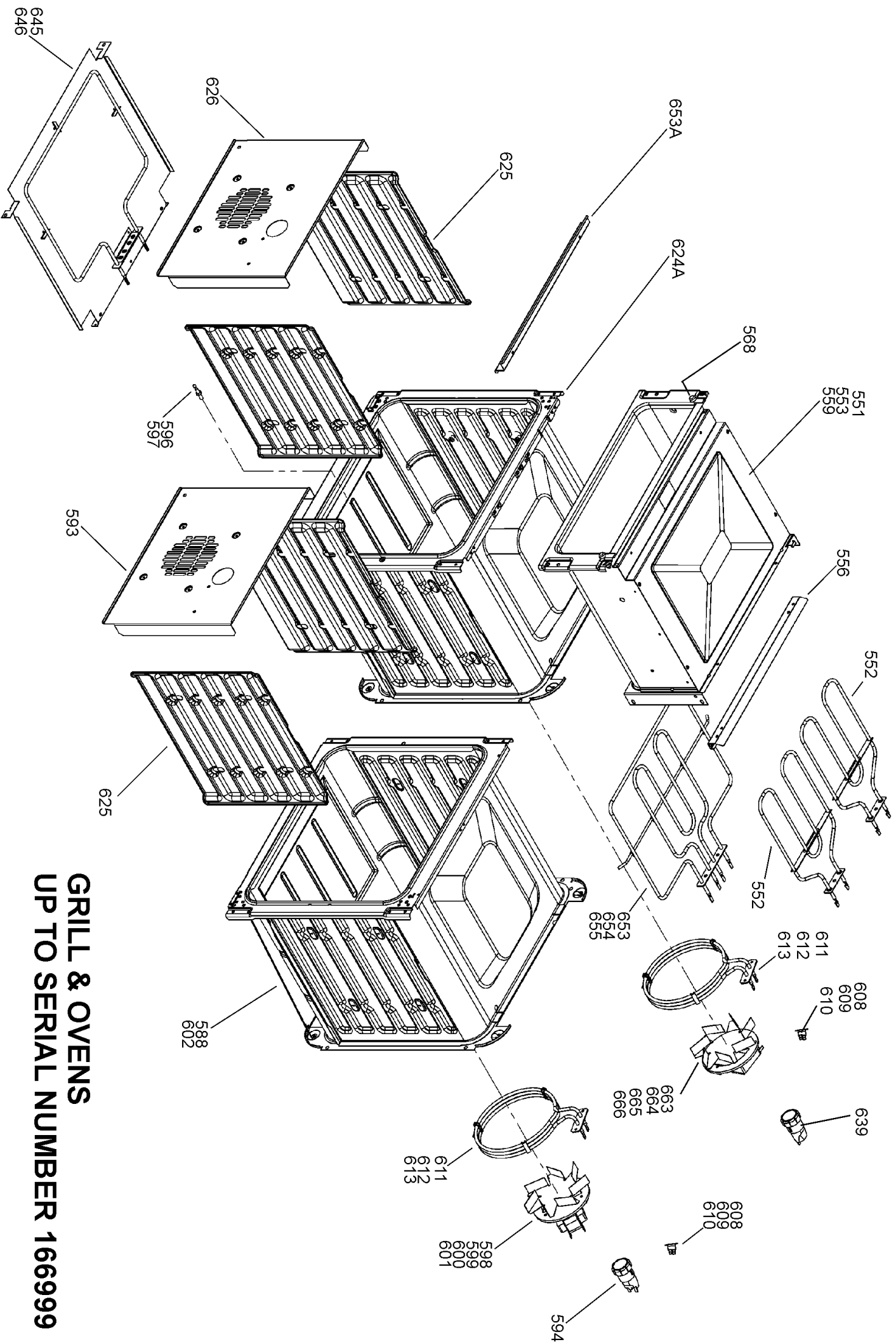




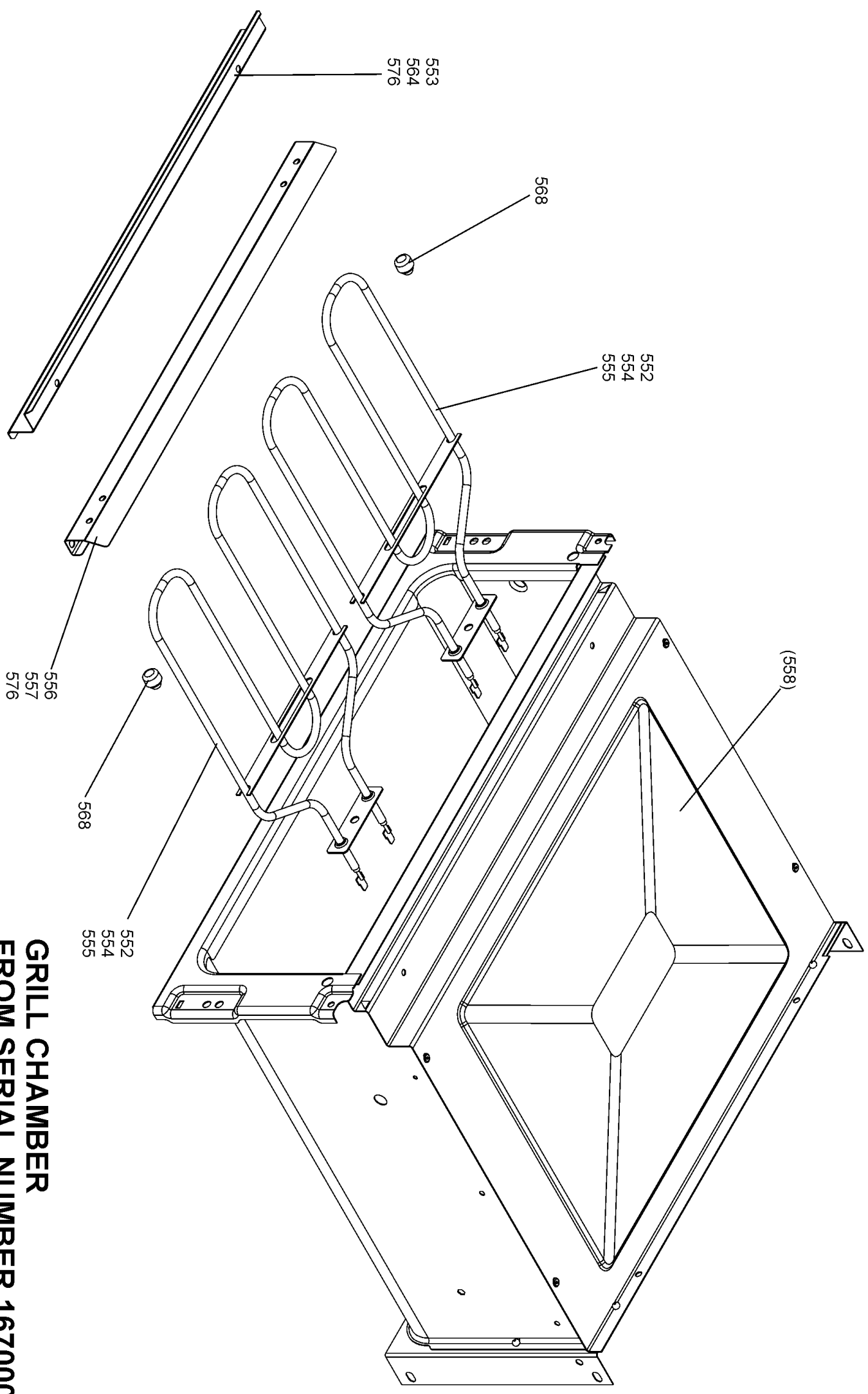






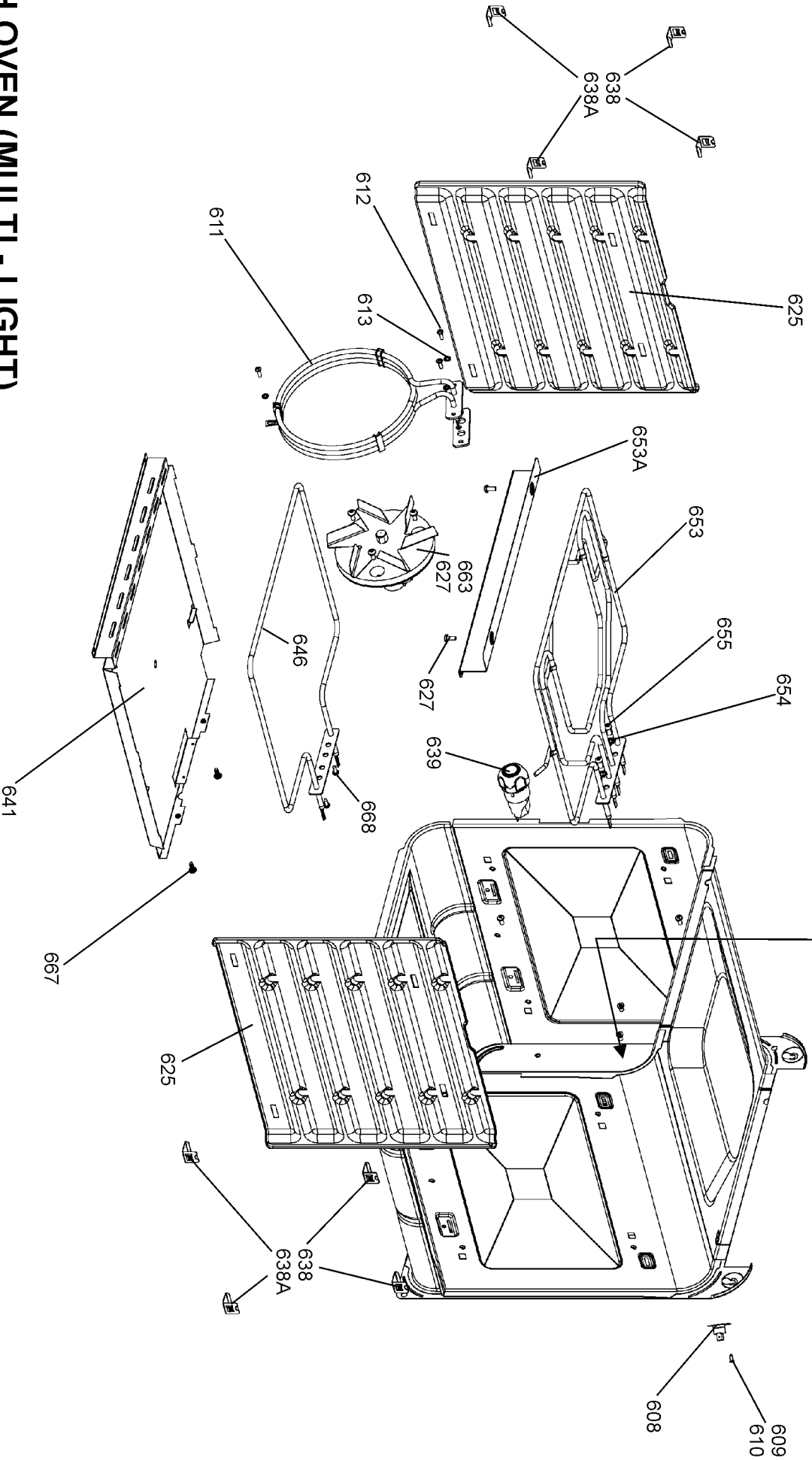


**GRILL & OVENS
UP TO SERIAL NUMBER 166999**



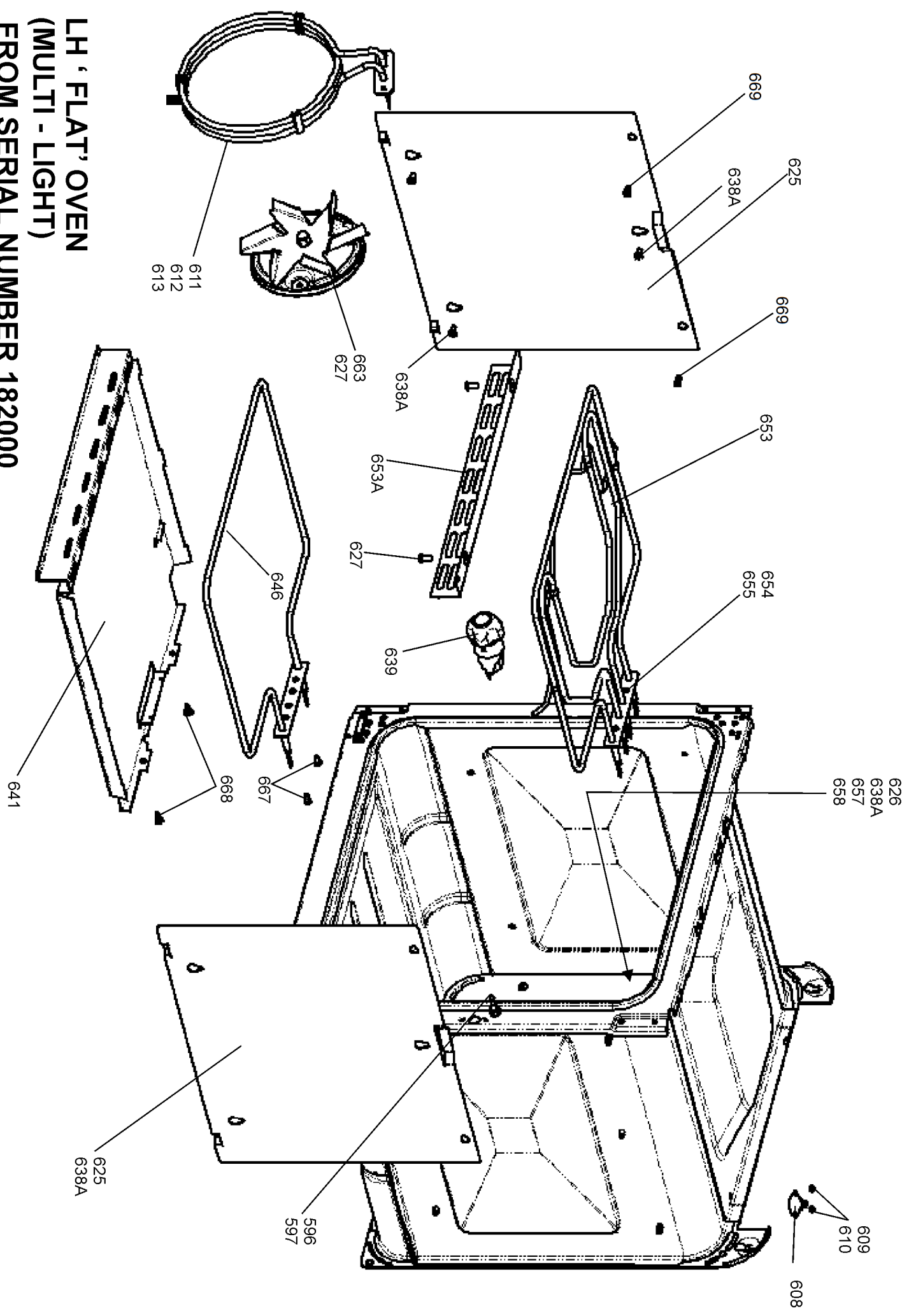
**GRILL CHAMBER
FROM SERIAL NUMBER 167000**

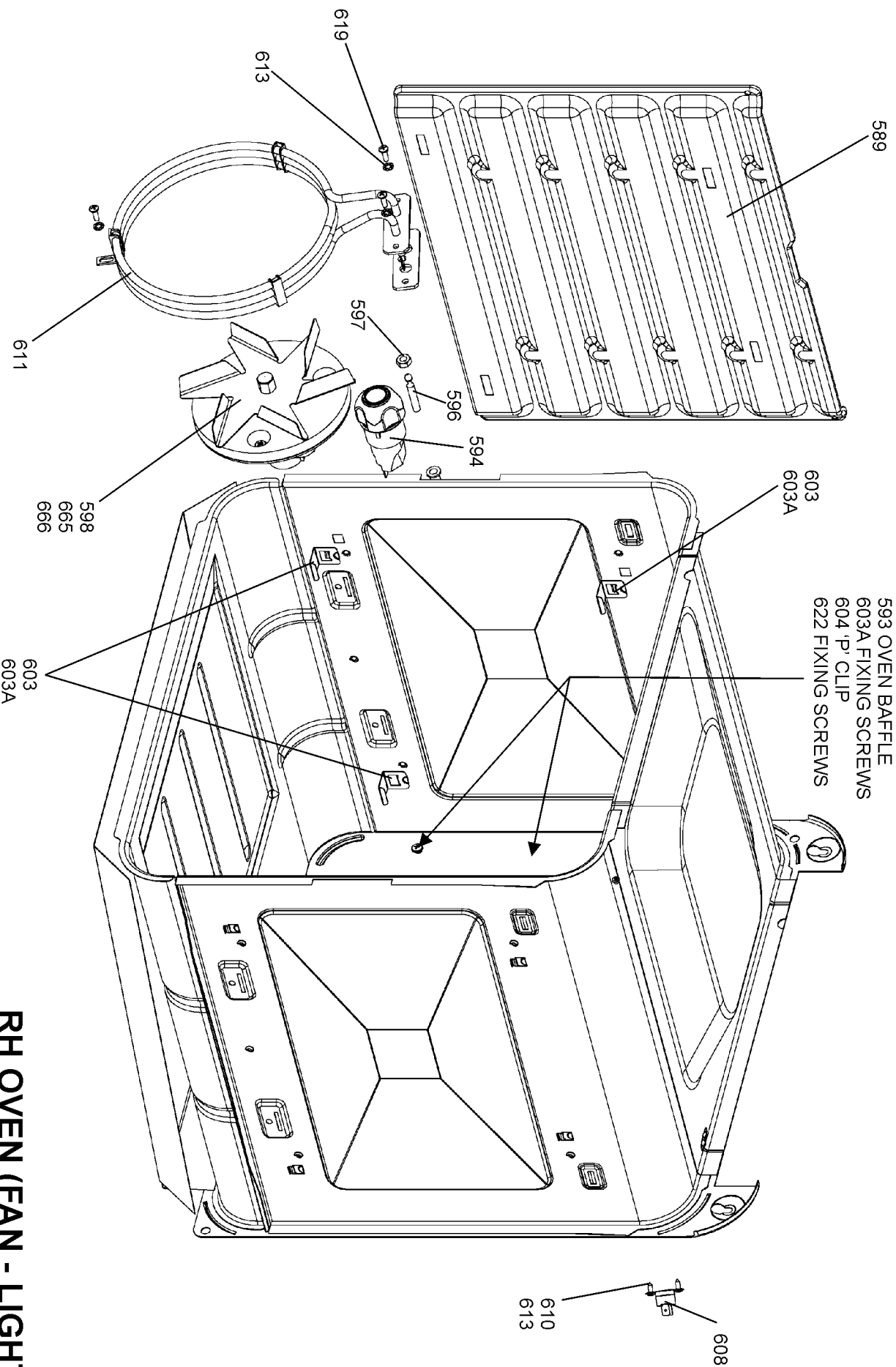
- 604 'P' CLIP
- 622 FIXING SCREWS
- 626 OVEN BAFFLE
- 638A FIXING SCREWS



LH OVEN (MULTI - LIGHT)
FROM SERIAL NUMBER 167000
UP TO SERIAL NUMBER 181999

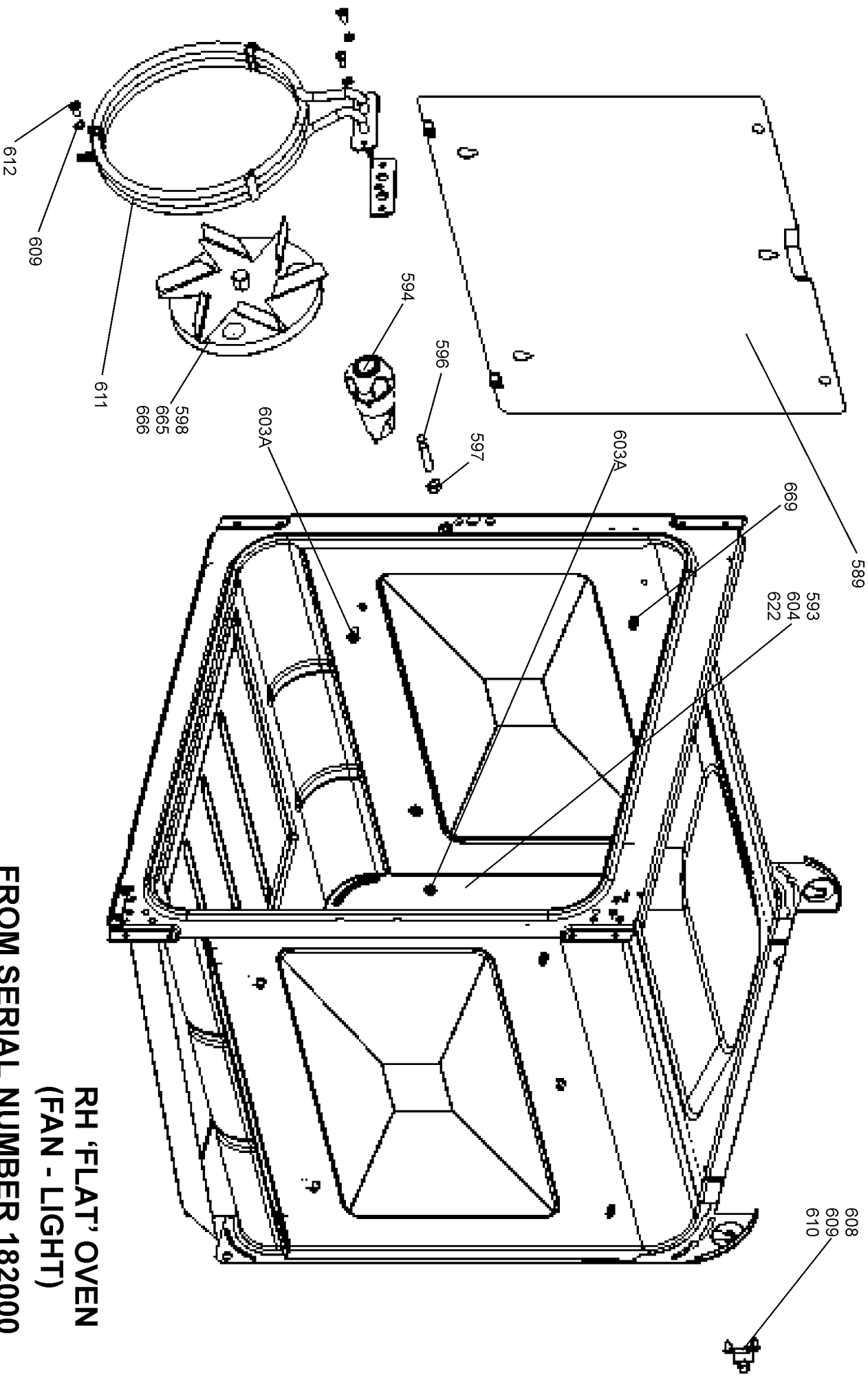
LH 'FLAT' OVEN
(MULTI-LIGHT)
FROM SERIAL NUMBER 182000





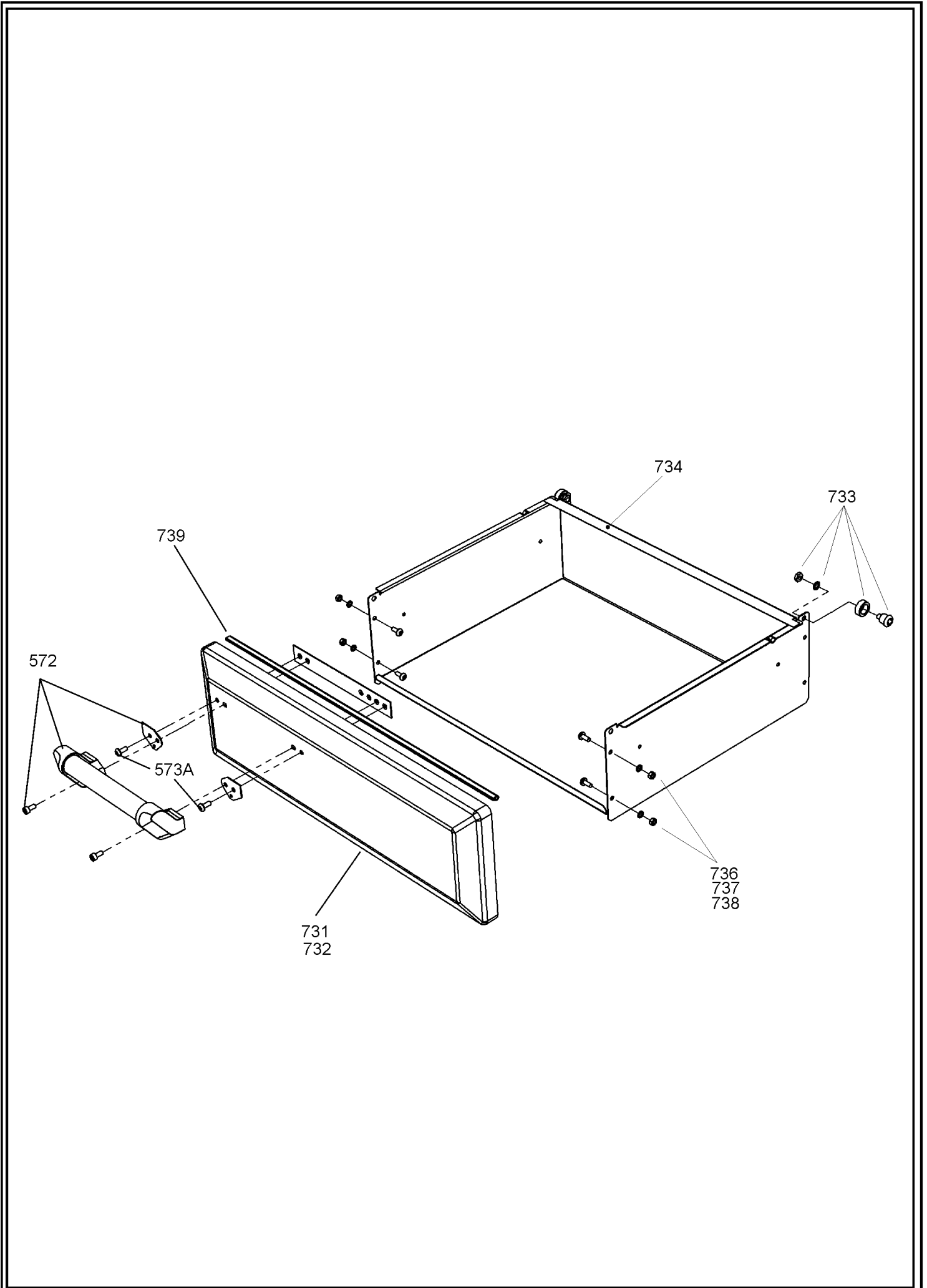
RH OVEN (FAN - LIGHT)

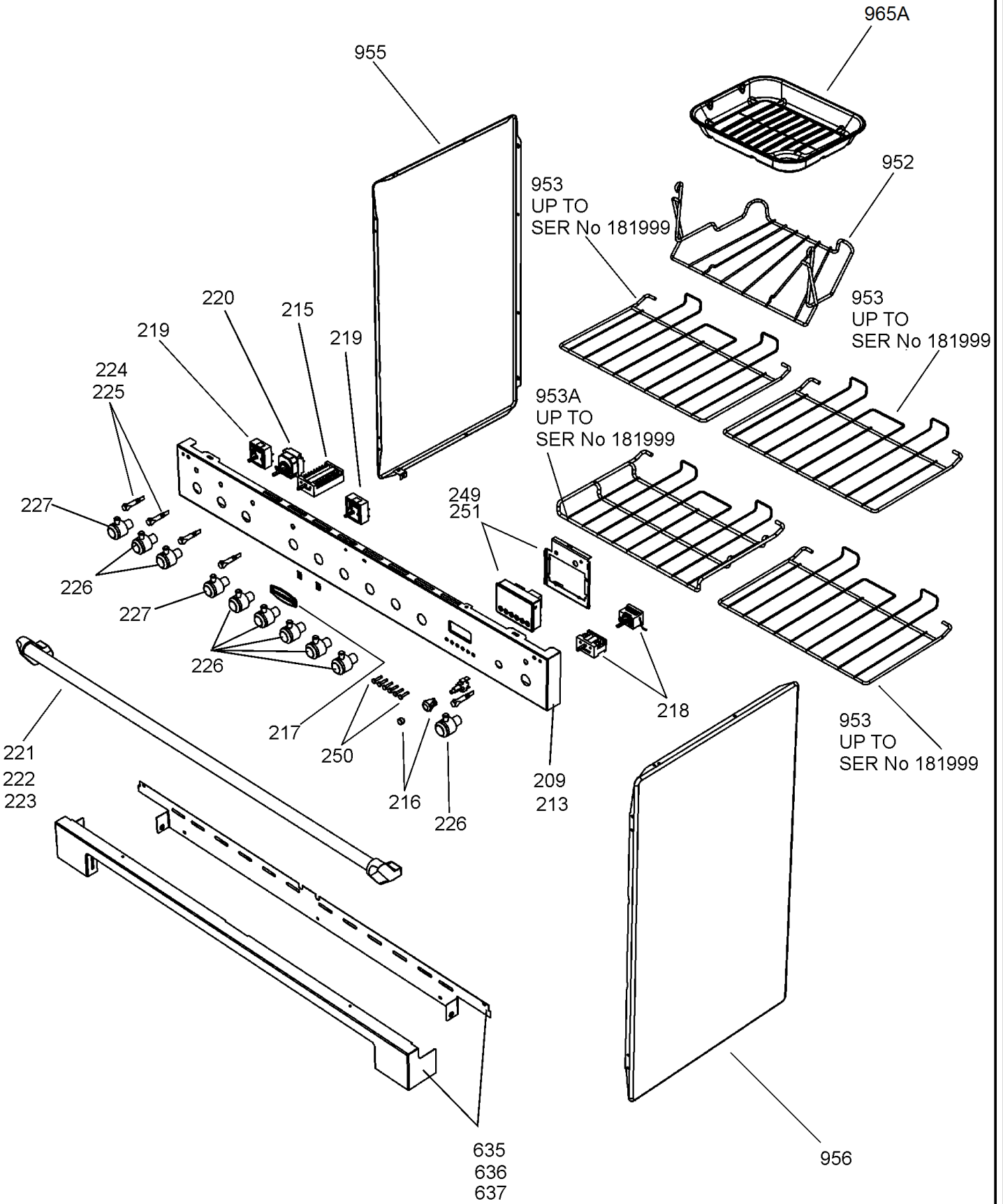
**FROM SERIAL NUMBER 167000
UP TO SERIAL NUMBER 181999**

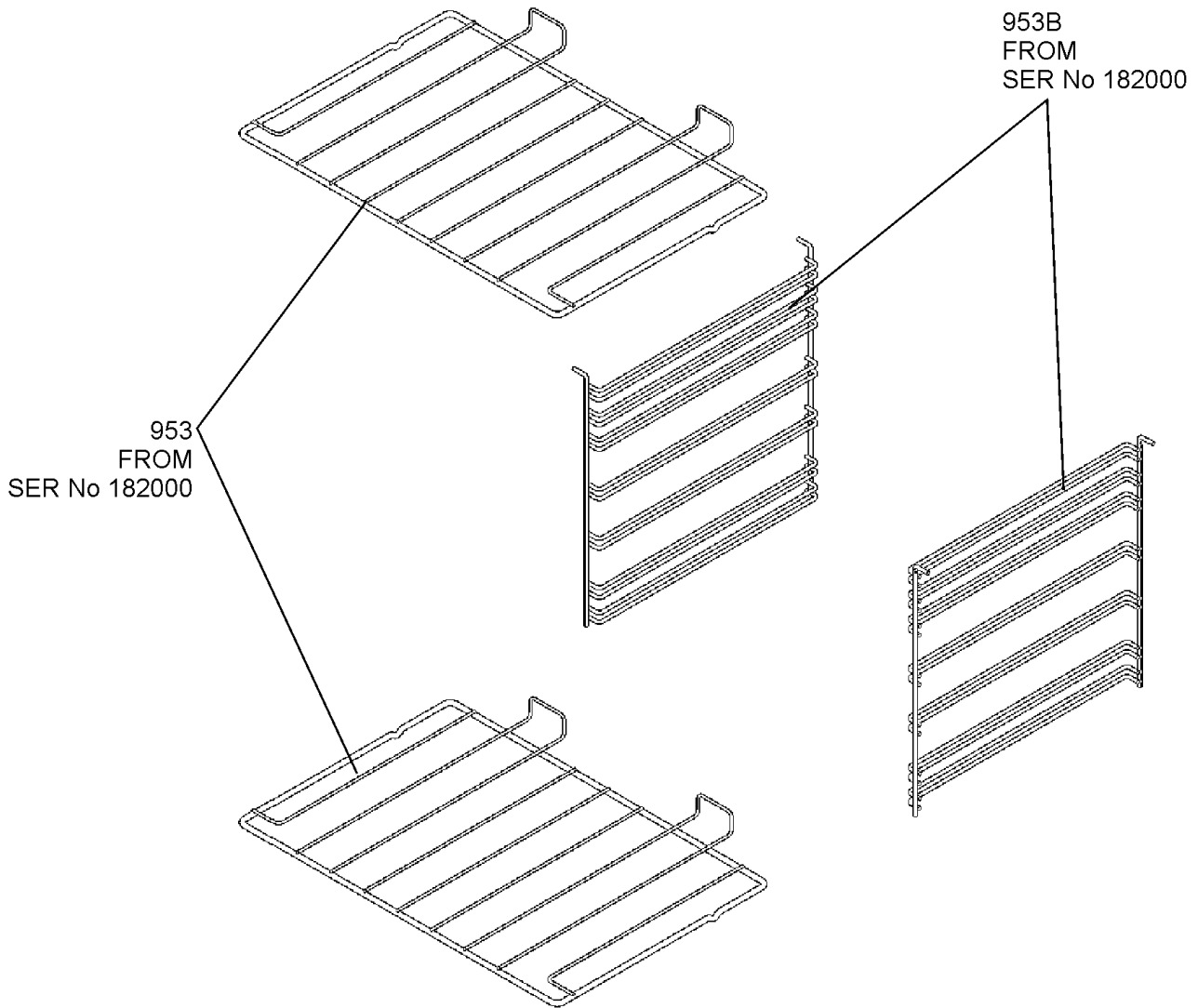
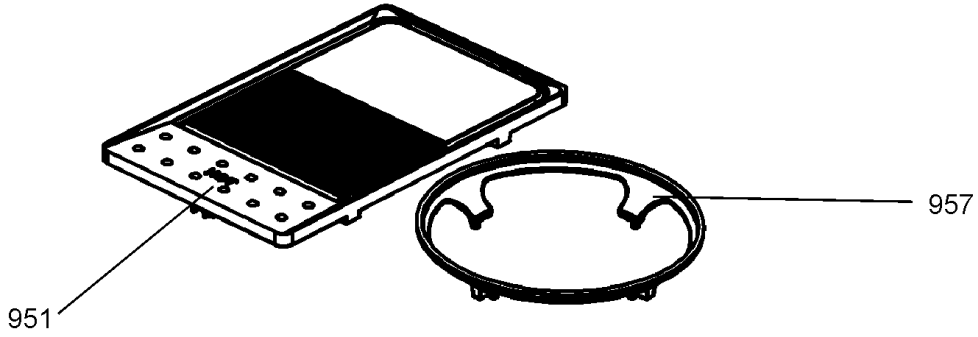


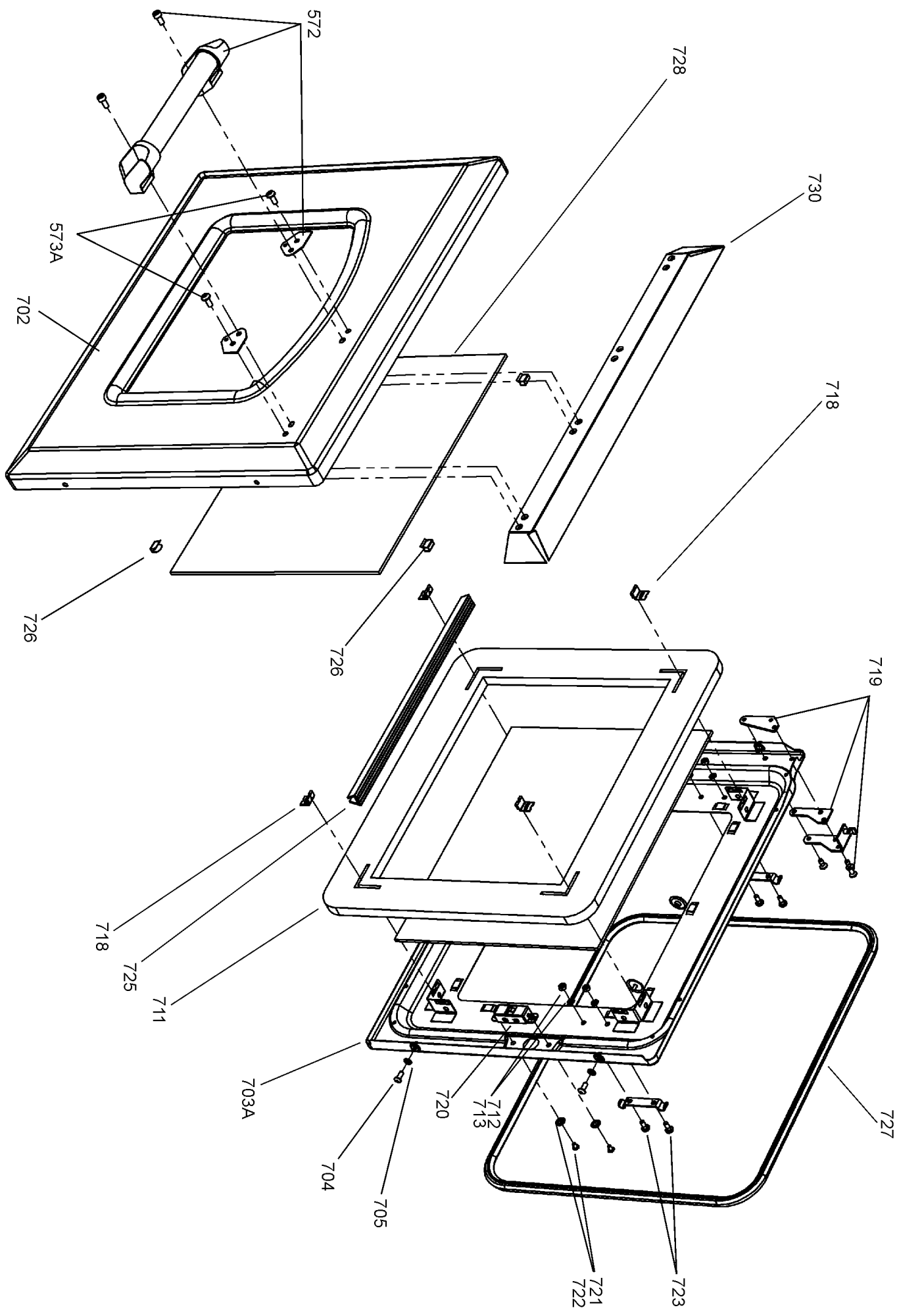
RH 'FLAT' OVEN
(FAN - LIGHT)

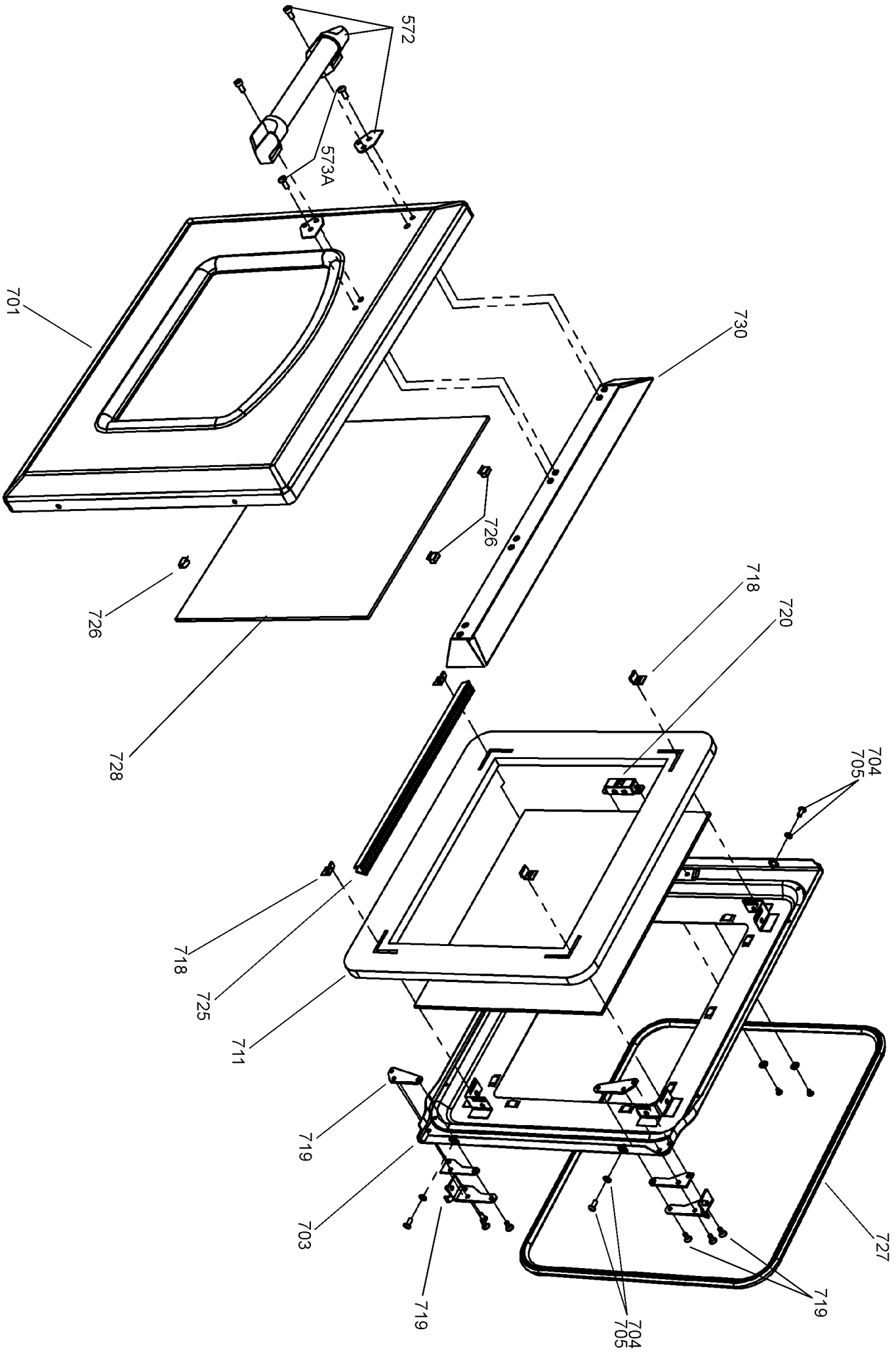
FROM SERIAL NUMBER 182000

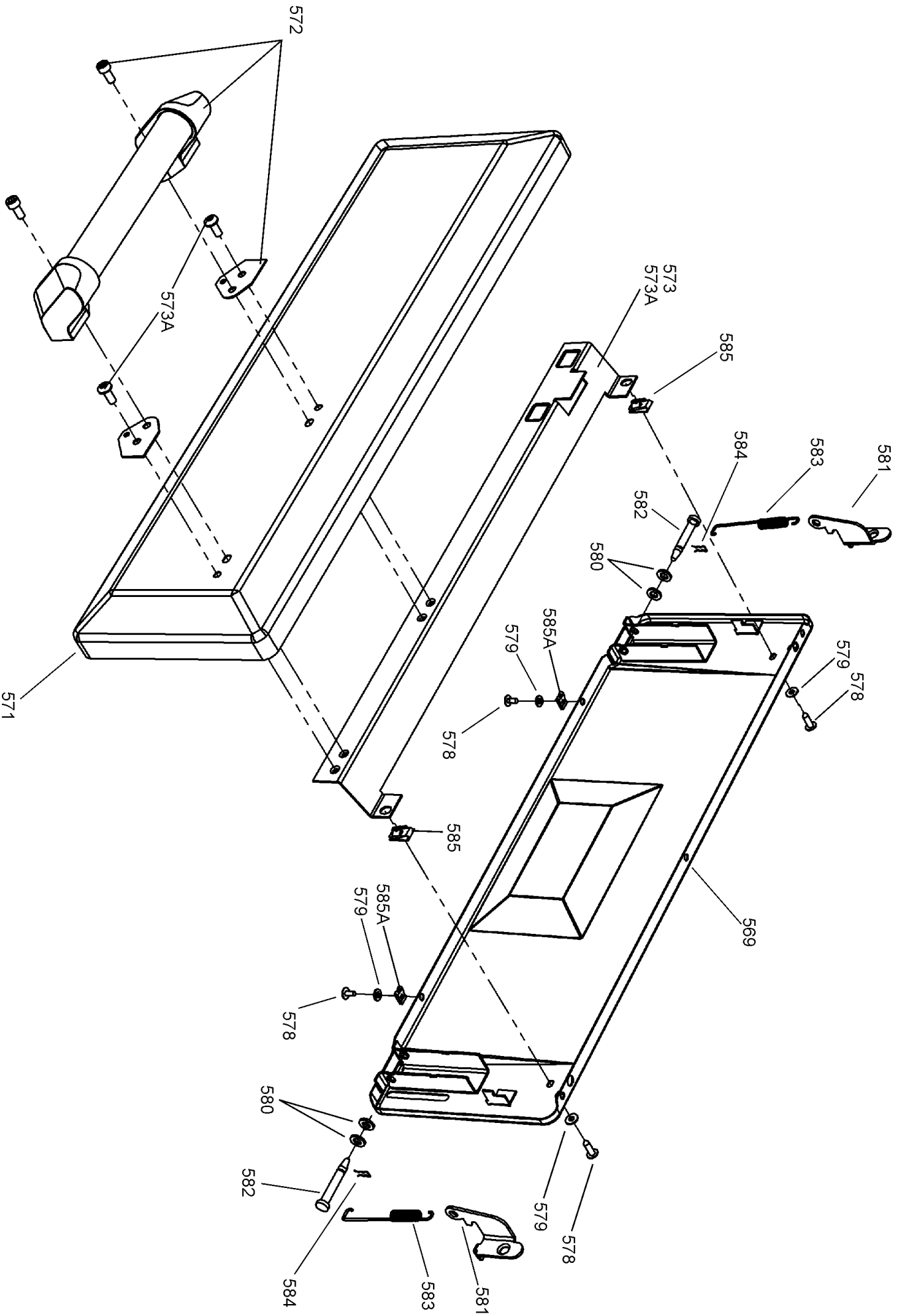


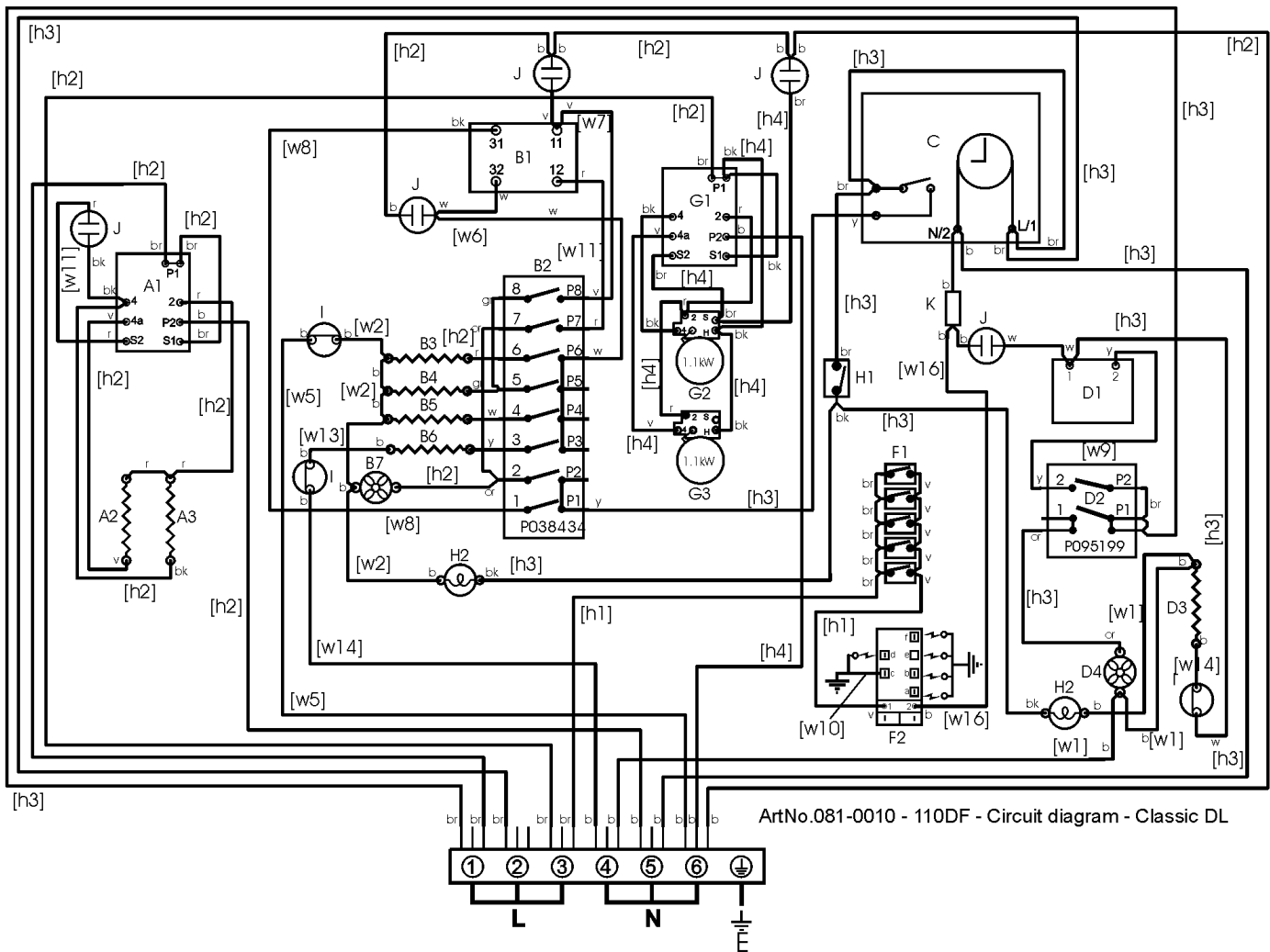












ArtNo.081-0010 - 110DF - Circuit diagram - Classic DL

Ref Number	Part number	Quantity	Remarks
w1	P025995	1	Wire - NEUTRAL LINKS BACK
w2	P033089	1	Wire - MULTI-FUNCTION NEUTRAL LINK
w3	P026793	1	Wire (NI) - REAR EARTH LINK
w4	P055374	2	Wire (NI) - GRILL Element earth
w5	P033073	1	Wire - Cut out NETURAL LINK
w6	P095565	1	Wire - NEON T/STAT SWITCH
h1	P049254	0	Harness Asse mblly - Ignition switches
h2	P038592	1	Harness Asse mblly - LH Oven HARNESS
h3	P038593	1	Harness Asse mblly - RH Oven HARNESS
h4	P038594	1	Harness Asse mblly - GRIDDLE HARNESS
w7	P033367	1	Wire - T/Stat to LH Oven switch
w8	P038597	1	Wire - LH Oven T/STAT BLACK LINK
w9	P049242	1	Harness Asse mblly (NI) - HT Harness
w10	P037863	1	Wire - RH Oven switch to T/Stat link
w11	P049241	1	Wire (NI) - Ignition generator earth
w12	P094951	2	Wire - Grill Energy Regulator to Neon
w13	P095450	1	Wire (NI) - Earth Wire
w14	P040066	2	Wire - Neutral -LINK CUT OUTS
w15	P094947	1	Wire - LH FAN NEUTRAL Element CUT OUT
w16	P094943	2	Wire (NI) - Hot plate earth
w17	P094945	1	Wire - Timer to RH oven neon / ignition generator neutral

NI Not Illustrated

w - Single Cable / Single Cable with multiple terminations

h - Harness Assembly (Including Single Wires that are Sheathed)

Code	Description
A1	Grill energy regulator
A2	Grill element left hand side
A3	Grill element right hand side
B1	Left hand oven thermostat
B2	Left hand oven switch
B3	Left hand oven base element
B4	Left hand oven top element
B5	Left hand oven browning element
B6	Left hand oven fan element
B7	Left hand oven fan
C	Clock /Oven Timer

Code	Description
D1	Right hand thermostat
D2	Right hand oven switch
D3	Right hand oven element
D4	Right hand oven fan
F1	Ignition switch
F2	Ignition spark generator
G1	Hob energy regulator
G2	Hob element
G3	Hob element
H1	Oven light switch
H2	Oven light switch
I	Thermal cut out
J	Neon
K	In line connector

Code	Colour
b	Blue
br	Brown
bk	Black
or	Orange
r	red
v	violet
w	White
y	yellow
gr	Grey

DSL0310 P11A
ISSUE STATUS 01 DATE 21.01.10

FAL CLASSIC DL
110 DF/NG FSD
FROM SERIAL NUMBER 126000