

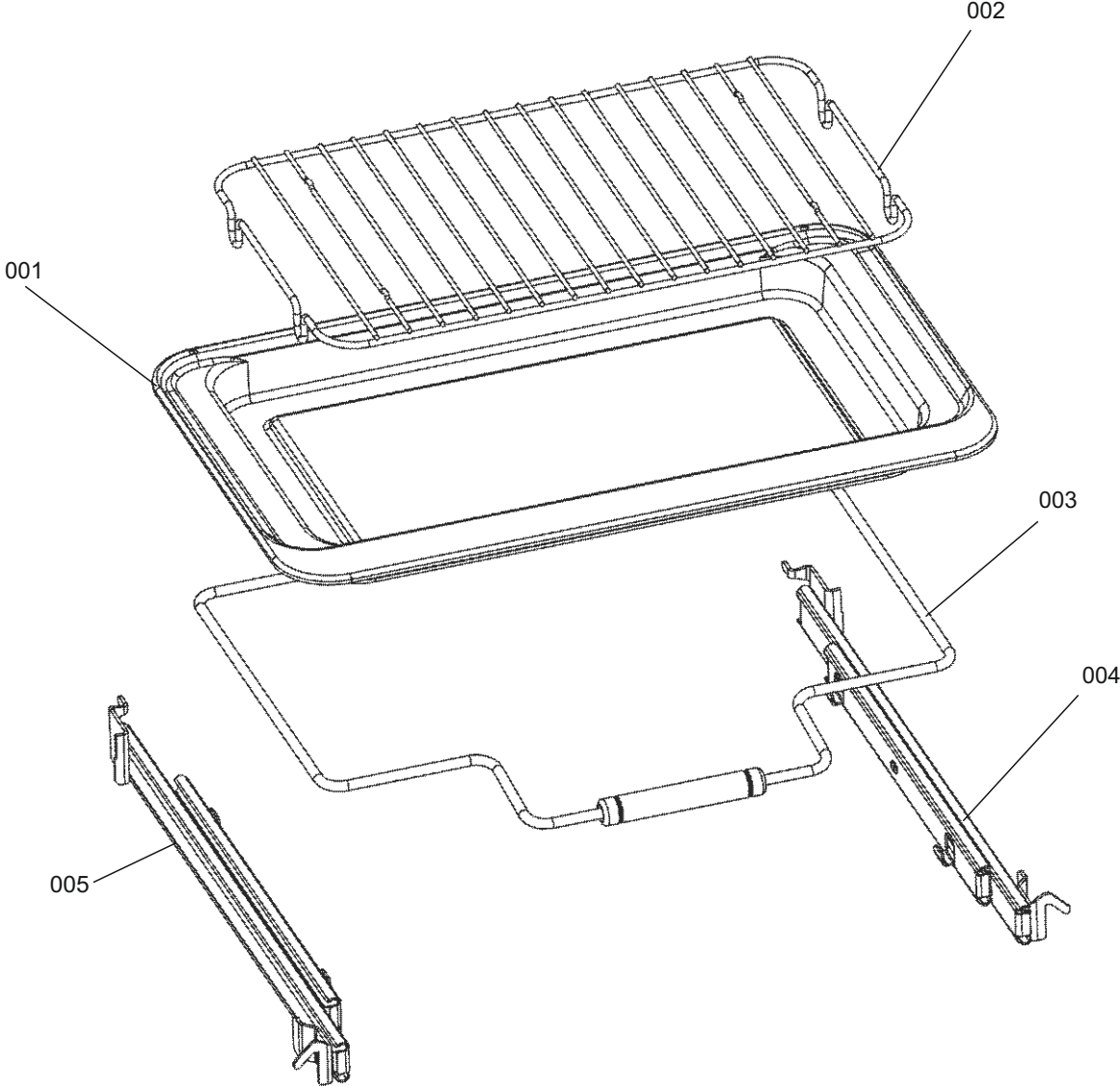
**APPLIANCE NAME: ALL MODELS  
FALCON CLASSIC DELUXE 110  
CERAMIC**

**DSL0347**  
DATE 19.07.07 ISSUE STATUS 01



ALL MODELS

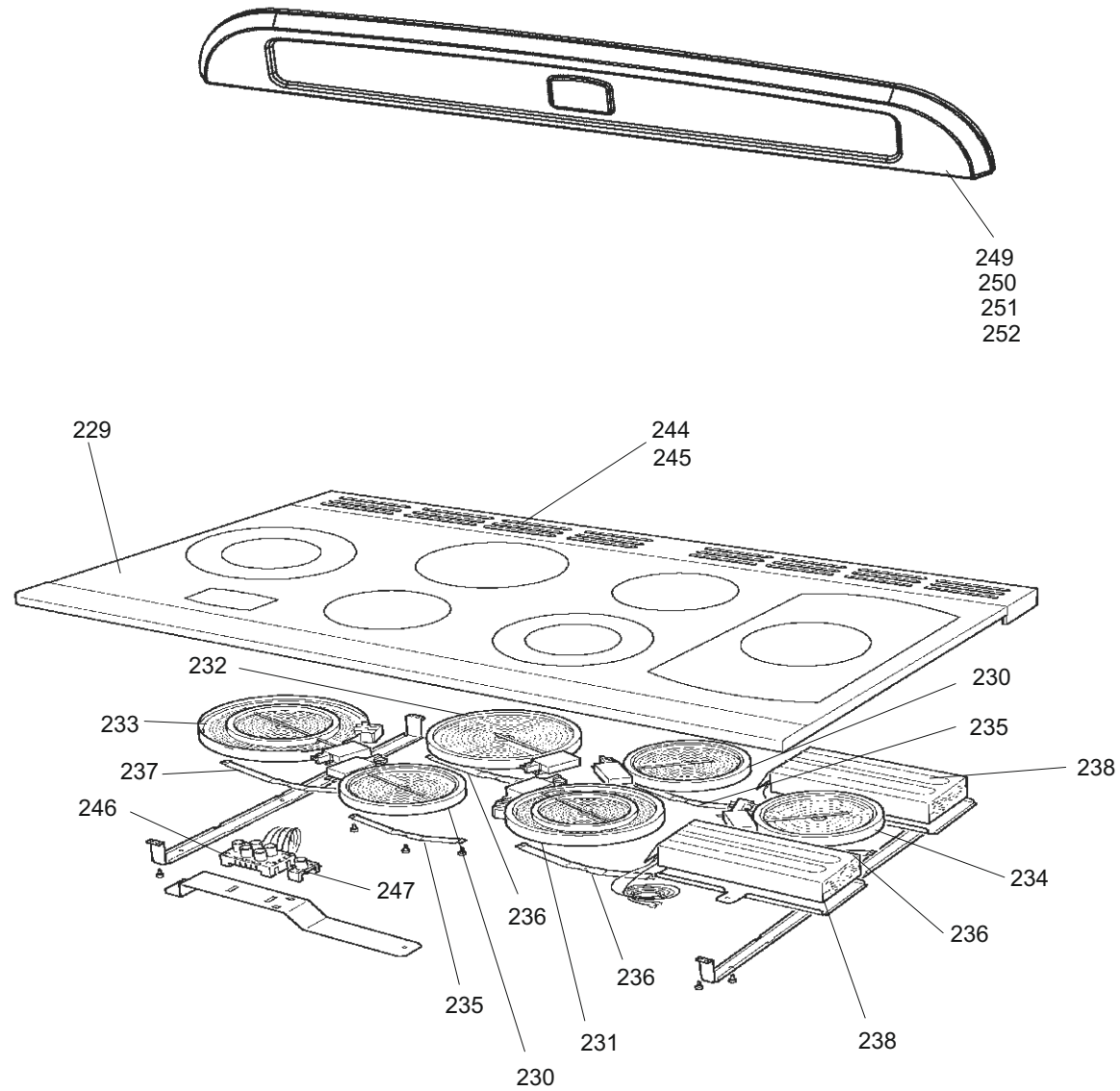
DSL0347 P01  
DATE 19.07.07 ISSUE STATUS 01



GRILL PAN

ALL MODELS UP TO  
SERIAL No 149999

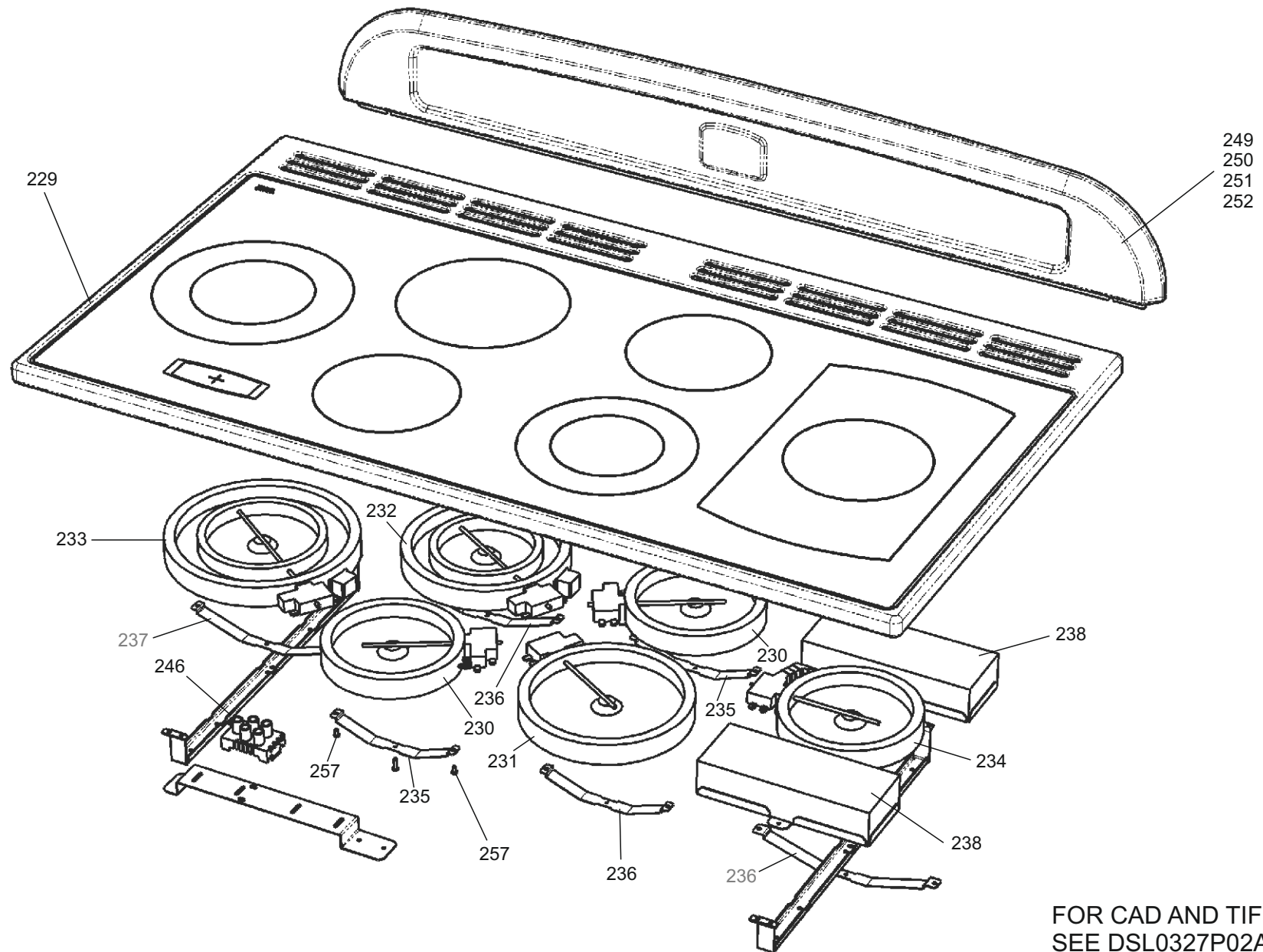
DSL0347 P02  
DATE 19.05.10 ISSUE STATUS 02



## HOB AND CERAMIC ASSEMBLY

ALL MODELS FROM SERIAL No 150000

DSL0347 P02A  
DATE 19.05.10 ISSUE STATUS 001



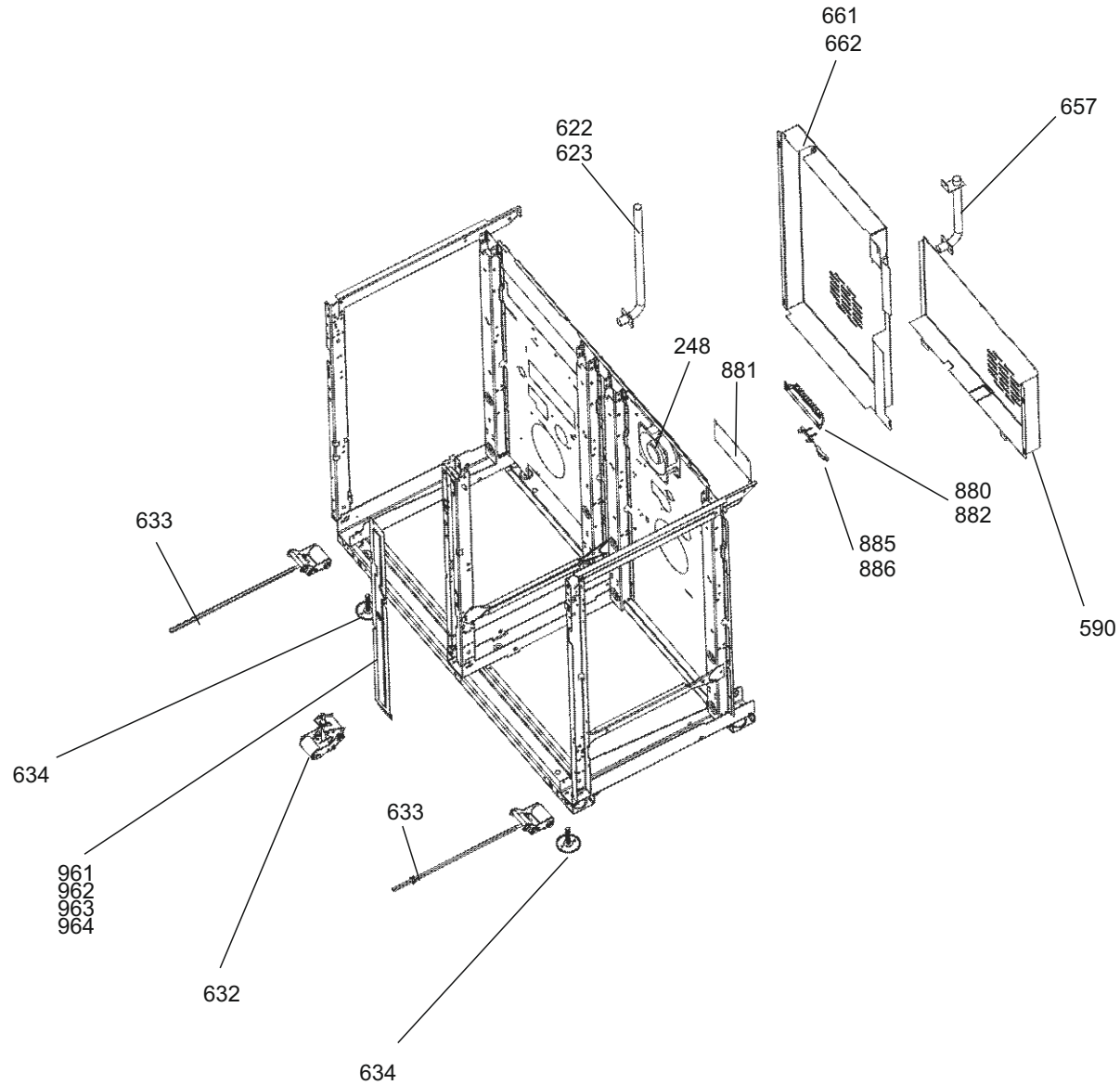
FOR CAD AND TIF FILES  
SEE DSL0327P02A

## HOB AND CERAMIC ASSEMBLY



ALL MODELS UP TO  
SERIAL No 149999

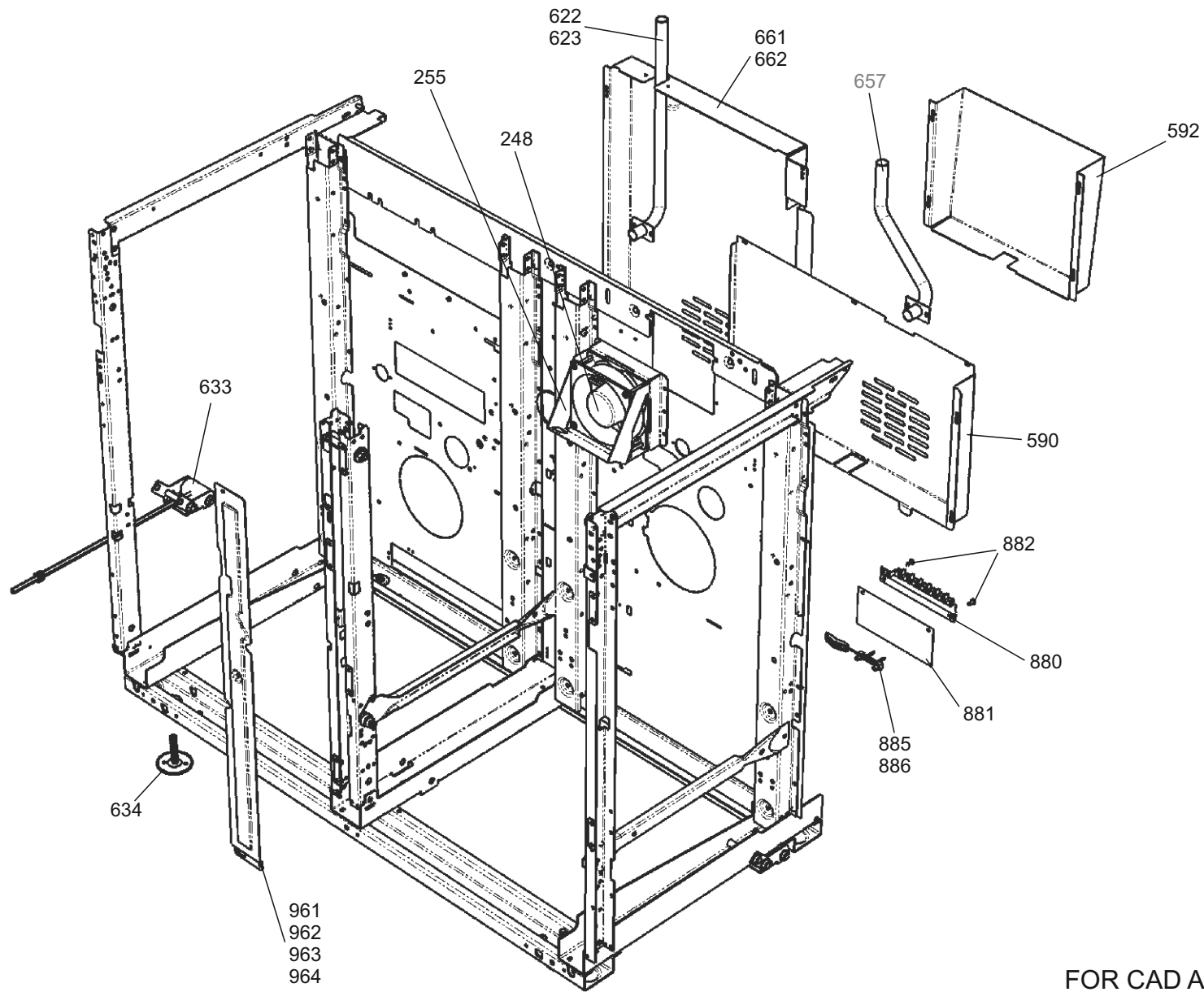
DSL0347 P04  
DATE 19.05.10 ISSUE STATUS 02



## CHASSIS AND FRAME ASSEMBLY

ALL MODELS FROM SERIAL No 150000

DSL0347 P04A  
DATE 16.12.10 ISSUE STATUS 002



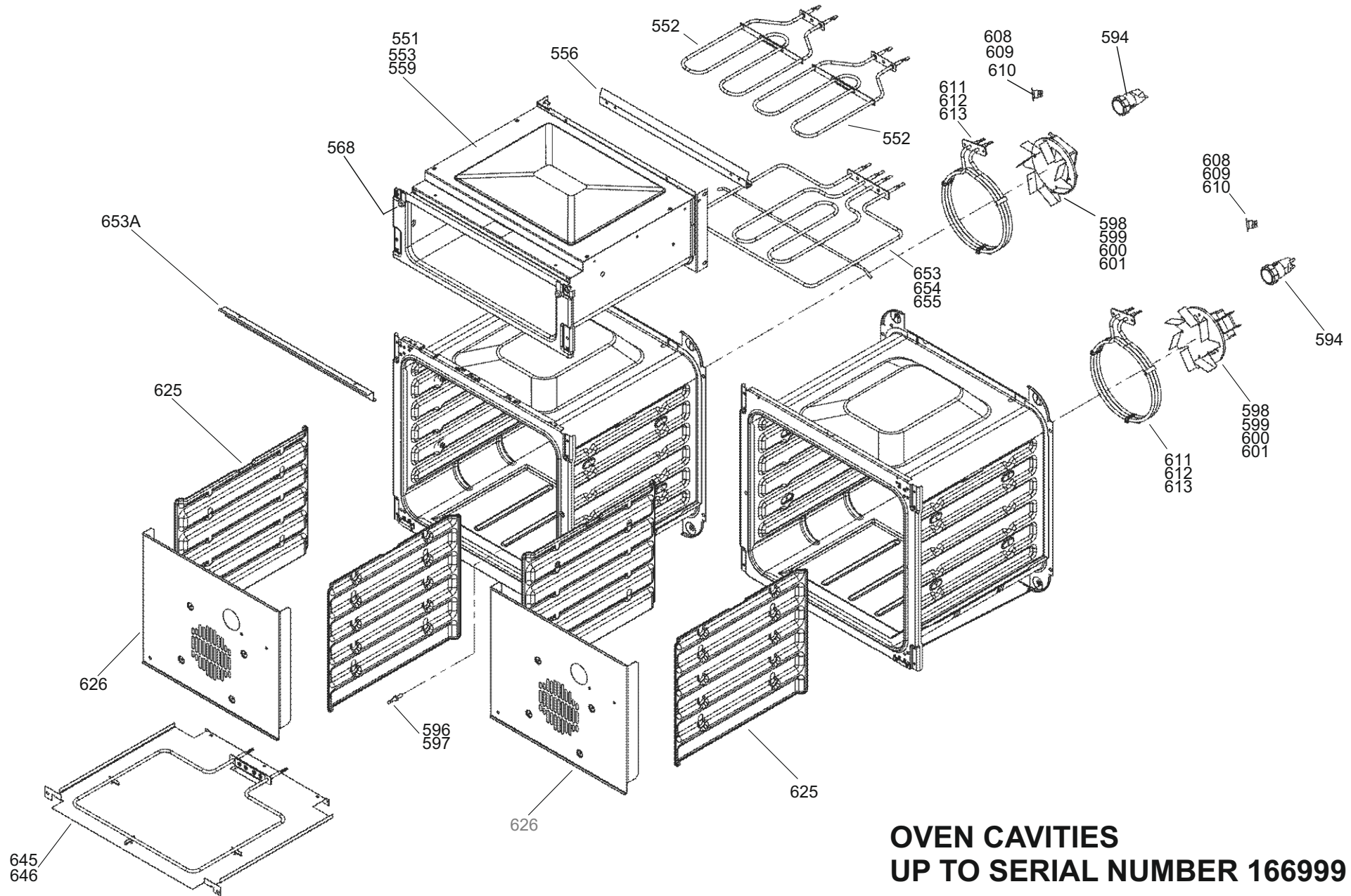
FOR CAD AND TIF FILES  
SEE DSL0327P04A

**CHASSIS AND FRAME ASSEMBLY**



ALL MODELS

**DSL0347 P05**  
DATE 24.05.16 ISSUE STATUS 02



**OVEN CAVITIES  
UP TO SERIAL NUMBER 166999  
LH OVEN - RH OVEN AND GRILL CHAMBER**



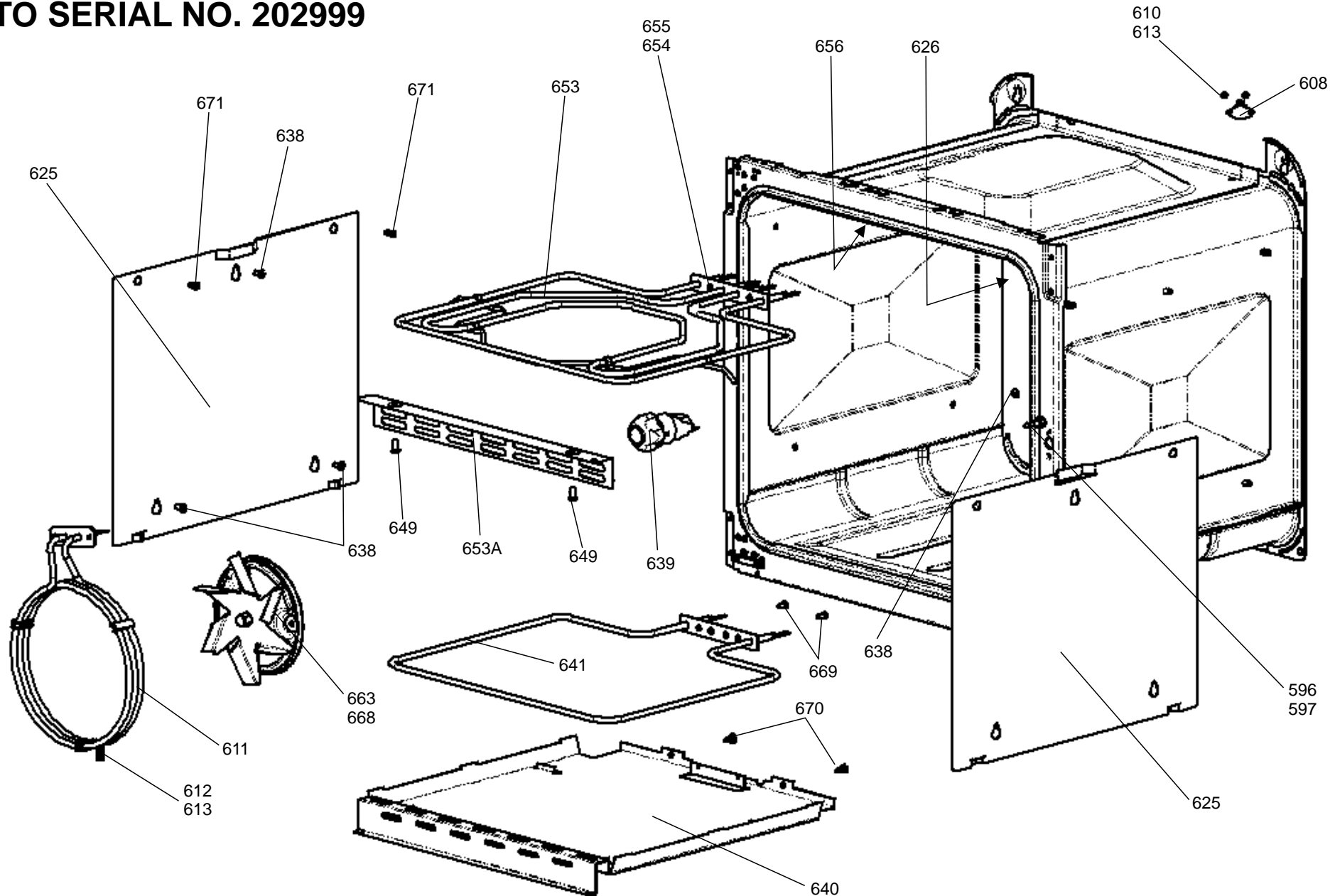


**CLASSIC DL 110 CERAMIC  
FROM SERIAL NO. 182000  
TO SERIAL NO. 202999**

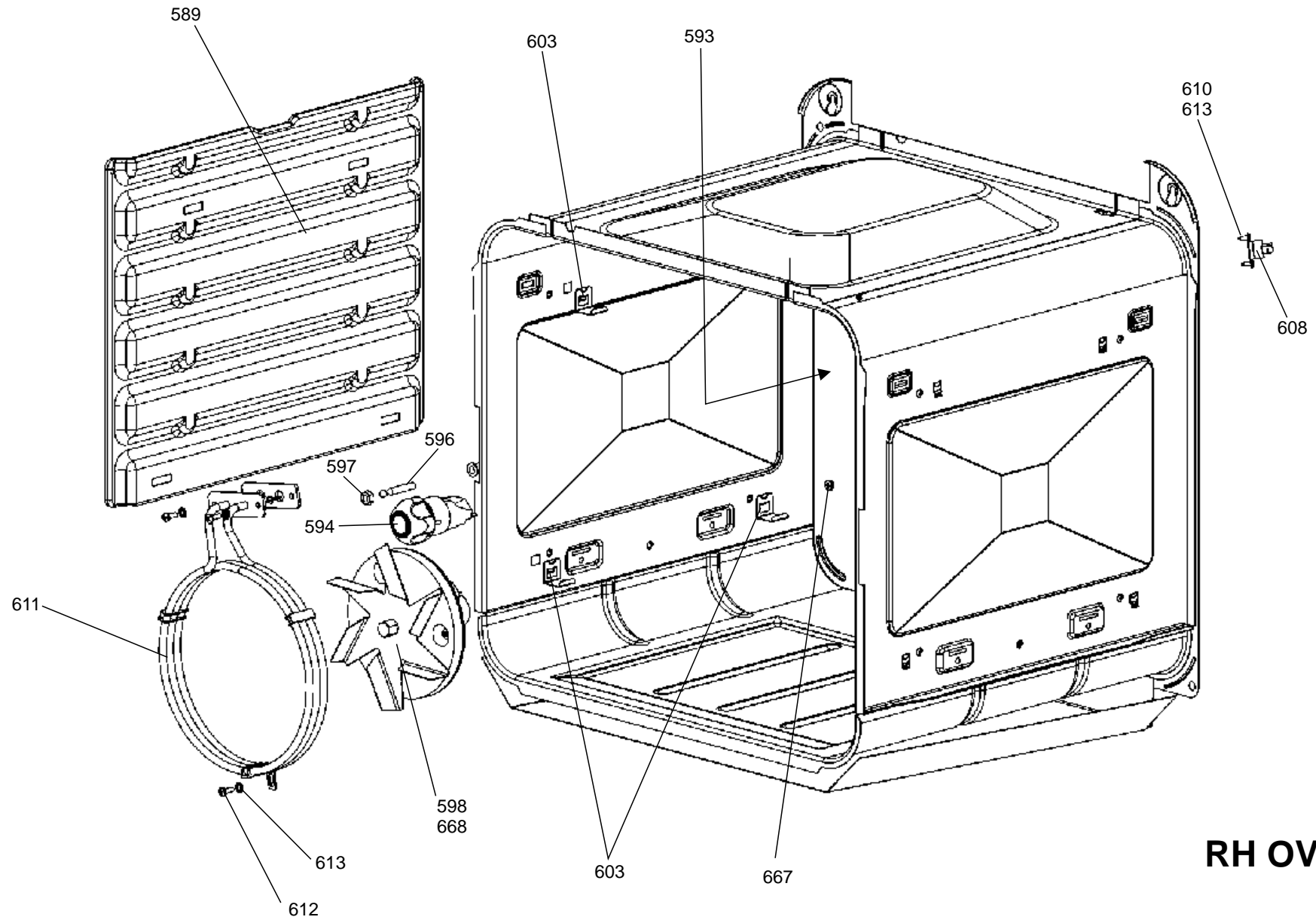
DATE: 19.11.2018

ISSUE: 01

**DSL0347 P05B**



**LH OVEN (MULTIFUNCTION - LIGHT)**



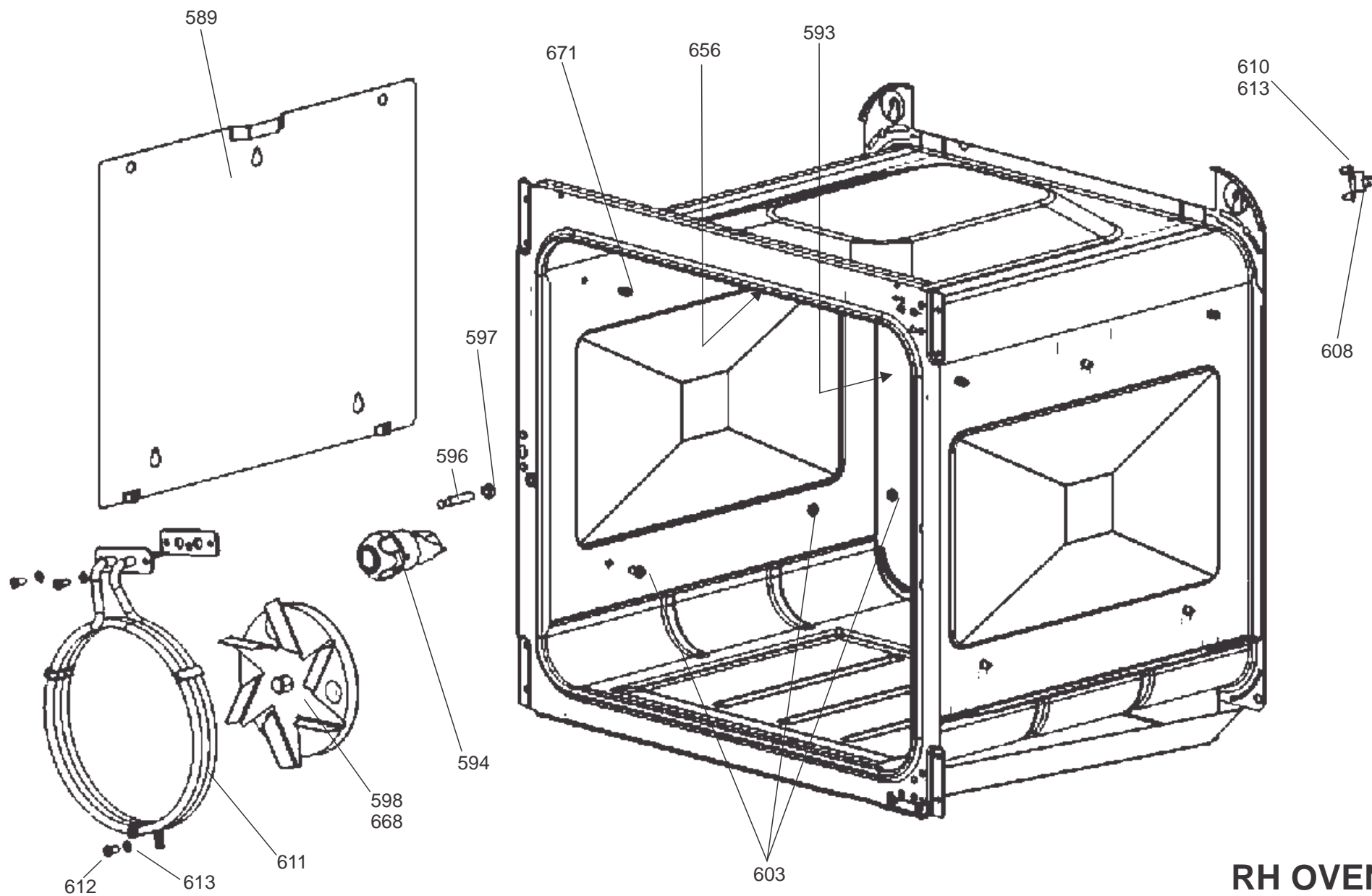
**RH OVEN**

**CLASSIC DL 110 CERAMIC  
UP TO SERIAL NO: 202999**

DATE: 19.11.2018

ISSUE:01

**DSL0347 P05E**

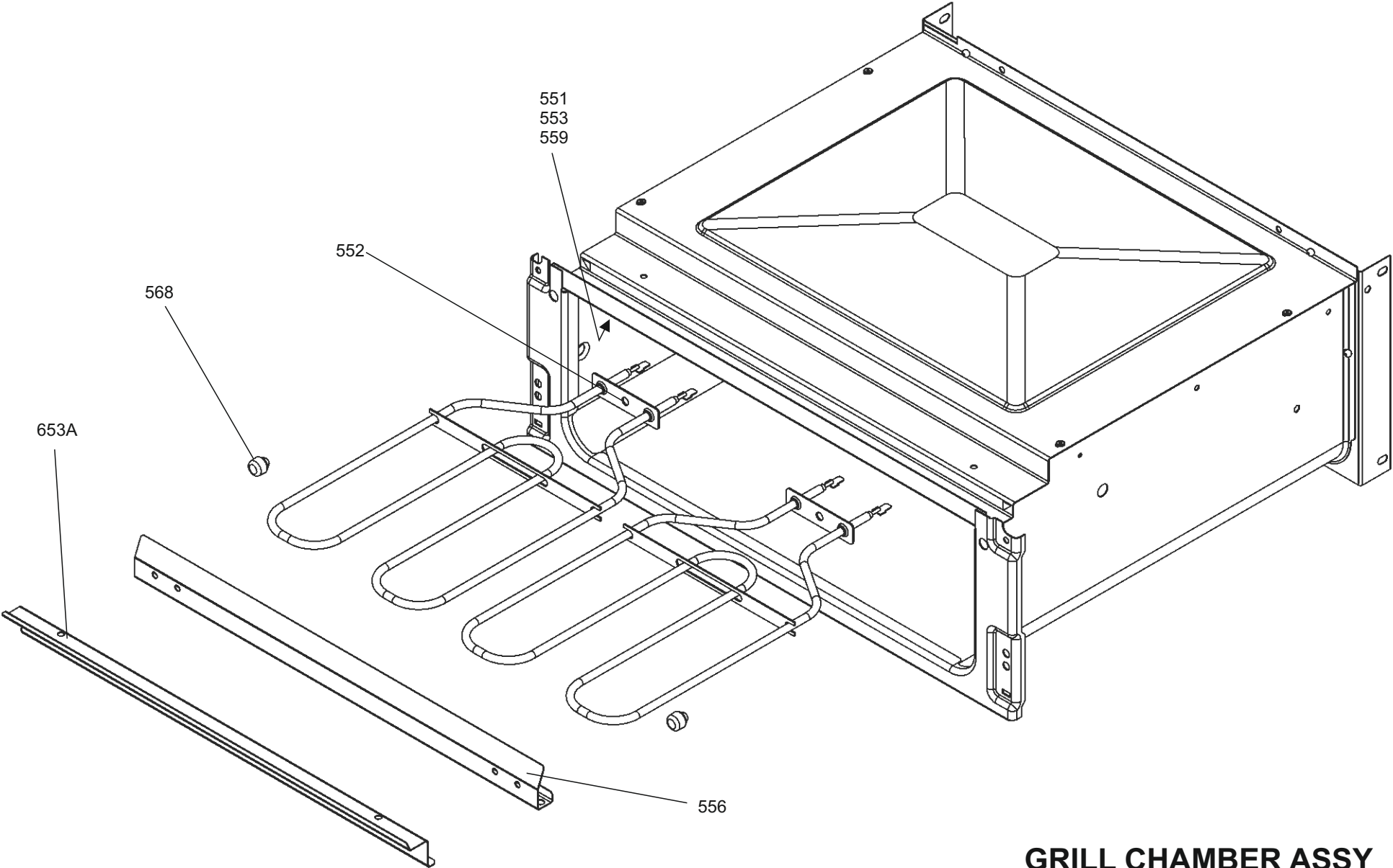


**RH OVEN**

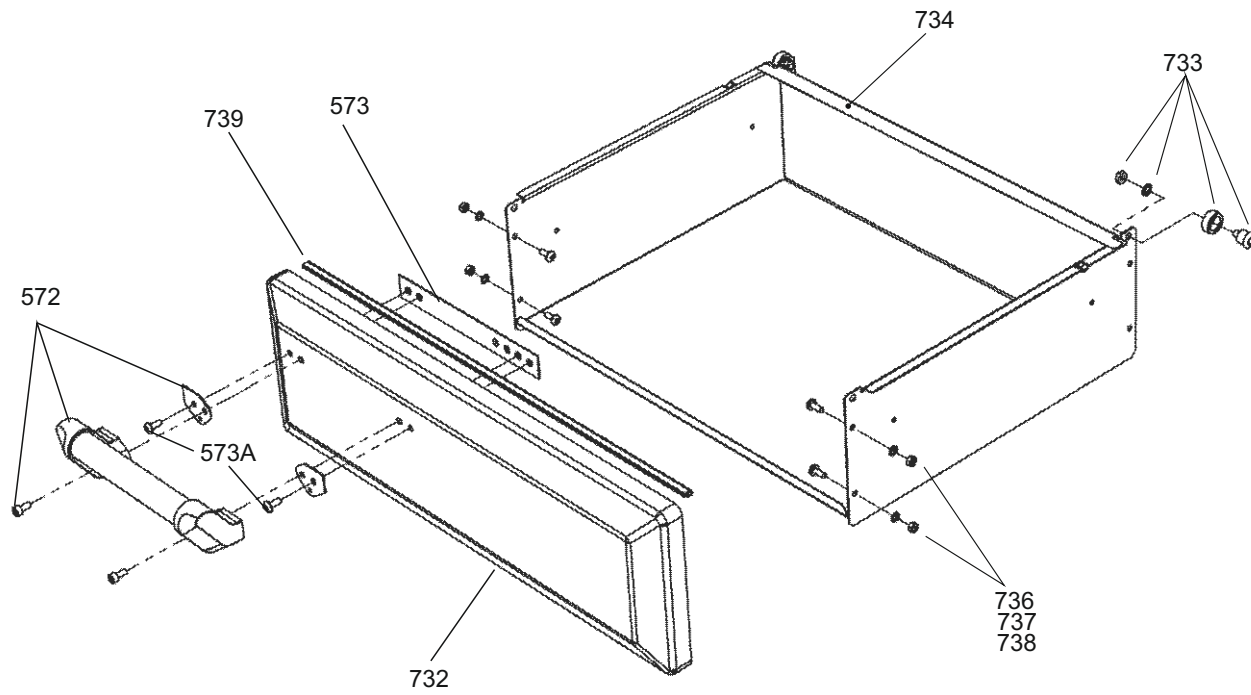
**MODEL  
FROM: 167000**

DATE 00.00.16 ISSUE STATUS 01

**DSL0347 P05G**

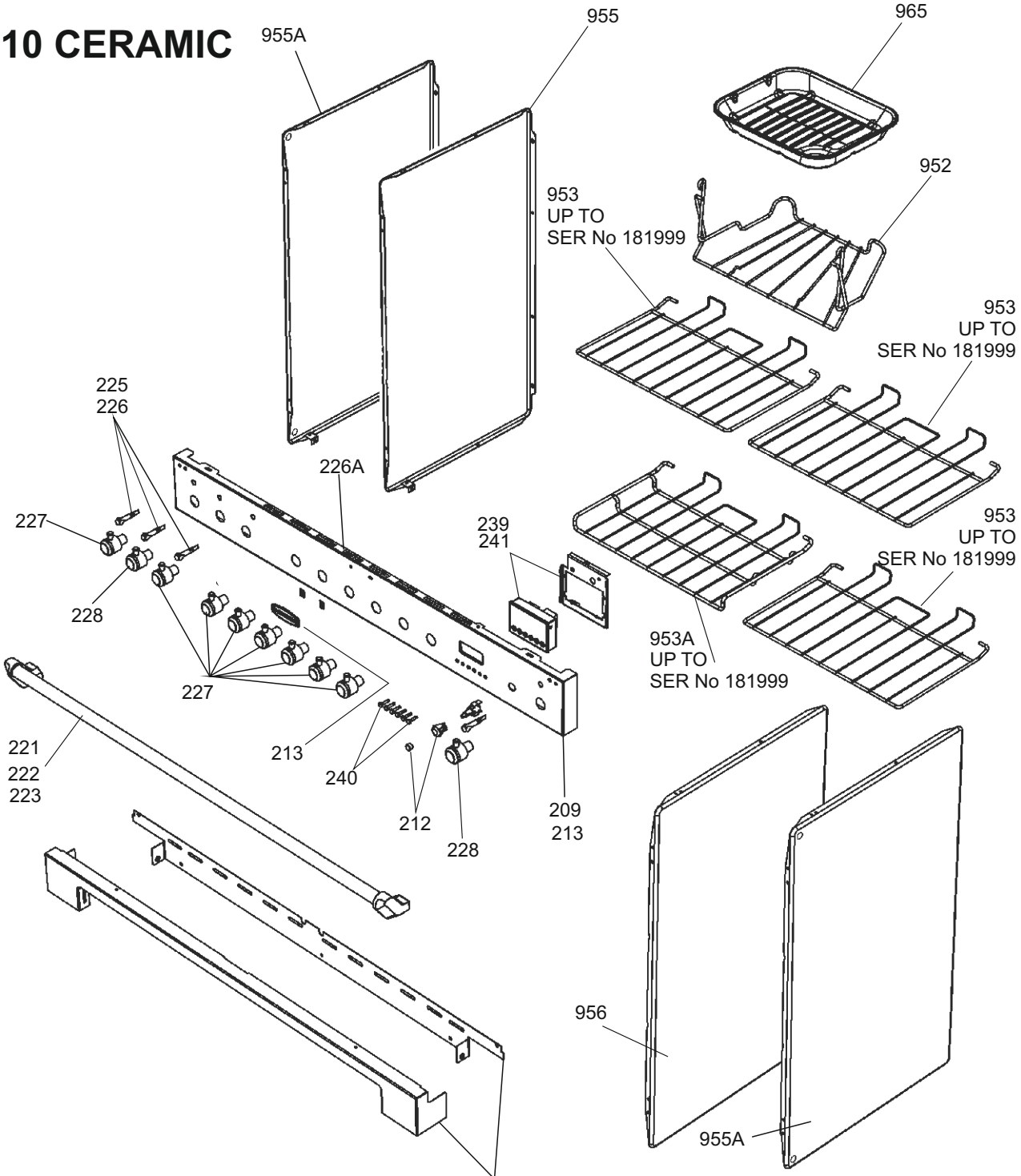


**GRILL CHAMBER ASSY**



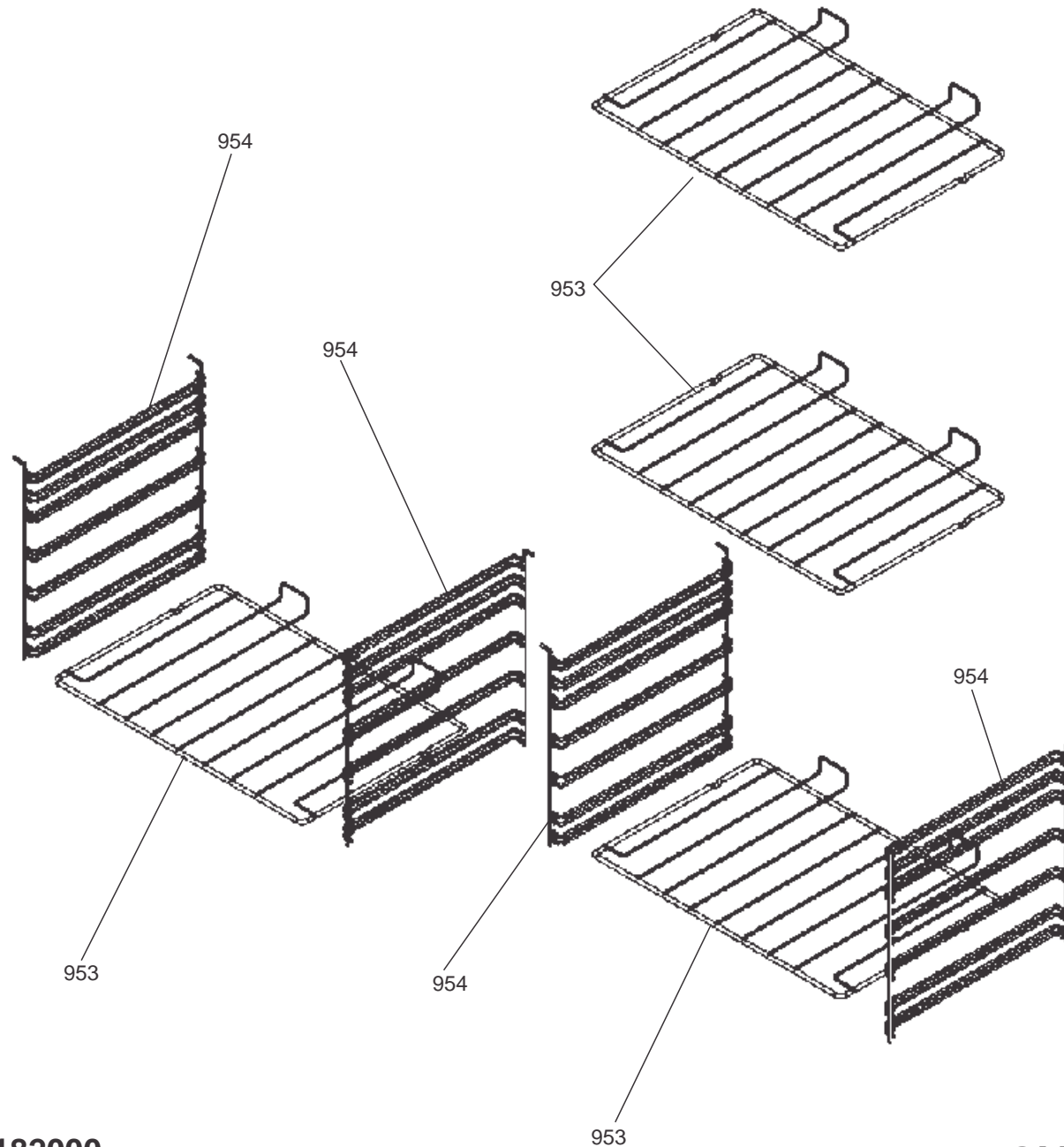
# CLASSIC DL 110 CERAMIC

**DSL0347 P07**  
DATE 24.05.16 ISSUE STATUS 003



## OVEN ACCESSORIES - SIDE PANELS & PLINTHS



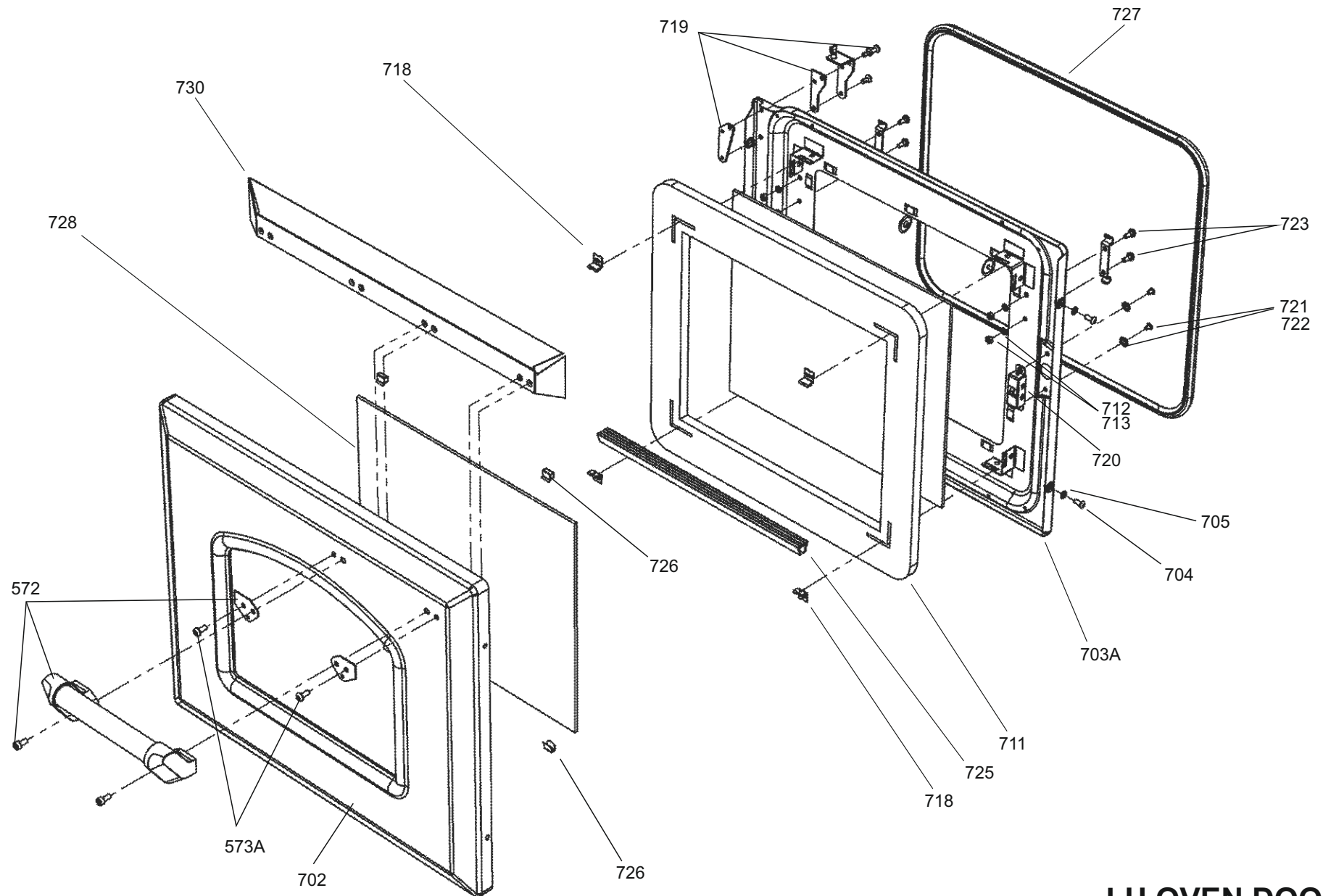


**OVEN SHELVES**  
**FROM SERIAL NUMBER 182000**

**OVEN ACCESSORIES**

ALL MODELS UP TO  
SERIAL No 149999

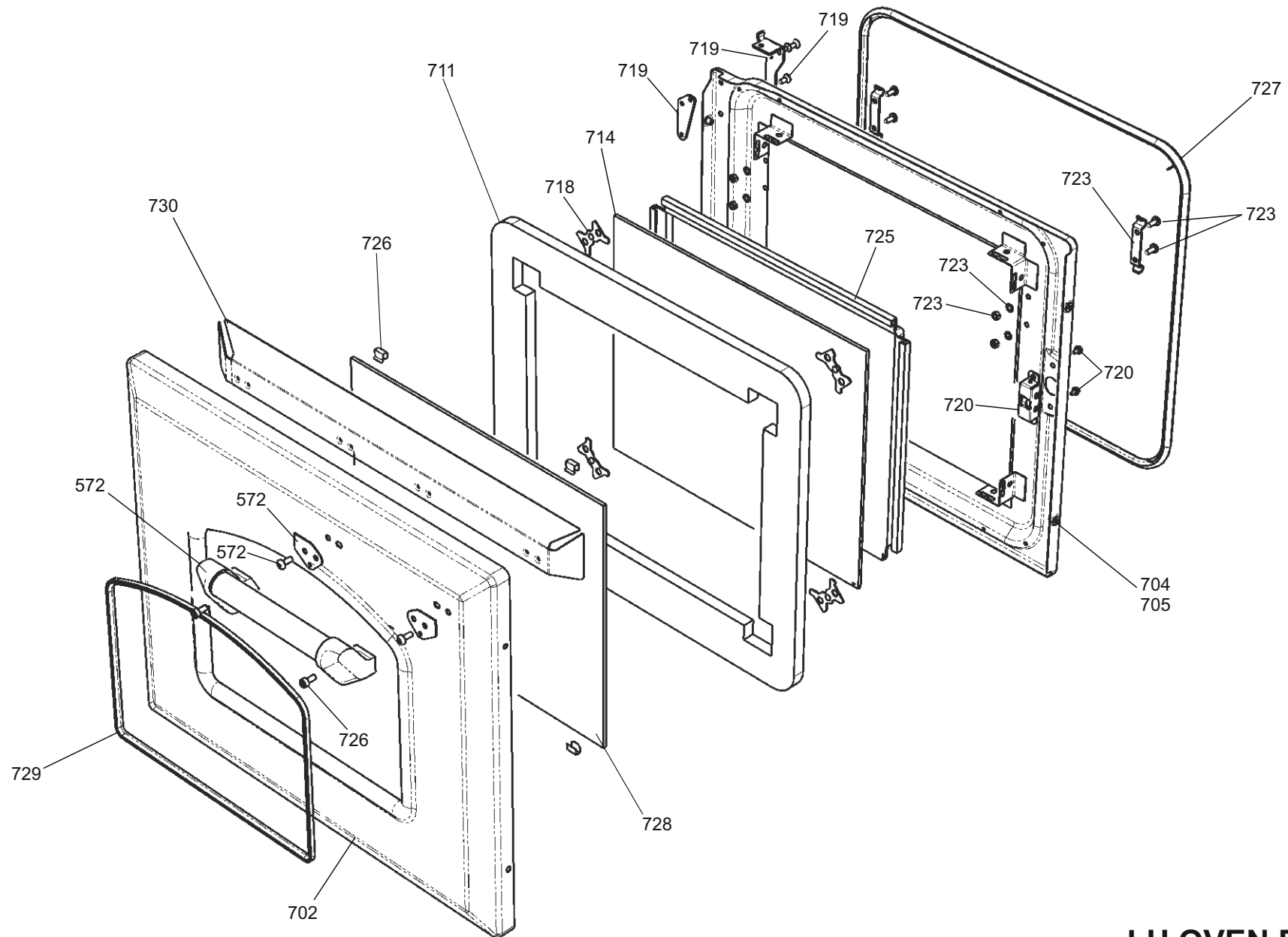
DSL0347 P08  
DATE 19.05.10 ISSUE STATUS 02



**LH OVEN DOOR**

ALL MODELS FROM  
SERIAL No 150000

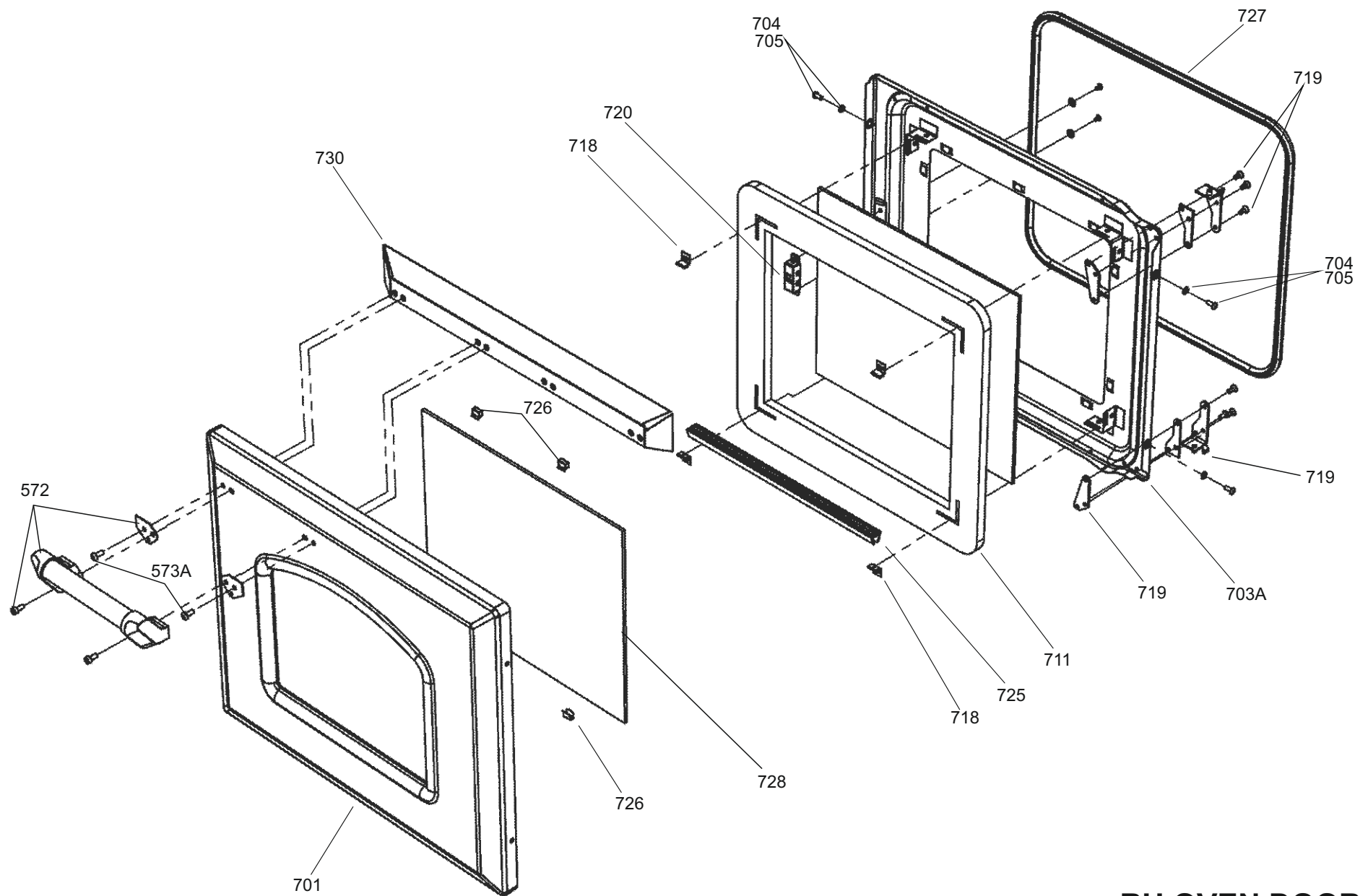
DSL0347 P08A  
DATE 19.05.10 ISSUE STATUS 002



LH OVEN DOOR

ALL MODELS UP TO  
SERIAL No 149999

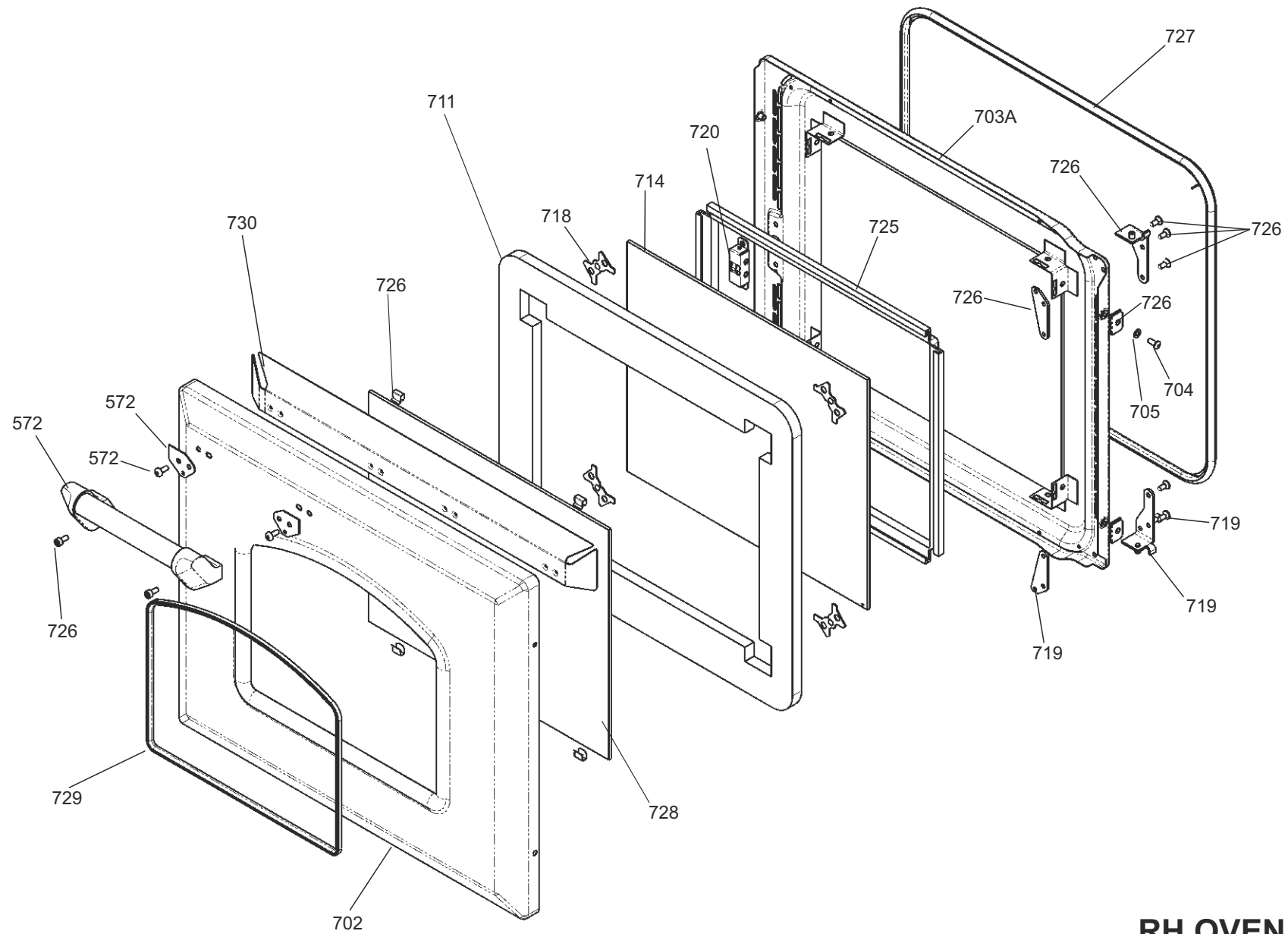
DSL0347 P09  
DATE 19.05.10 ISSUE STATUS 02



**RH OVEN DOOR**

ALL MODELS FROM  
SERIAL No 150000

DSL0347 P09A  
DATE 19.05.10 ISSUE STATUS 001



**RH OVEN DOOR**









