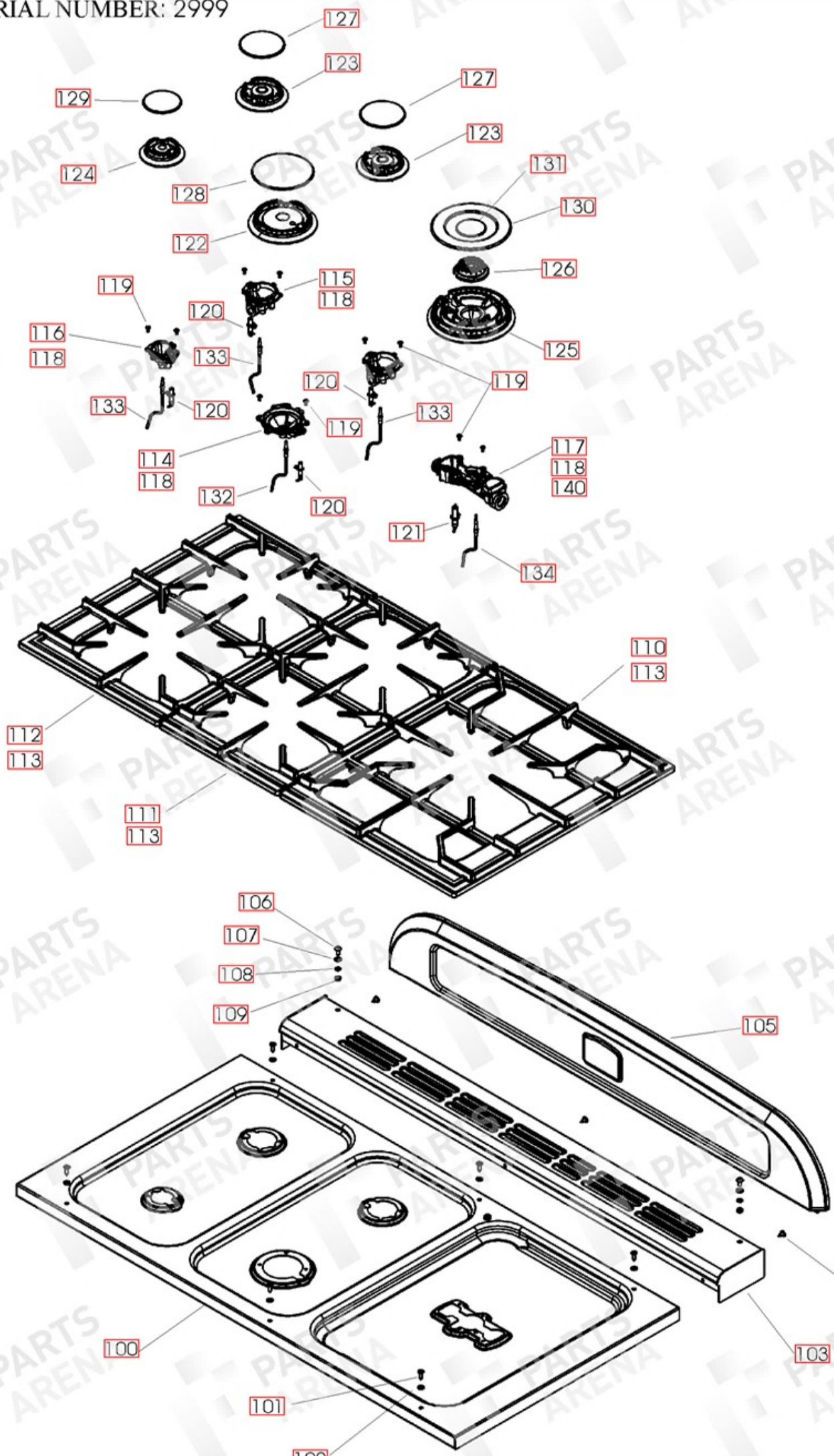
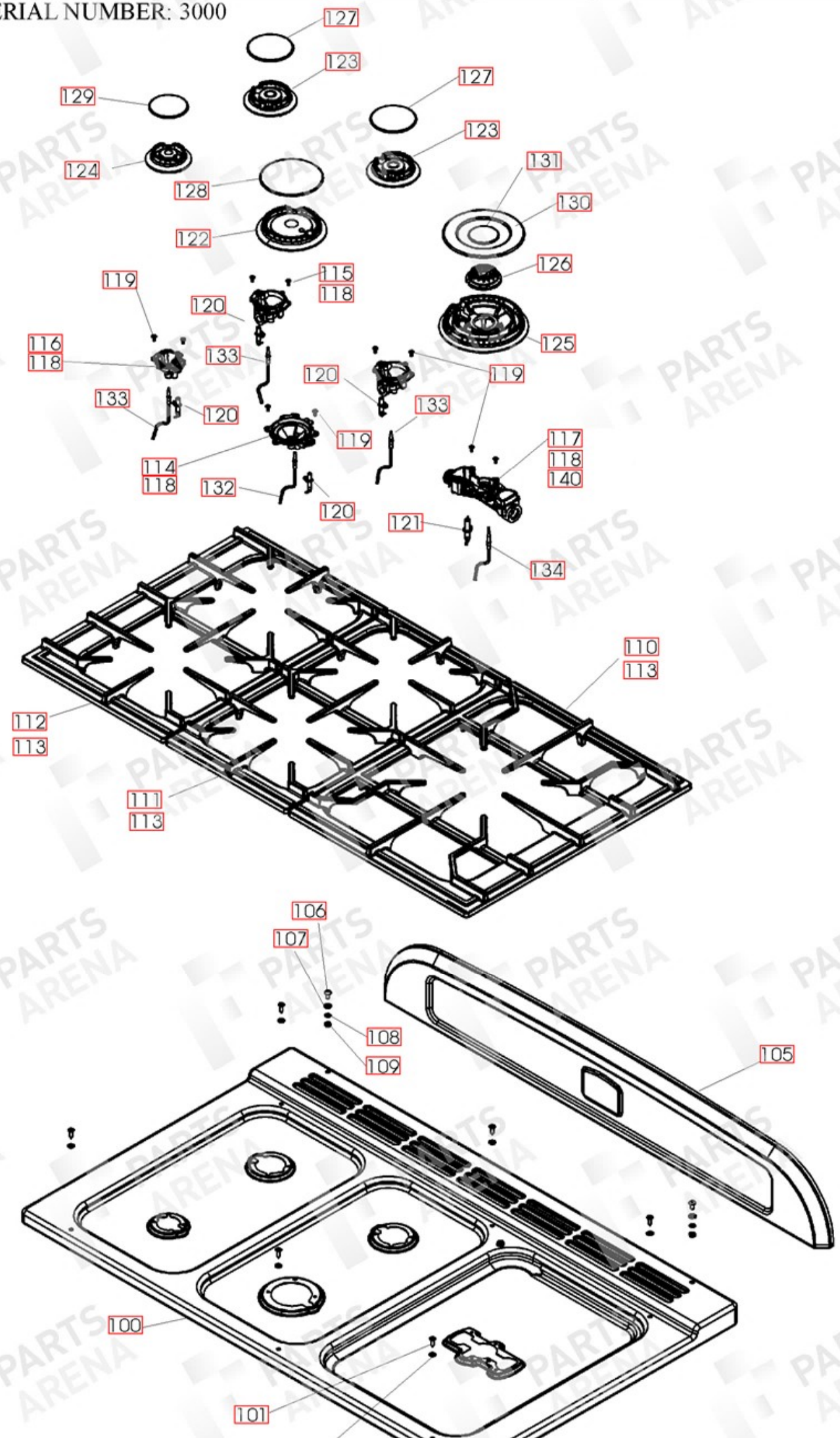
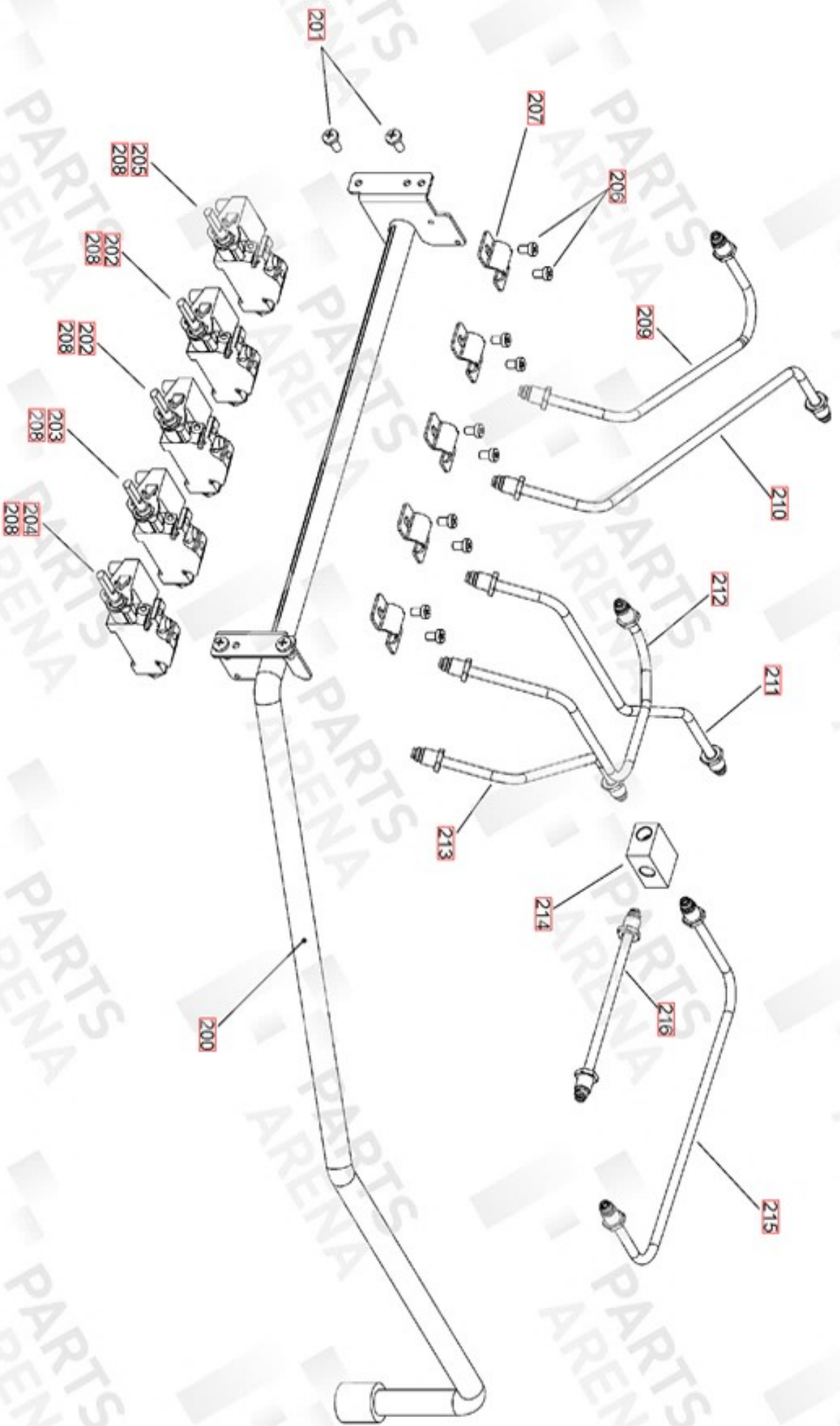


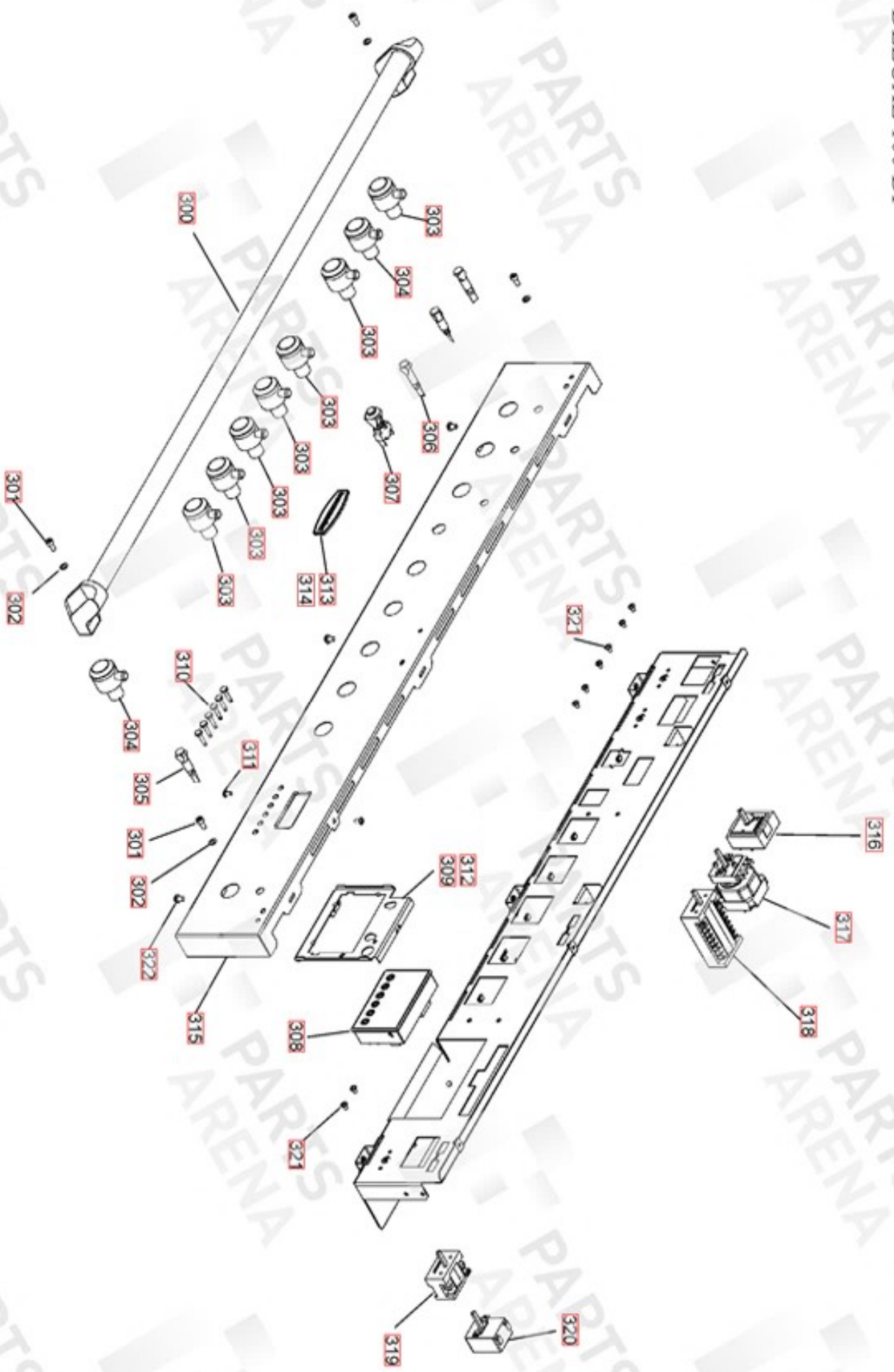
UP TO SERIAL NUMBER: 2999

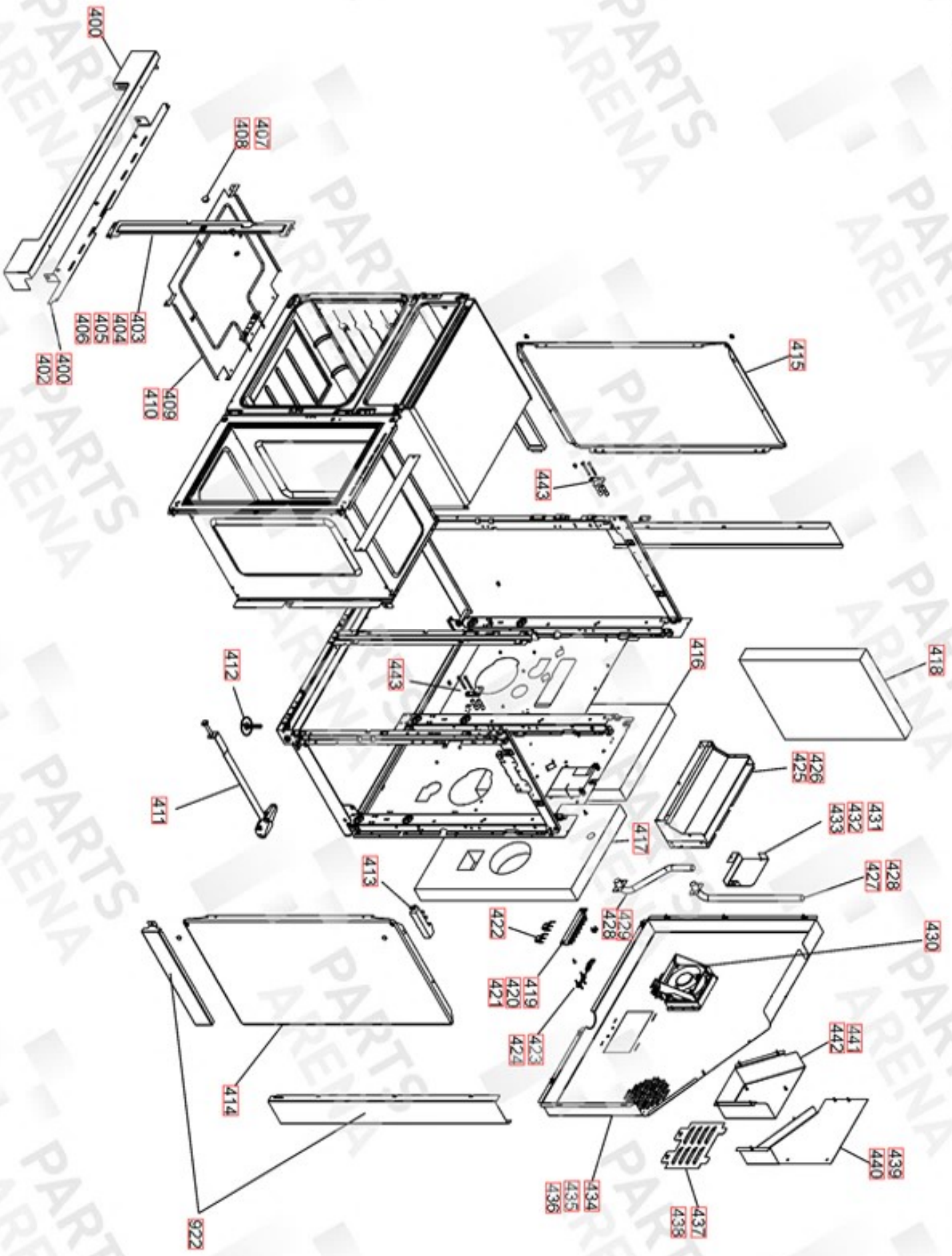


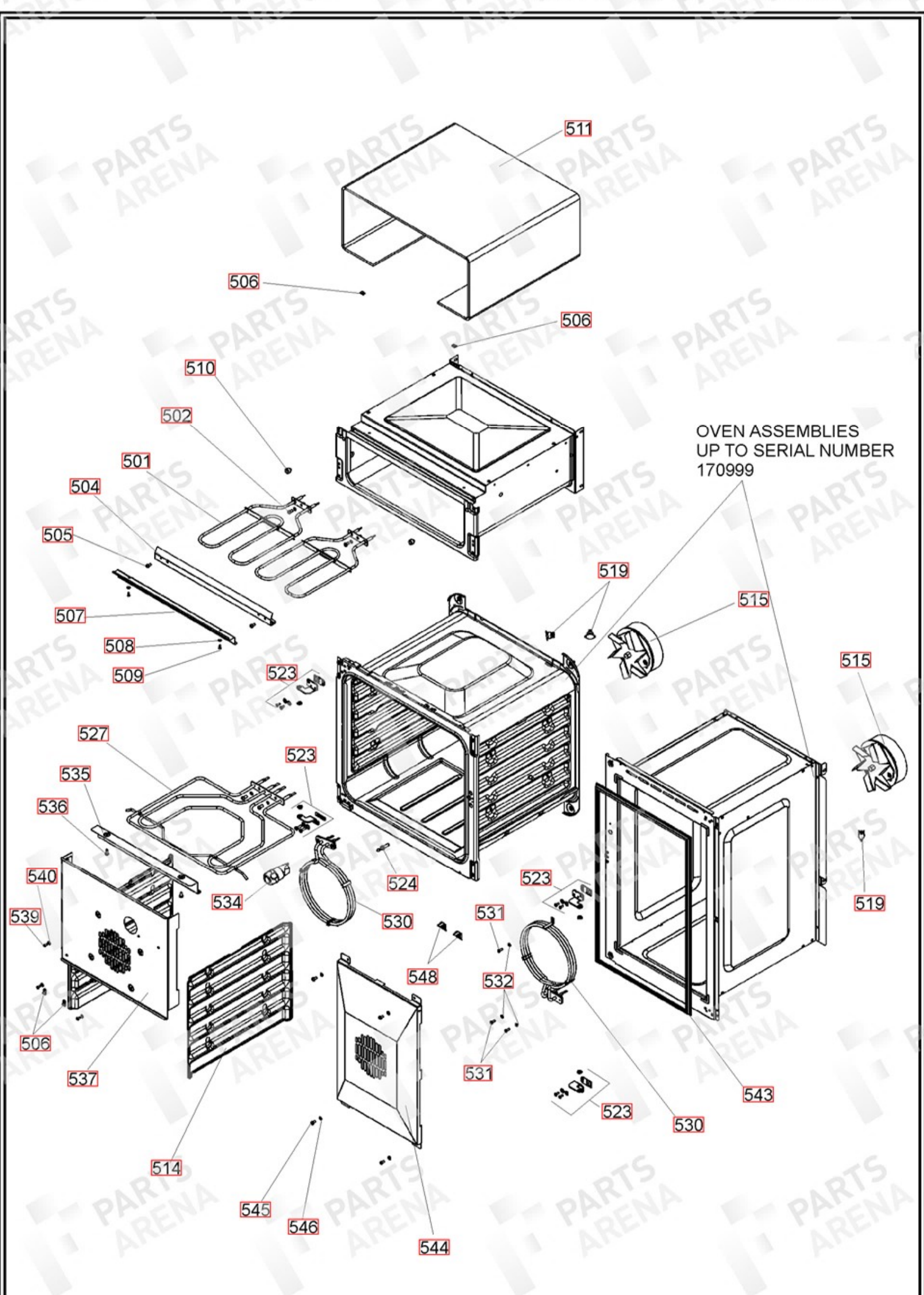
FROM SERIAL NUMBER: 3000





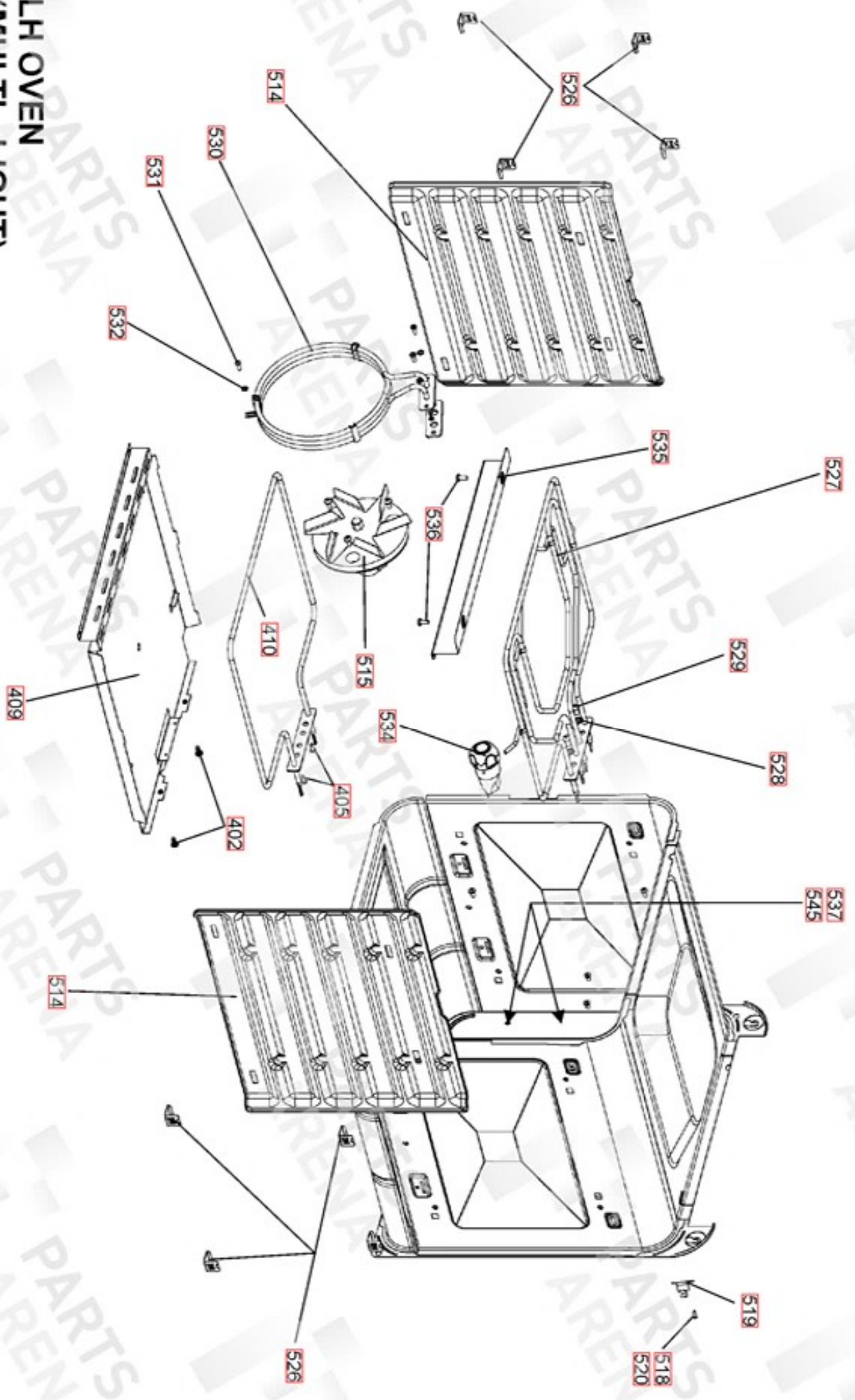






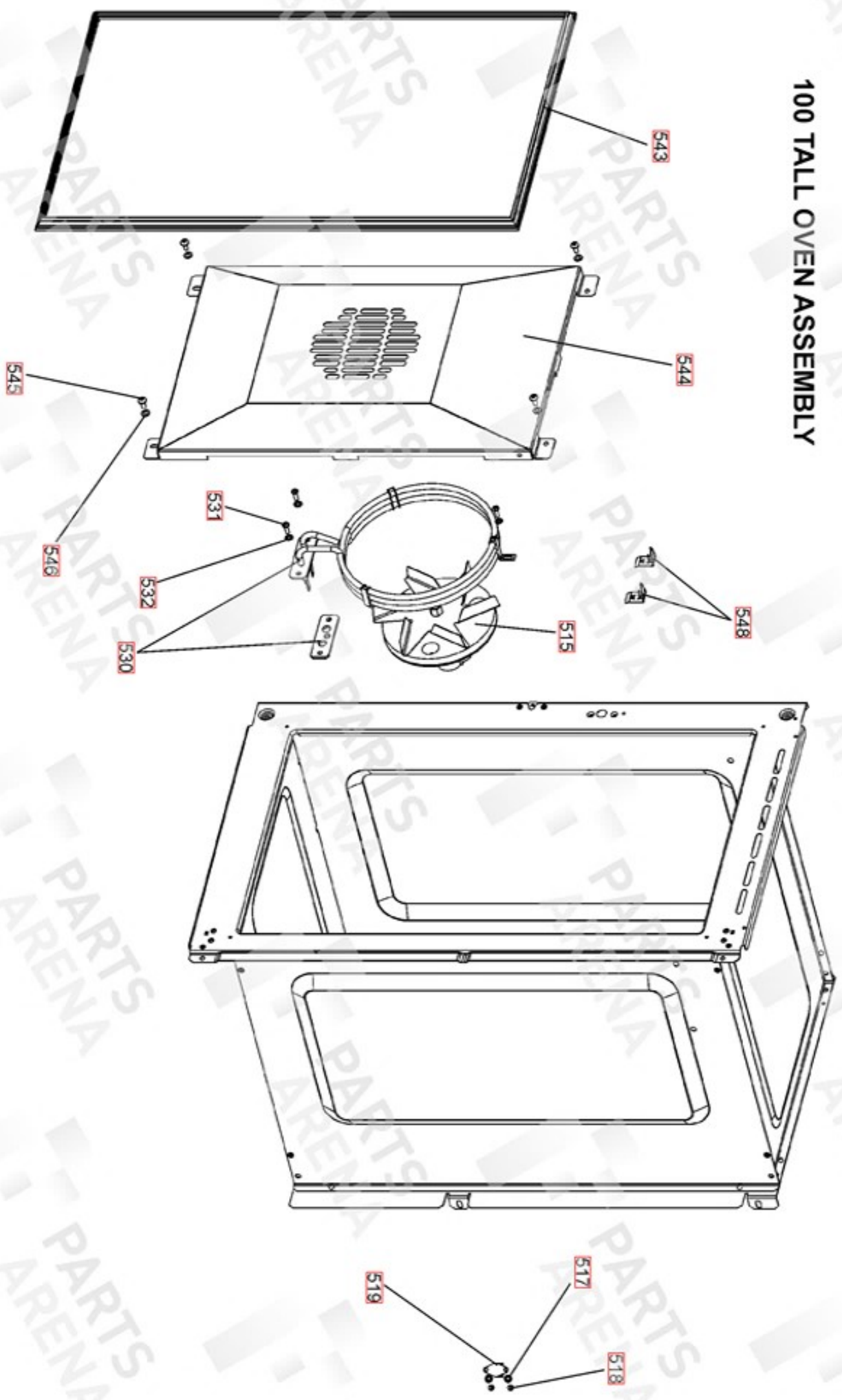
FROM SERIAL NUMBER 171000

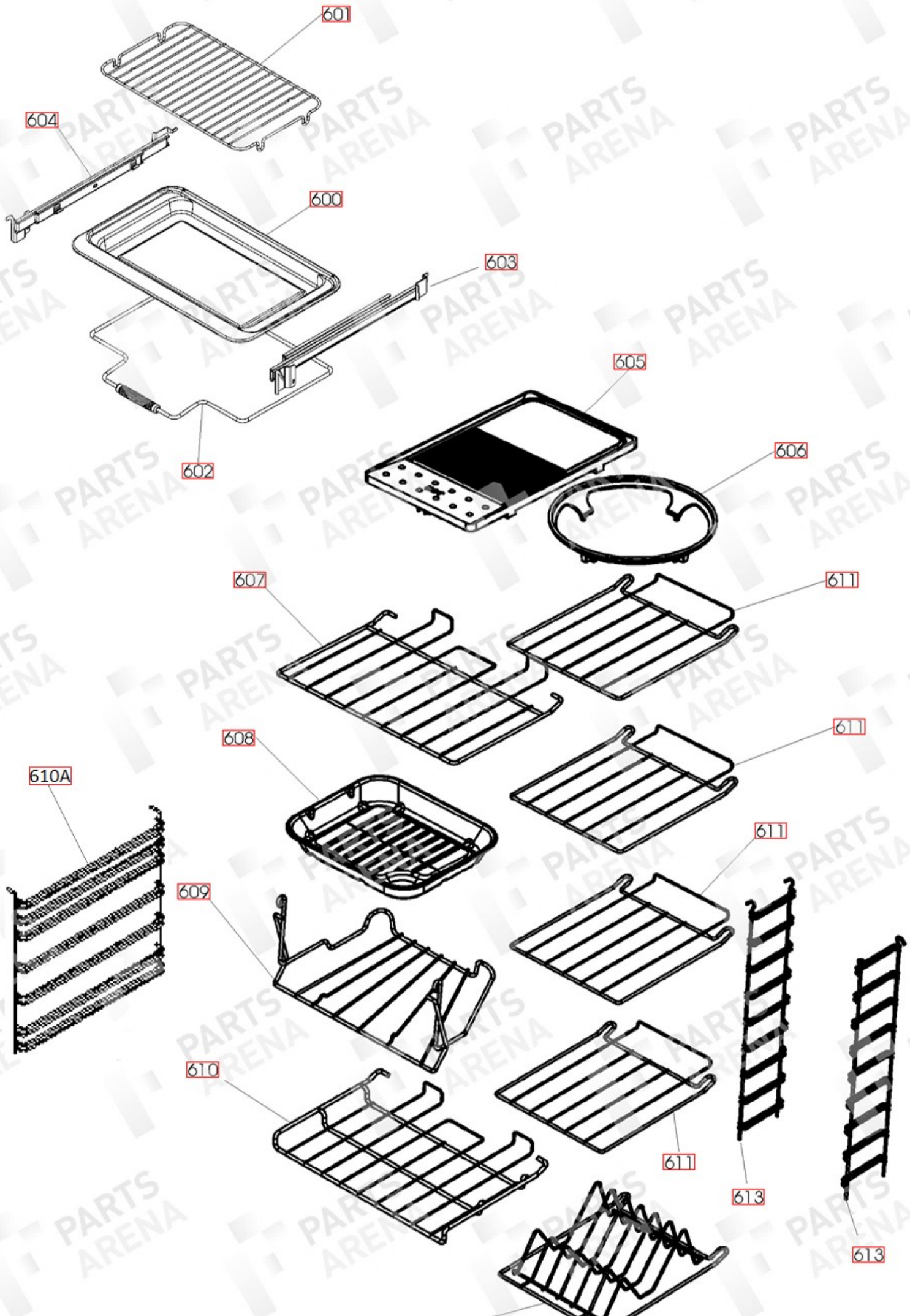
LH OVEN
(MULTI - LIGHT)

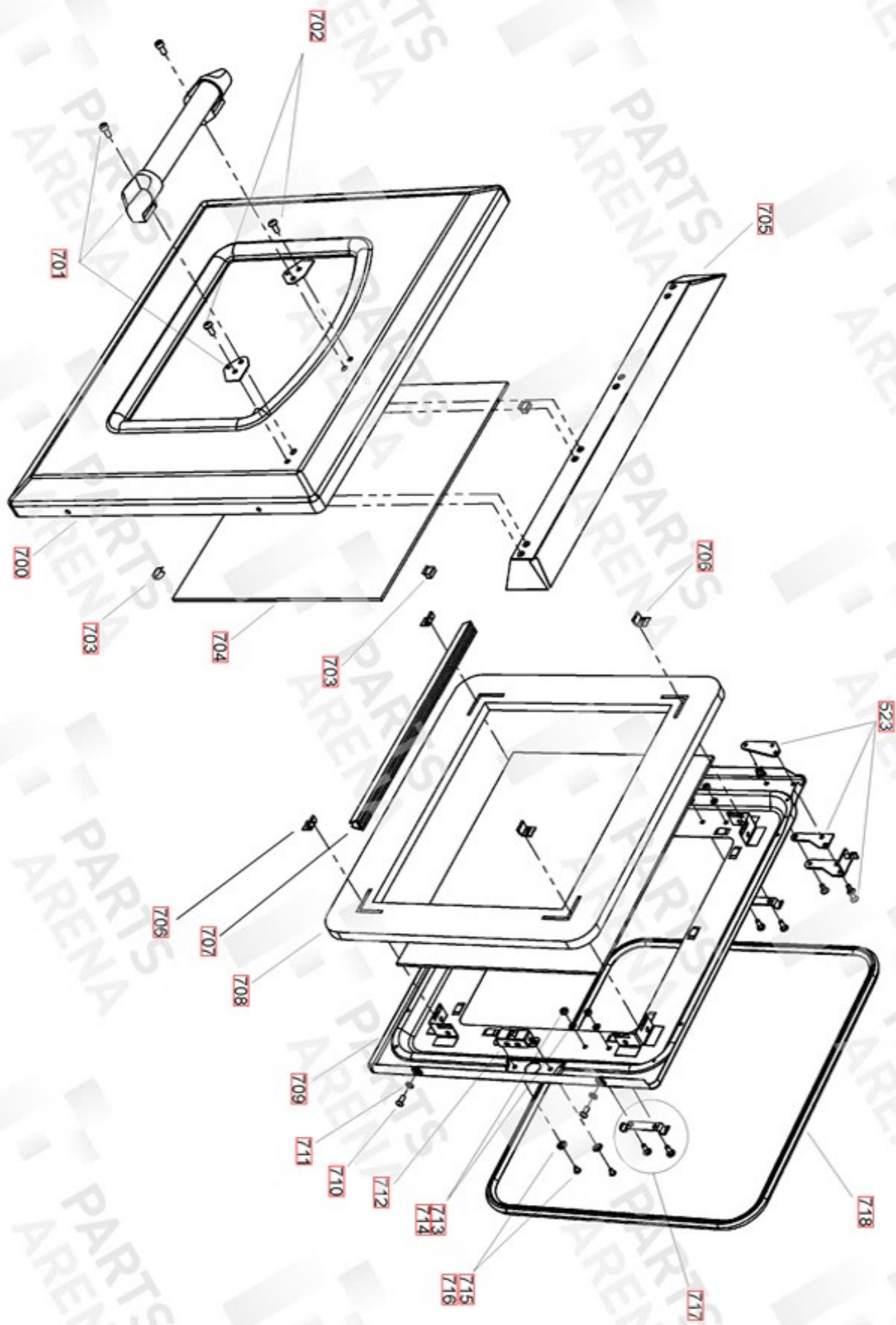


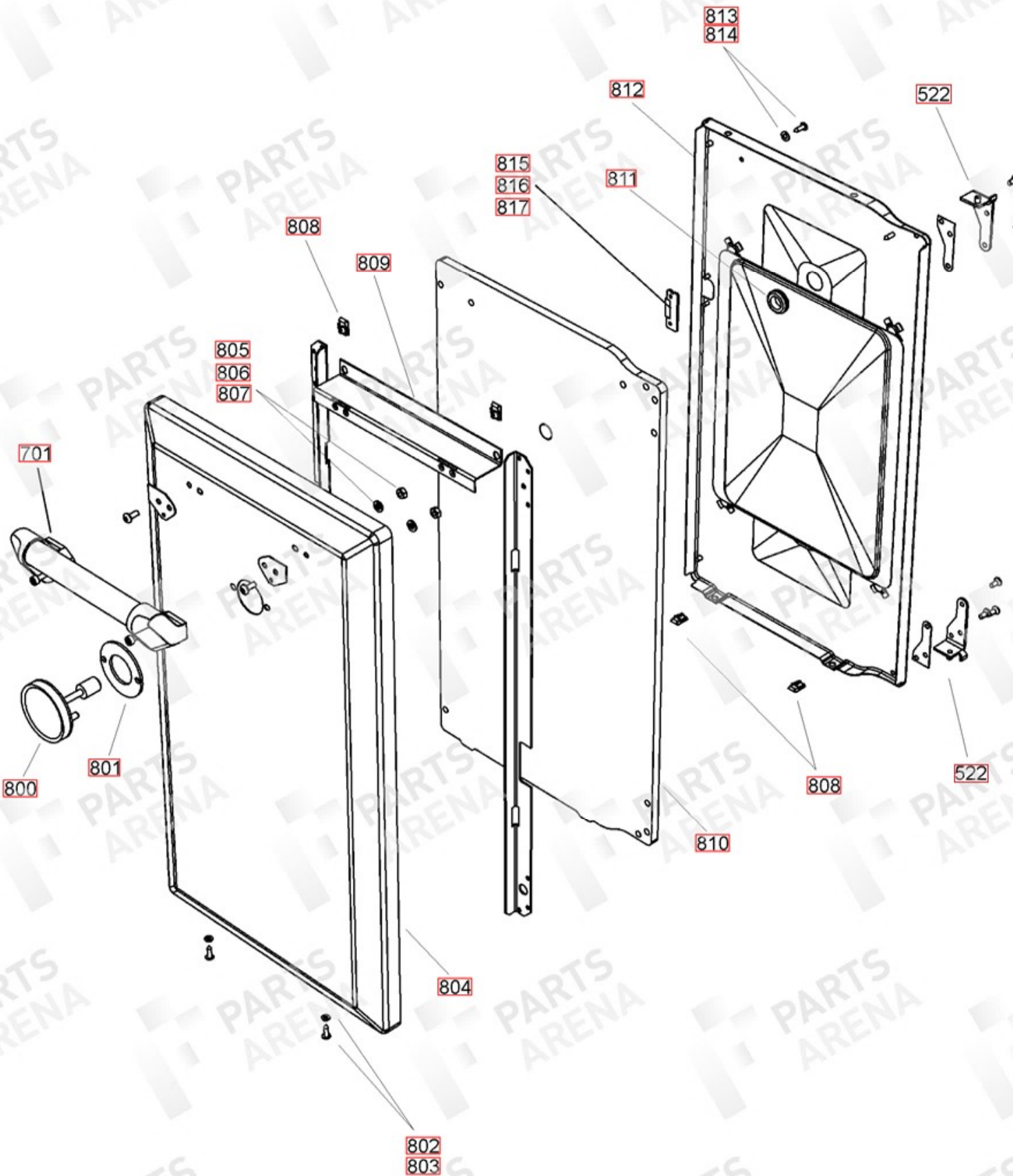
FROM SERIAL NUMBER 171000

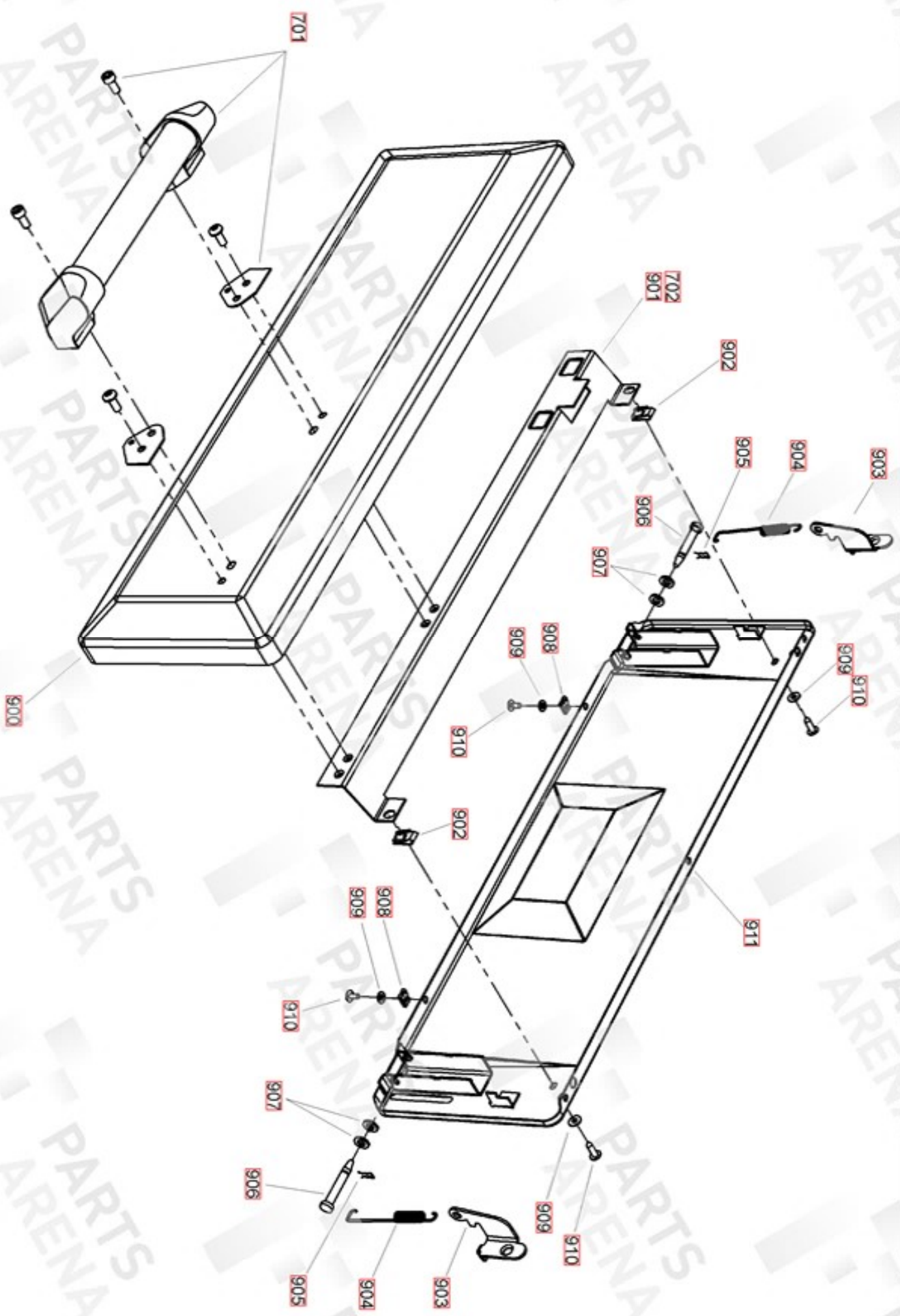
100 TALL OVEN ASSEMBLY

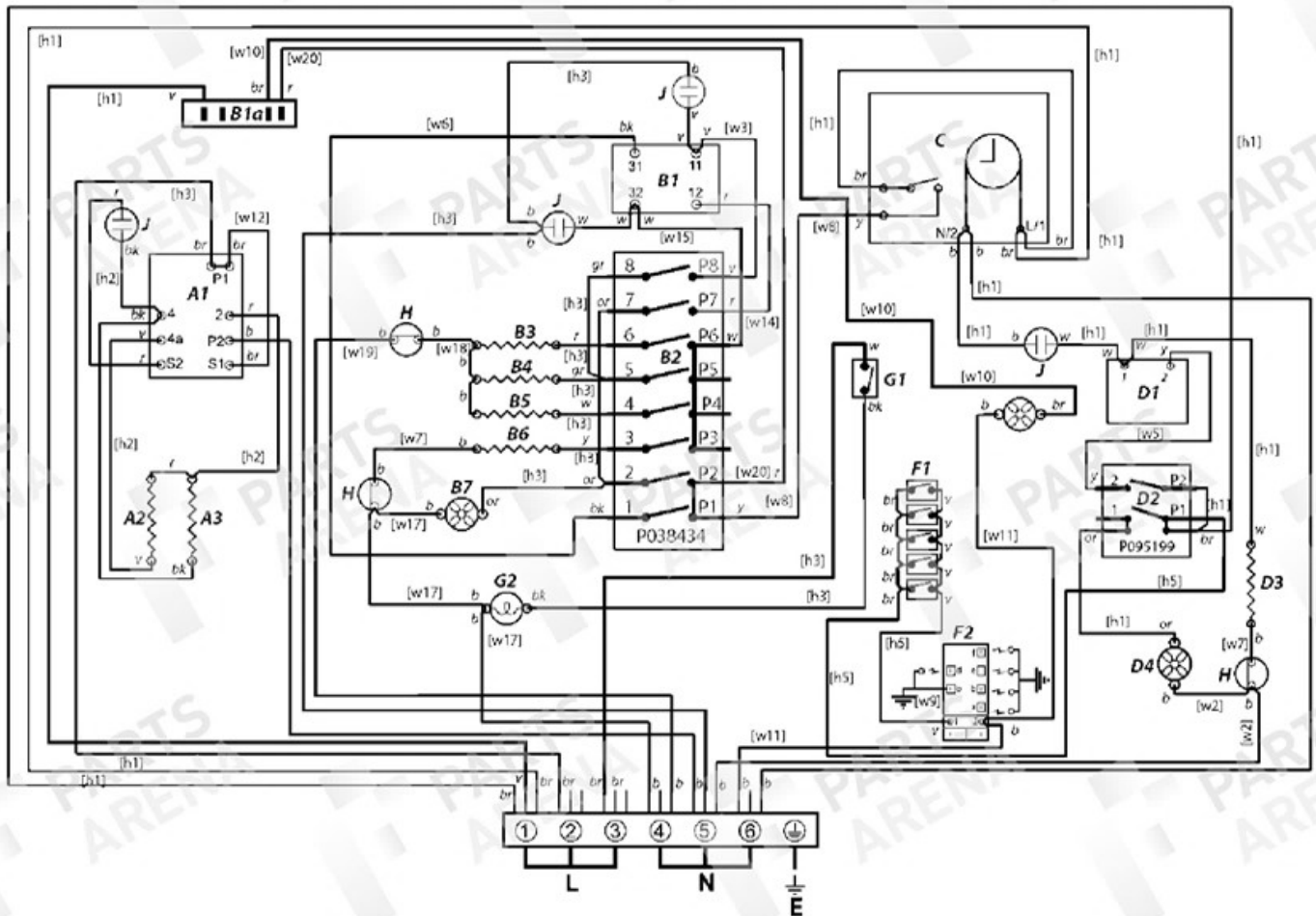












Ref Number	Part number	Quantity	Remarks
w1	P027672	1	Wire Assembly (NI) - Earth Link RH Oven Fan Element
w2	P027733	1	Wire Assembly - RH Oven Neutral Link
w3	P033367	1	Wire Assembly - LH Oven Rapid Heat Neon Link
w4	P033677	1	Wire Assembly (NI) - Earth Link LH Oven
w5	P037663	1	Wire Assembly - RH Oven Feed to Thermostat
w6	P038597	1	Wire Assembly - Feed MF Switch to Rapid Heat Stat (31)
h1	P038909	1	Harness Assembly - RH Oven Harness
w7	P040066	2	Wire Assembly - Oven Over Heat Stat Links LH RH
h2	P045282	1	Harness Assembly - Grill Element Energy Reg Link
h3	P048082	1	Harness Assembly - Grill Energy Reg MF Oven Switch Feed
w8	P048632	1	Wire Assembly - Clock to MF Oven Live Feed
w9	P049241	1	Wire Assembly - Spark Gen Earth - Position C
h4	P049242	1	Harness Assembly (NI) - Spark Gen Harness
h5	P049254	1	Harness Assembly - Gas Ignition Switch (Fitted by BS1)
w10	P050508	1	Wire Assembly - Cooling Fan Feed
w11	P050509	1	Wire Assembly - Neutral Link - Cooling Fan/Spark Gen
w12	P055344	1	Wire Assembly - Energy Reg Link - Neon Feed - Grill
w13	P055374	2	Wire Assembly (NI) - Grill Element Earths
w14	P040719	1	Wire Assembly - Feed MF Switch to Rapid Heat Stat (12)
w15	P095565	1	Wire Assembly - LH Oven MF Neon Link
w16	P094943	2	Wire Assembly (NI) - RH Oven Thermostat HotPlate Earth
w17	P050966	1	Wire Assembly - Harness Neutral LH Oven Fan Element Light
w18	P040894	1	Wire Assembly - Base Element Top Elements Neutral
w19	P042916	1	Wire Assembly - Terminal Block to Thermal Trip
w20	P040719	1	Wire Assembly - MF Switch to Cooling Fan Switch

NI Not Illustrated
w Single Cable / single cable with multiple terminations
h Harness assembly (including single wires that are sheathed)

Code	Description
A1	Grill Energy Regulator
A2	Grill Element Left Hand Side
A3	Grill Element Right Hand Side
B1	Left Hand Oven Thermostat
B1a	Left Hand Oven Thermostat Switch
B2	Left Hand Oven Switch
B3	Left Hand Oven Base Element
B4	Left Hand Oven Top Element
B5	Left Hand Oven Fan Browning Element
B6	Left Hand Oven Fan Element
B7	Left Hand Oven Fan

Code	Description
C	Clock /Oven Timer
D1	Right hand thermostat
D2	Right hand oven switch
D3	Right hand oven element
D4	Right hand oven fan
F1	Ignition switch
F2	Ignition generator
G1	Oven light switch
G2	Oven light
H	Thermal cutout
J	Neon
K	In line connector

Code	Colour
b	Blue
br	Brown
bk	Black
or	Orange
r	red
v	violet
w	White
y	yellow
gr	Grey