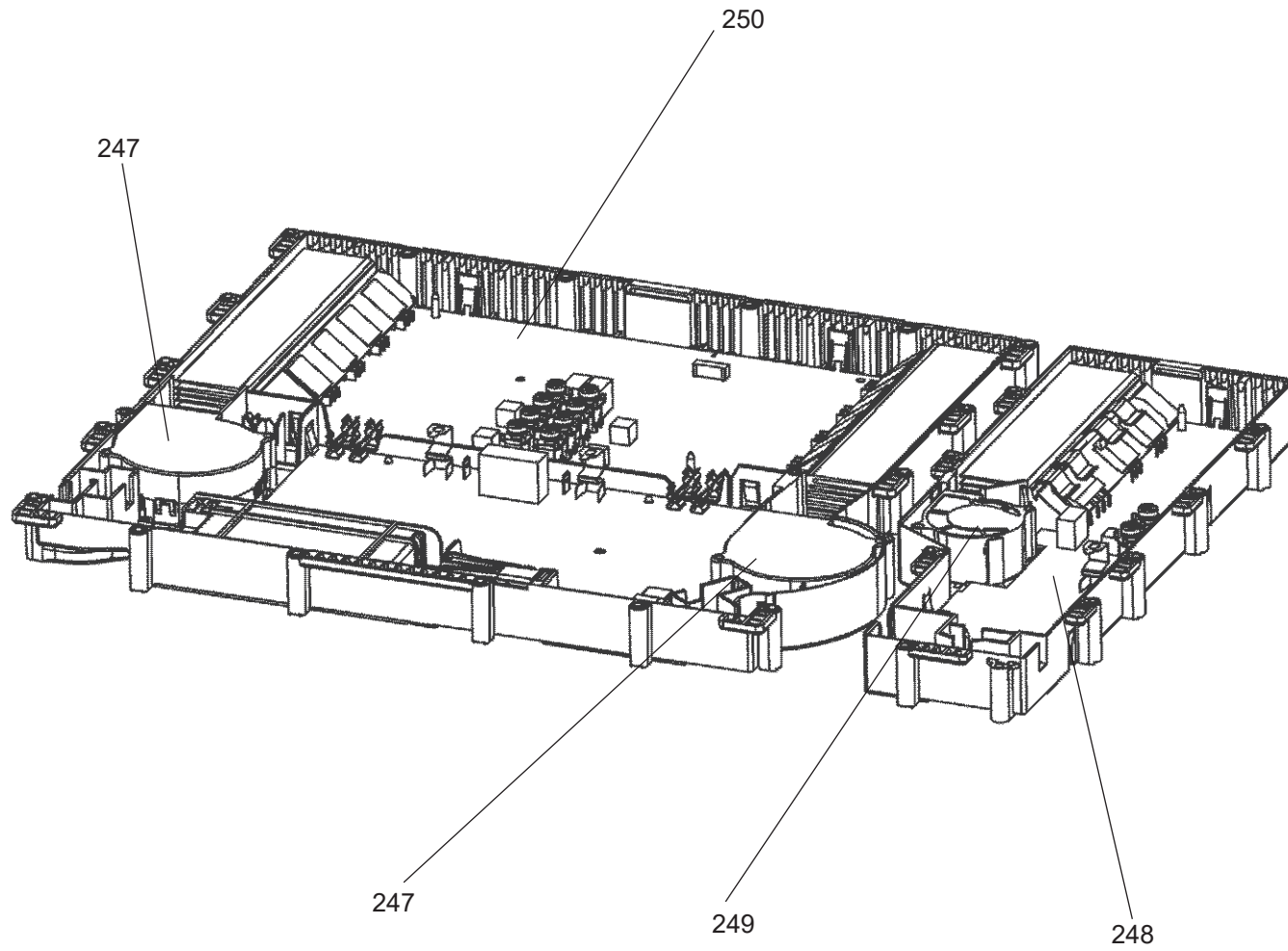
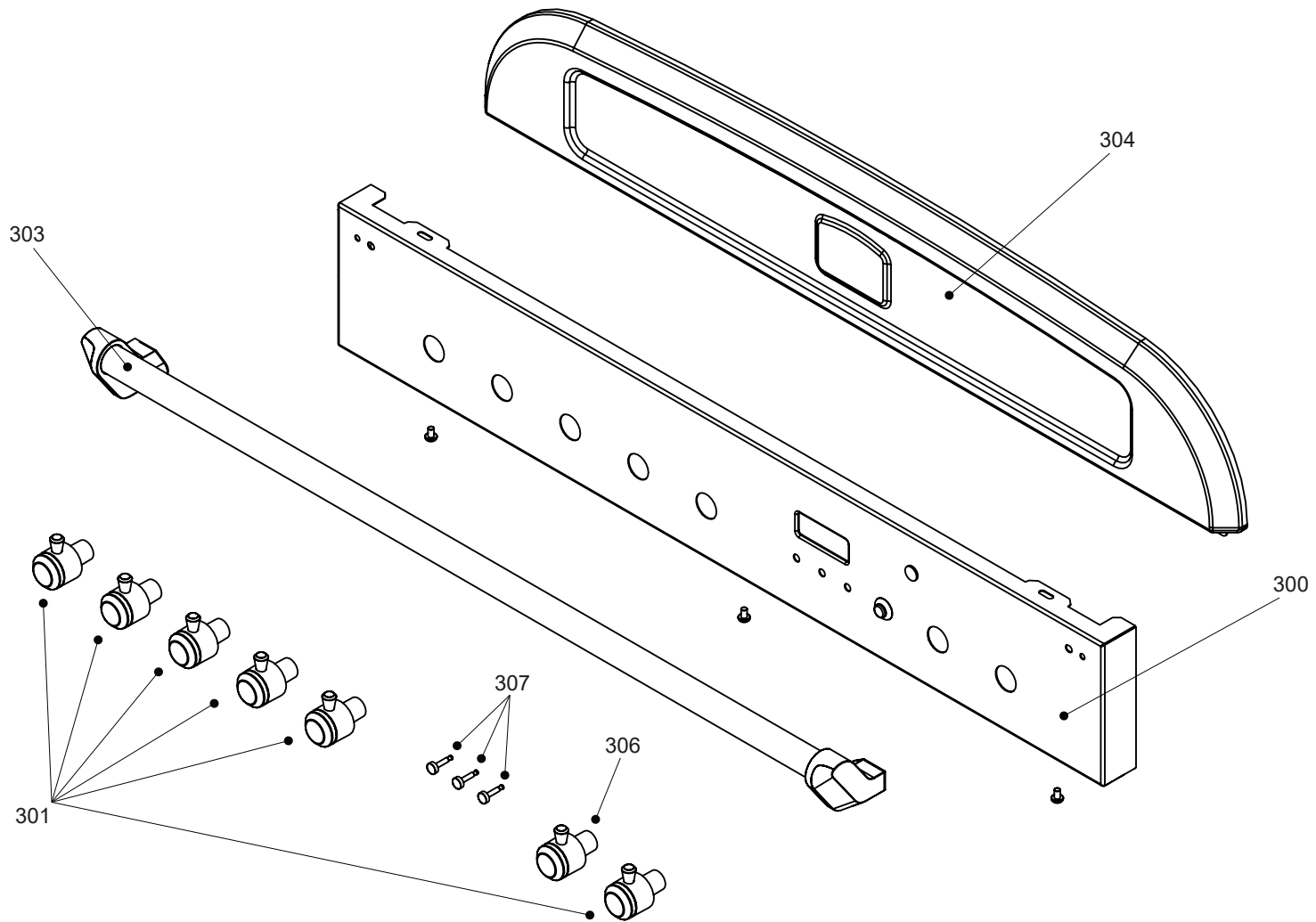
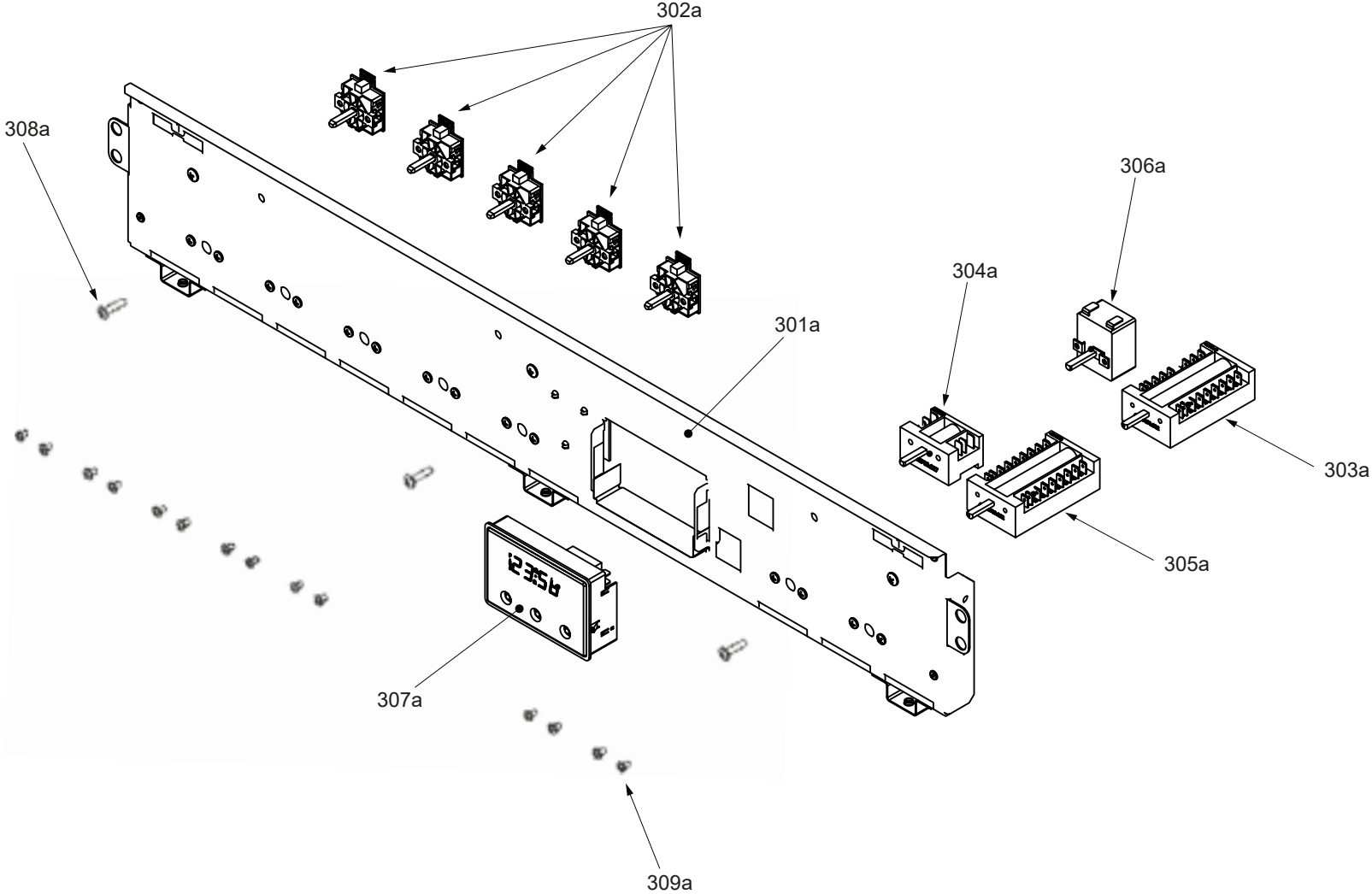


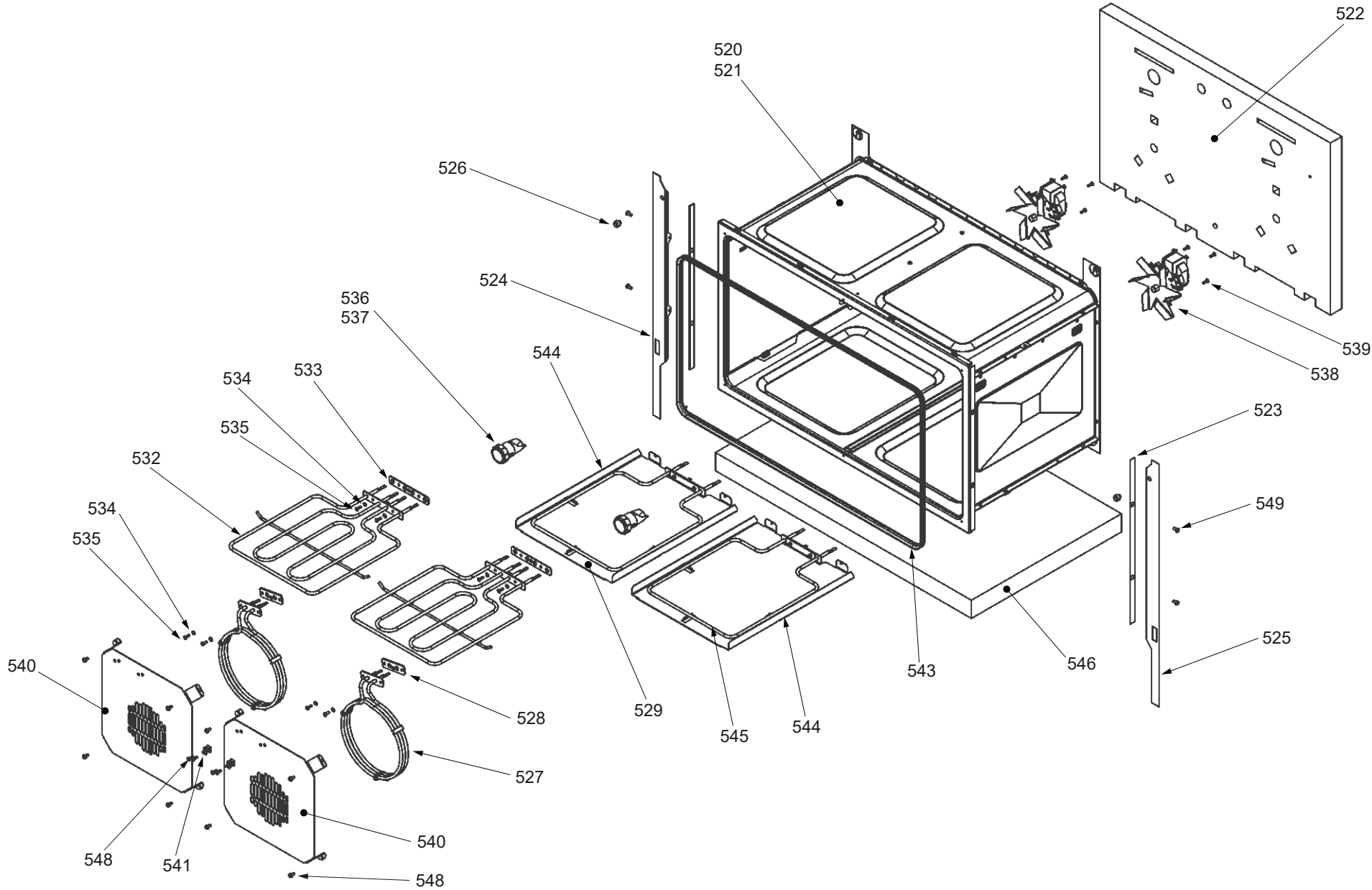
HOB AND INDUCTION ASSEMBLY

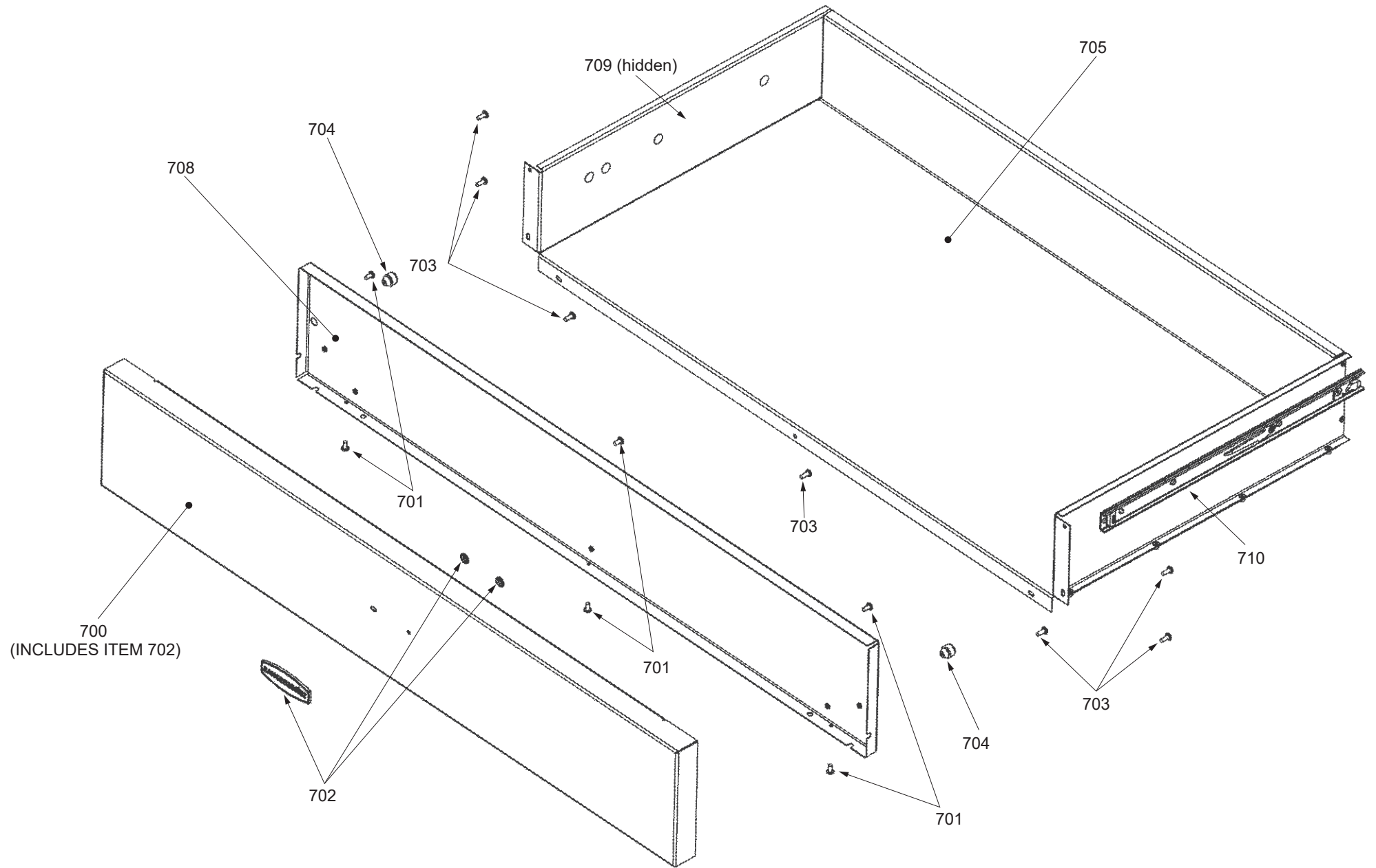


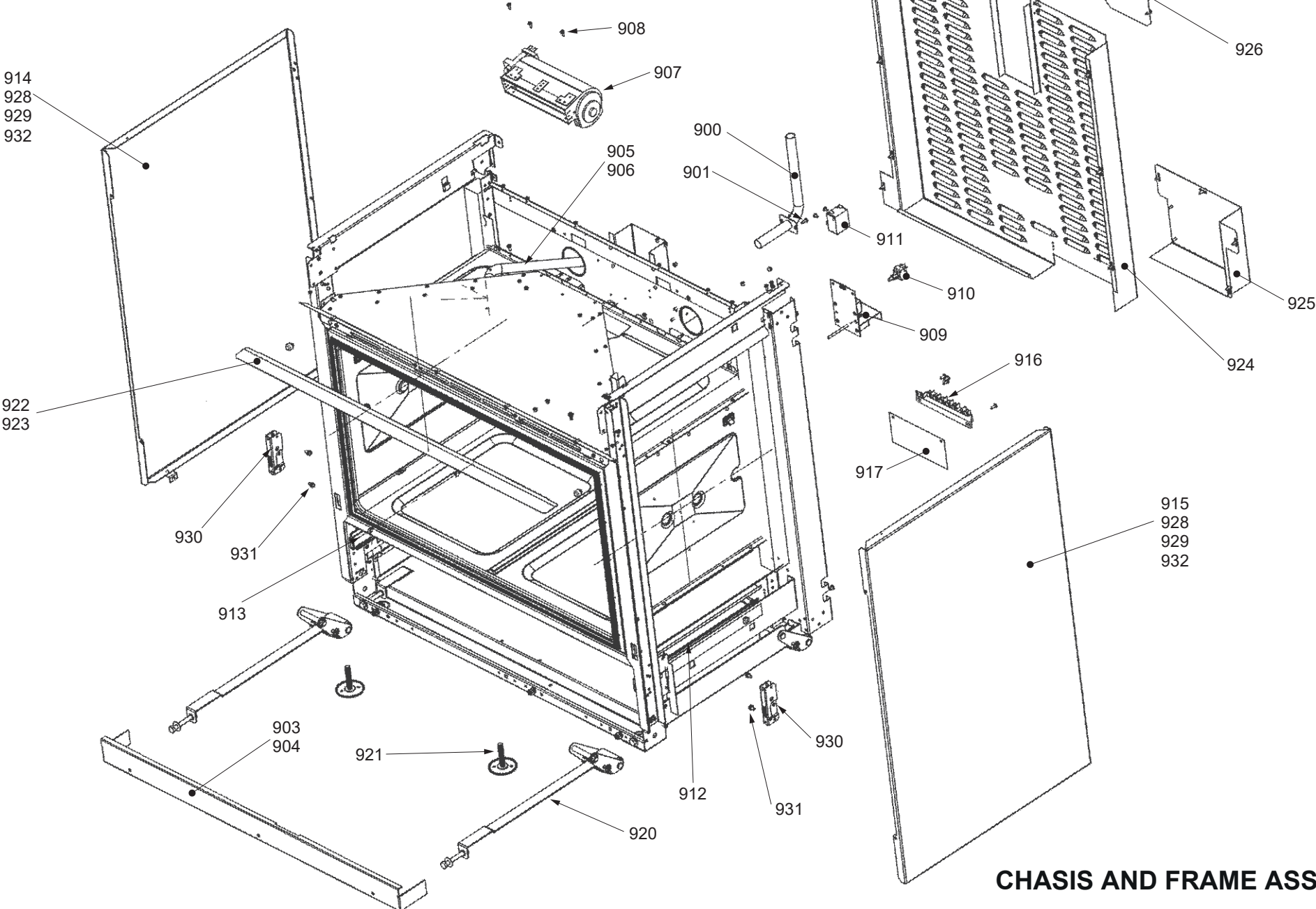




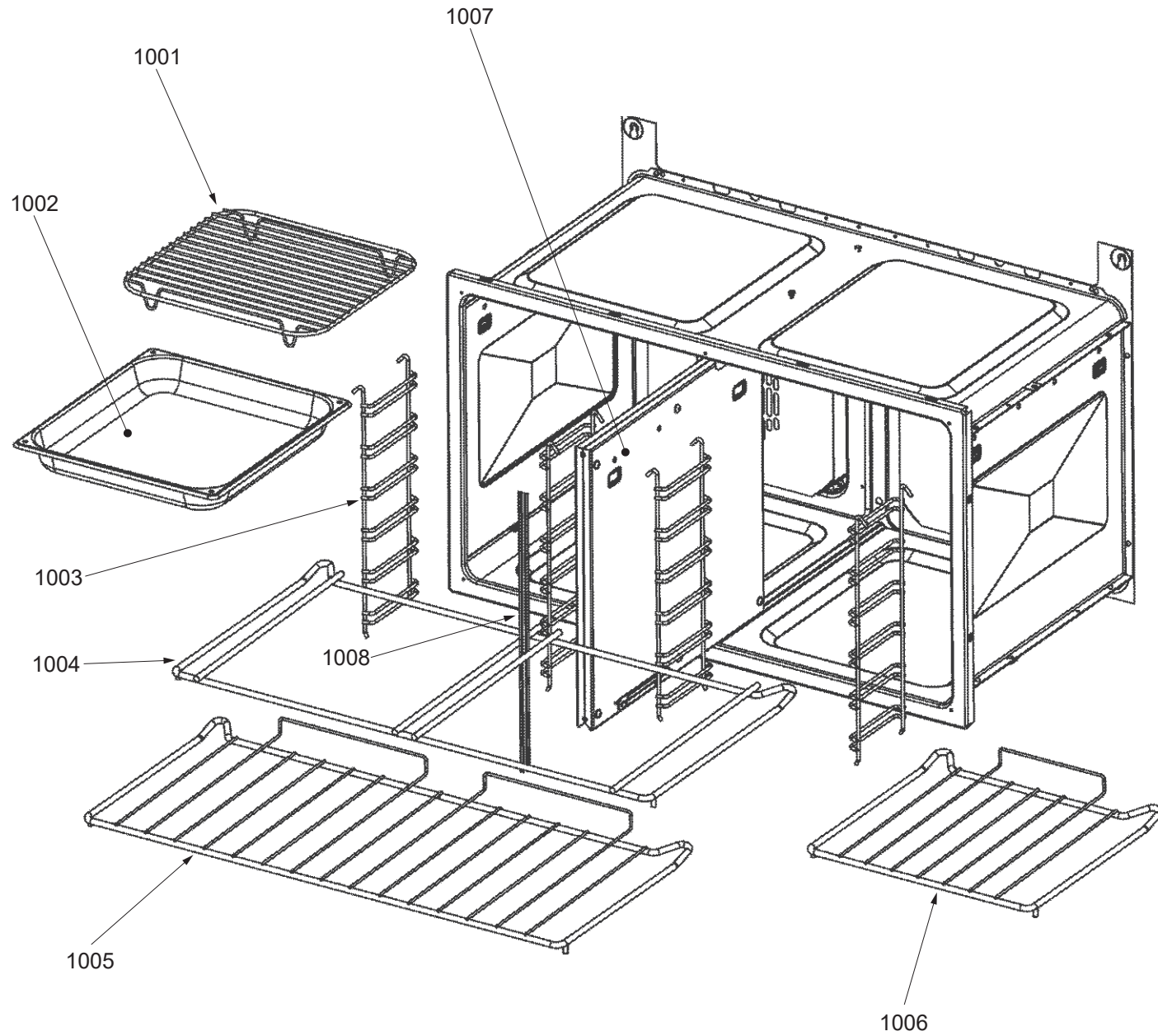
INNER CONTROL PANEL ASSEMBLY

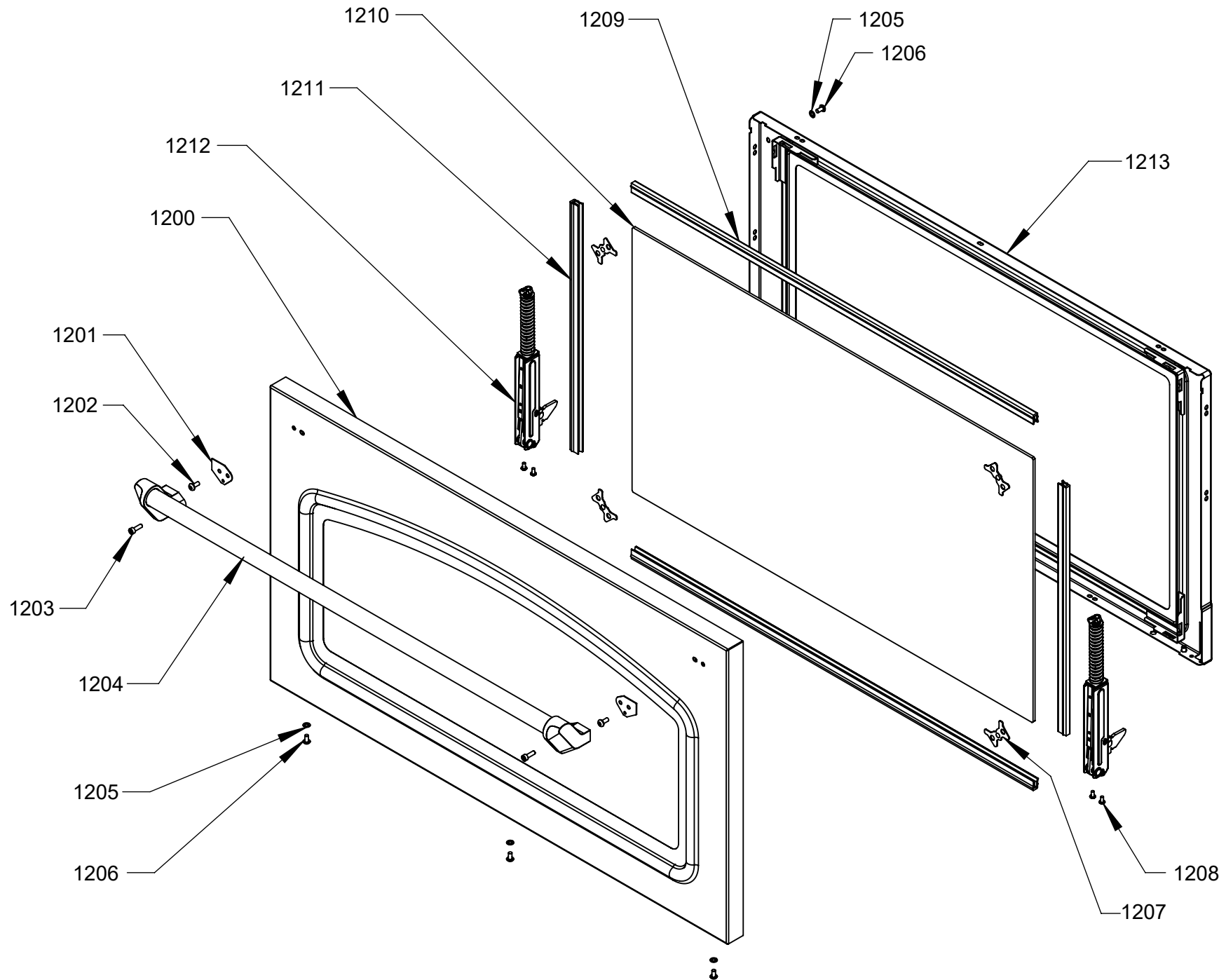


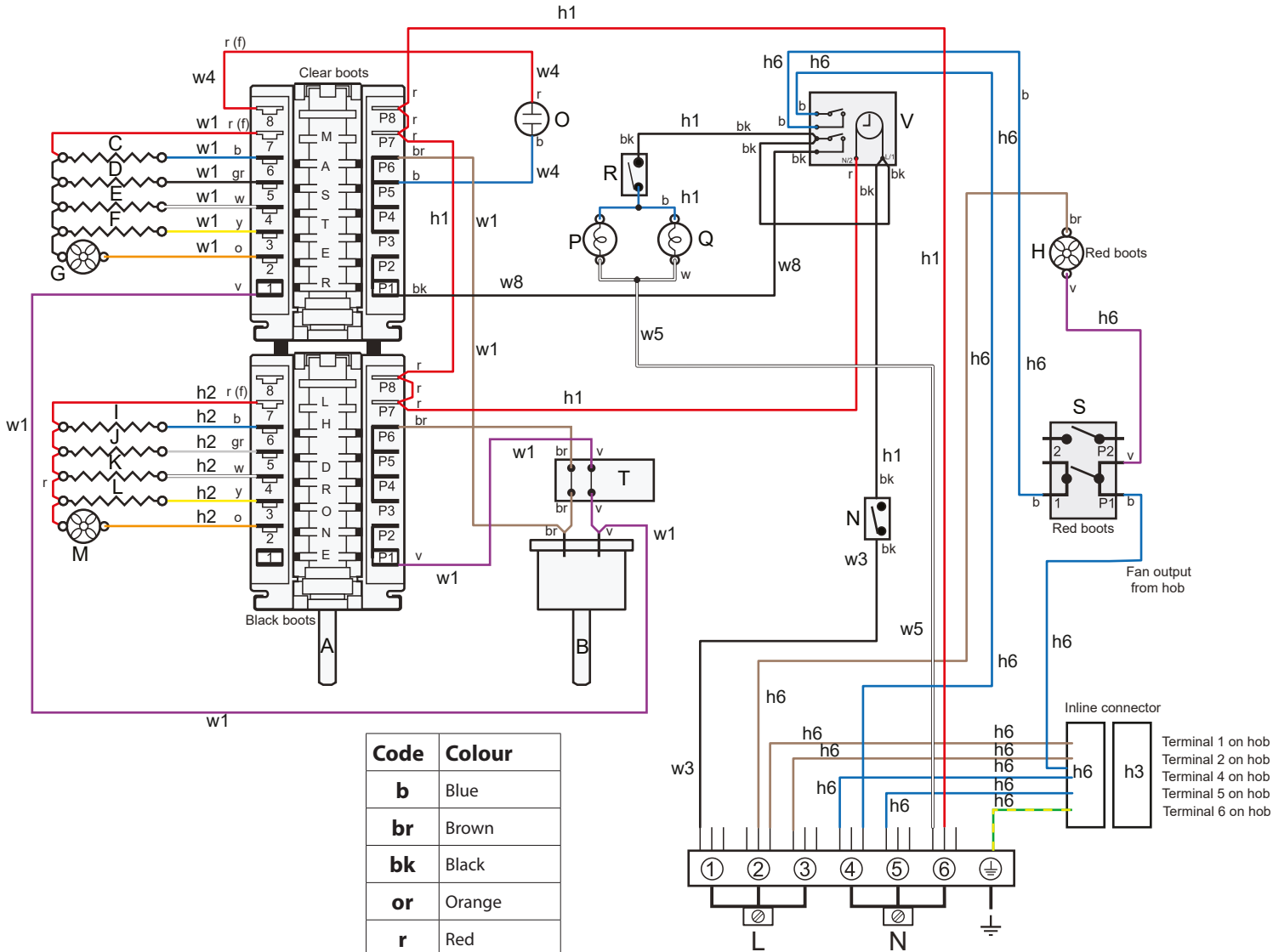




CHASIS AND FRAME ASSEMBLY



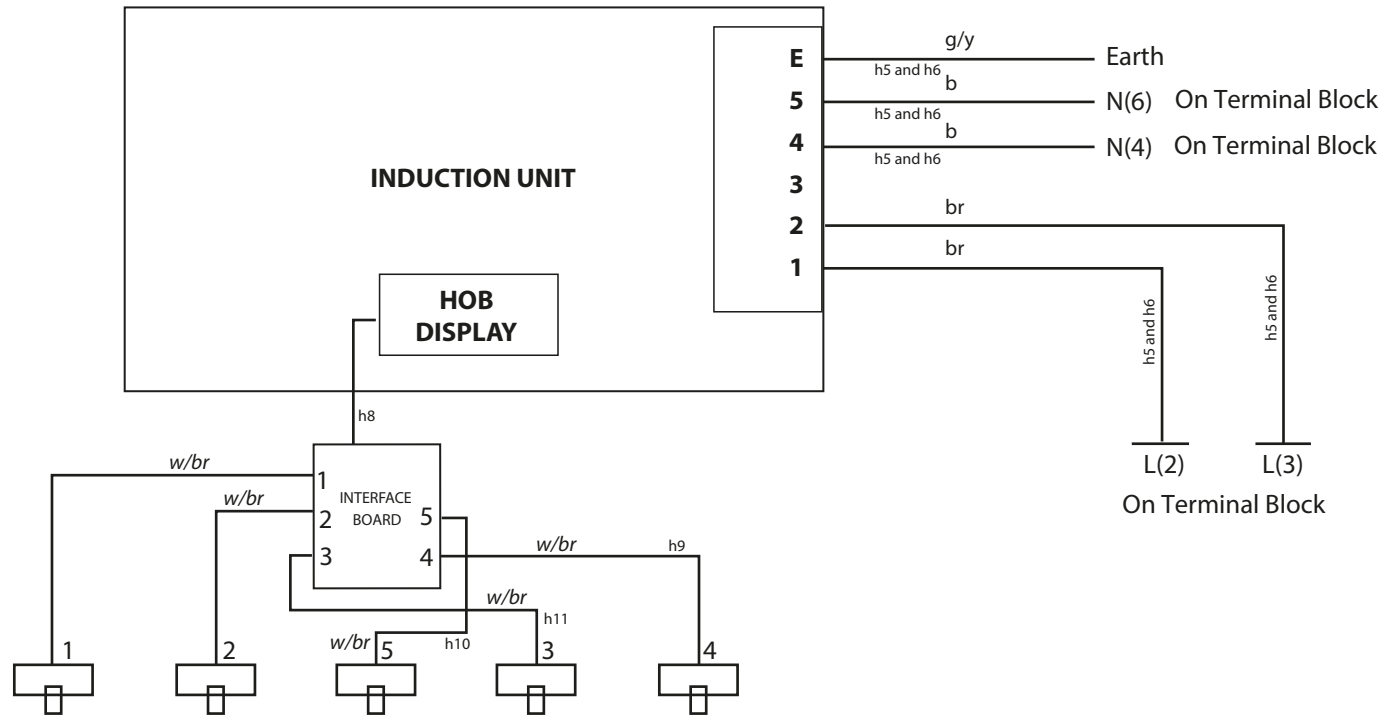




Code	Colour
b	Blue
br	Brown
bk	Black
or	Orange
r	Red
v	Violet
w	White
y	Yellow
g/y	Green/yellow
gr	Grey
r(f)	Red

Code	Description
A	Function controller
B	Temperature controller
C	Right-hand bottom element
D	Right-hand top element (outer)
E	Right-hand top element (inner)
F	Right-hand fan element
G	Right-hand fan
H	Cooling fan
I	Left-hand bottom element
J	Left-hand top element (outer)
K	Left-hand top element (inner)

Code	Description
L	Left-hand fan element
M	Left-hand fan
N	Thermostat protection
O	Oven neon
P	Oven light
Q	Oven light
R	Oven light switch
S	Thermostat front switch
T	Divider switch
V	Timer



LOCATION	DESCRIPTION
	MISCELLANEOUS
2002	INSTRUCTION PACK