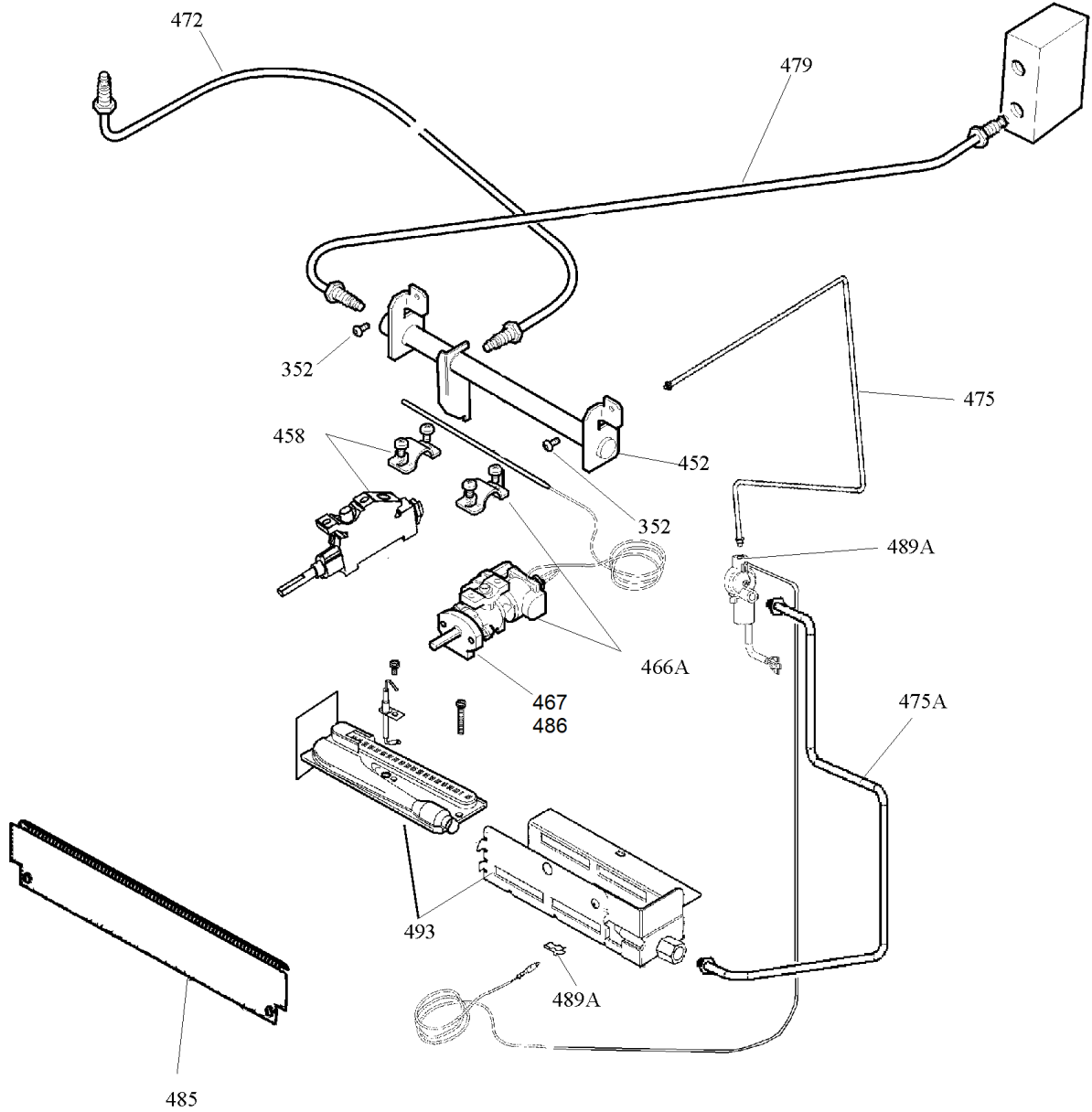
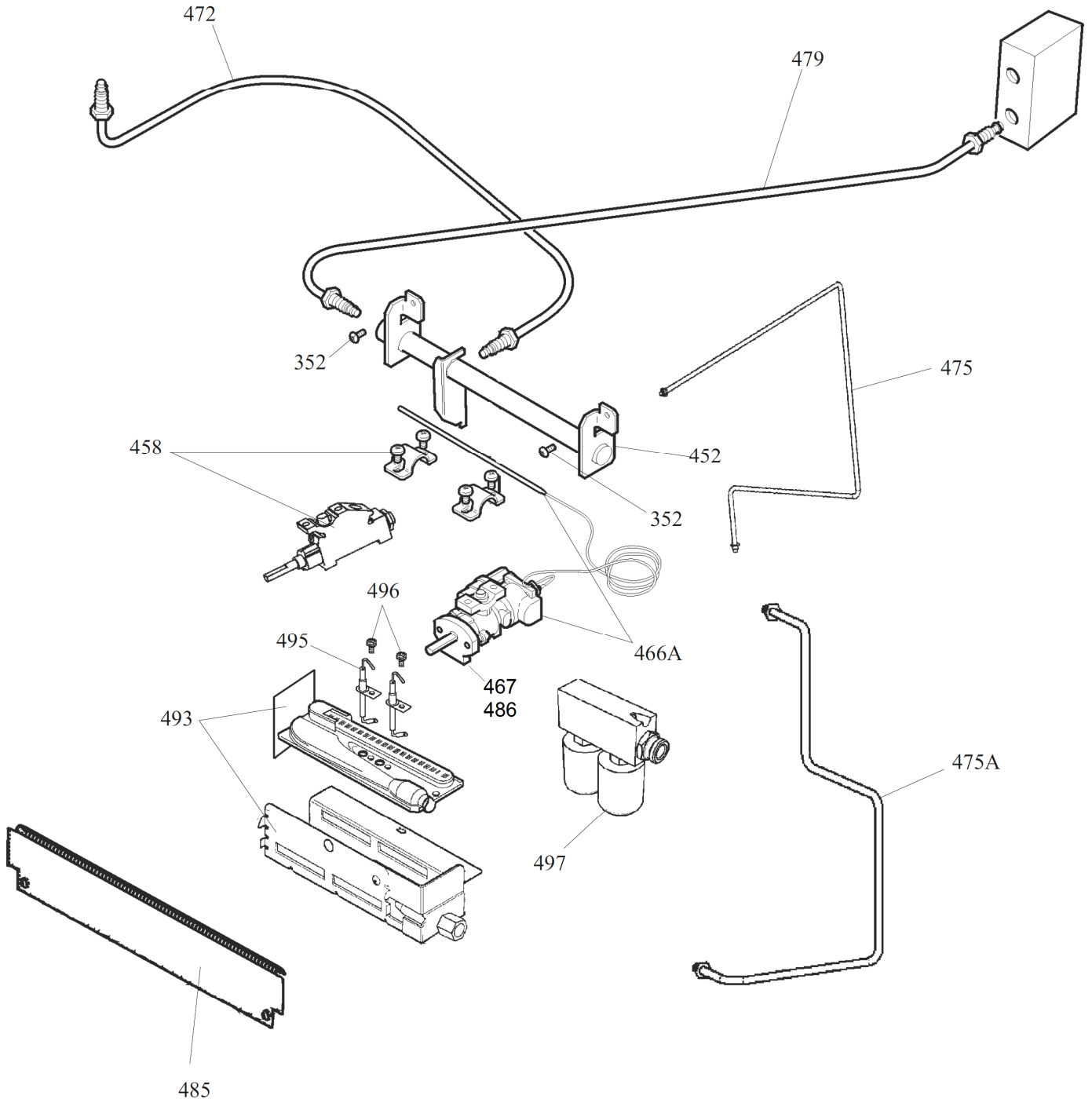


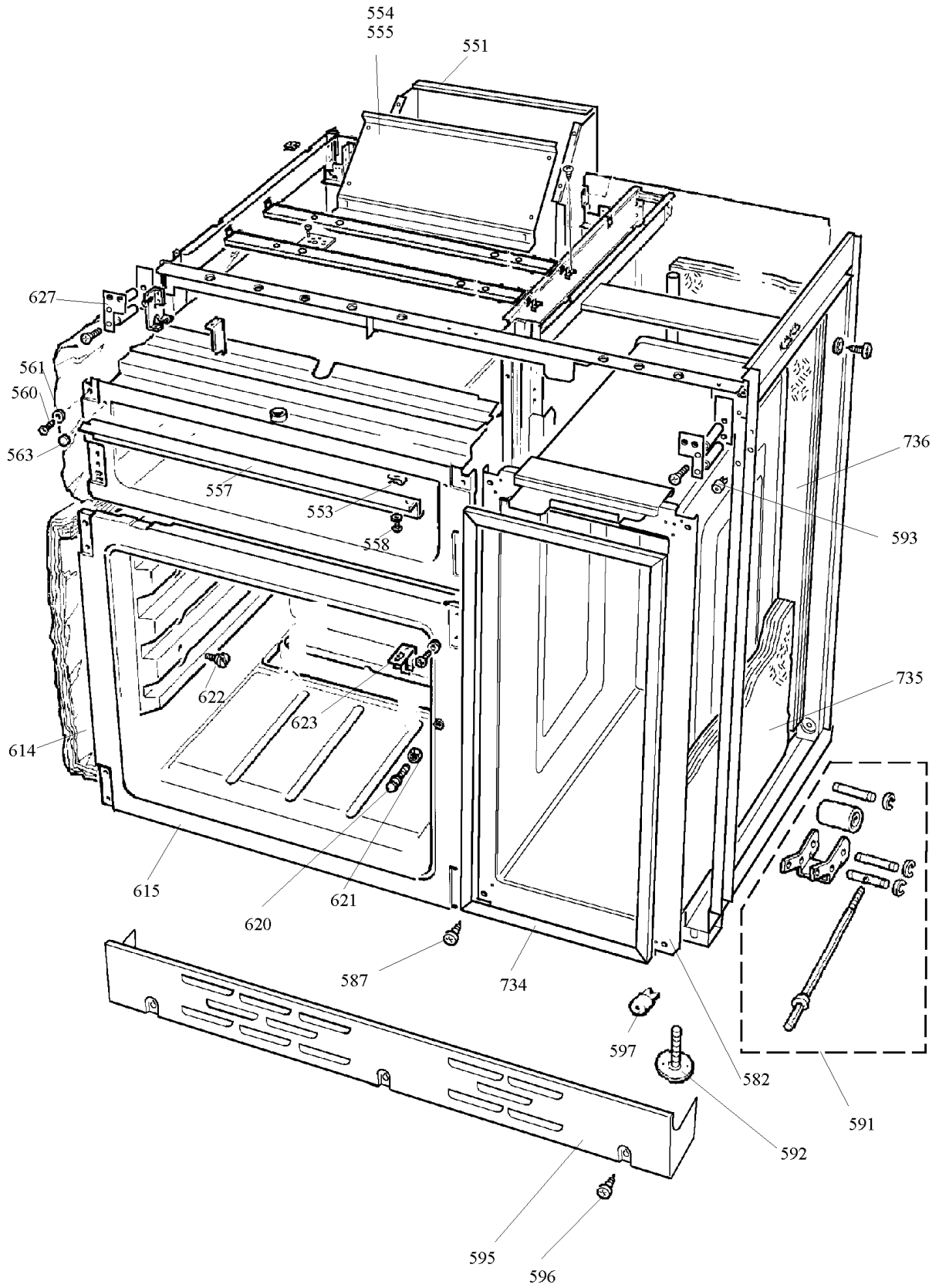
UP TO SERIAL NUMBER 185 999

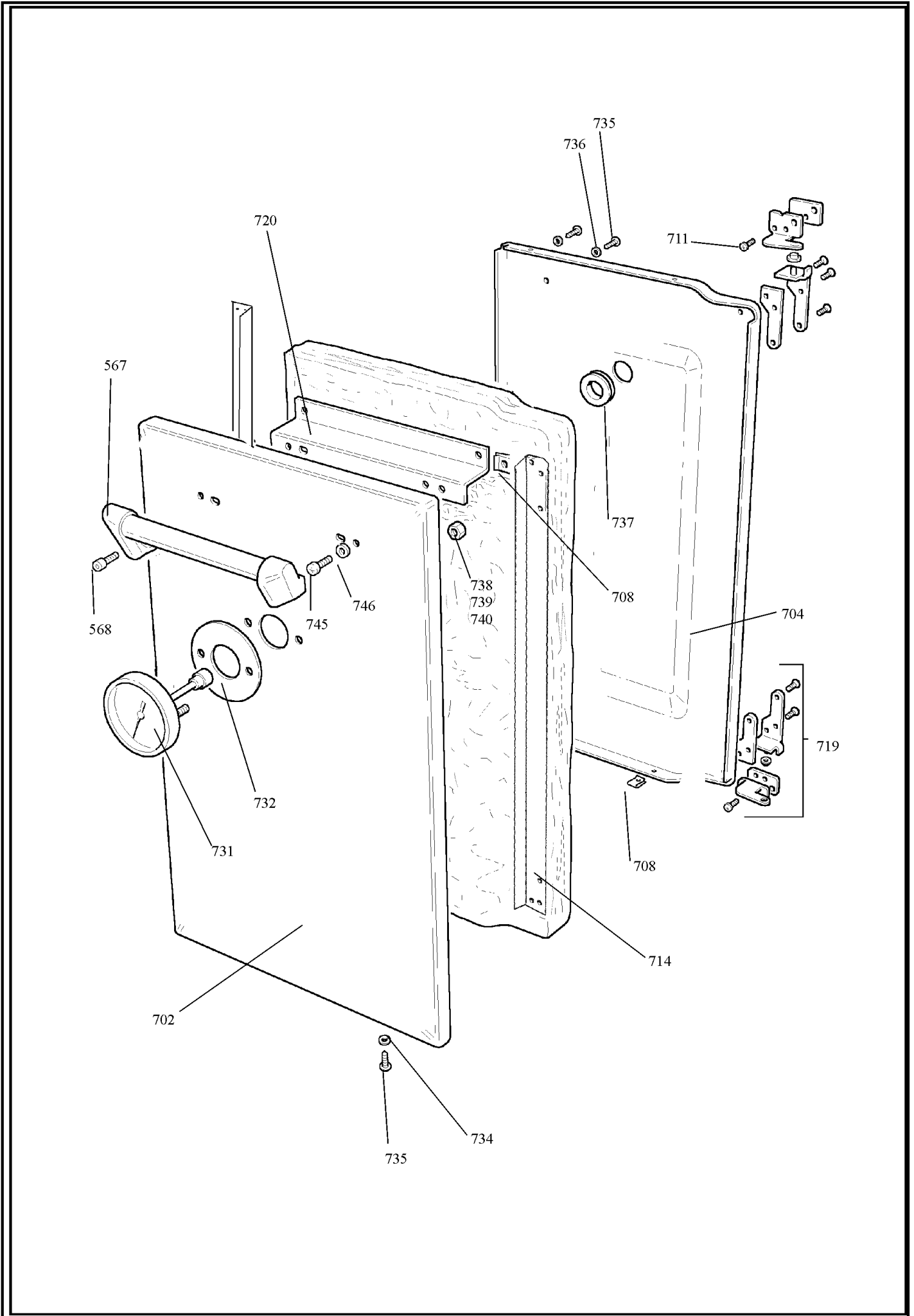


## FROM SERIAL NUMBER 186000

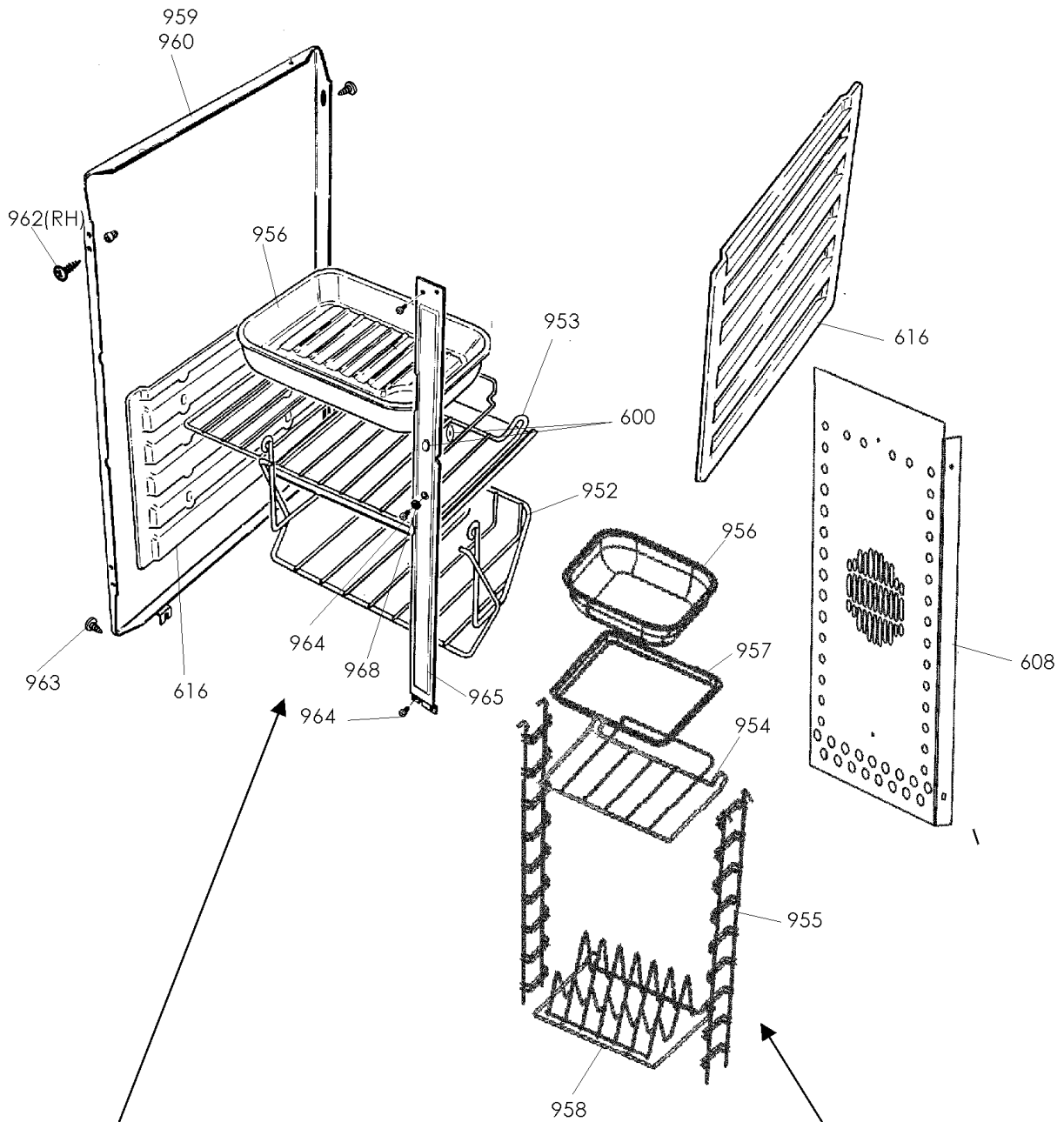
### R H GAS RAIL









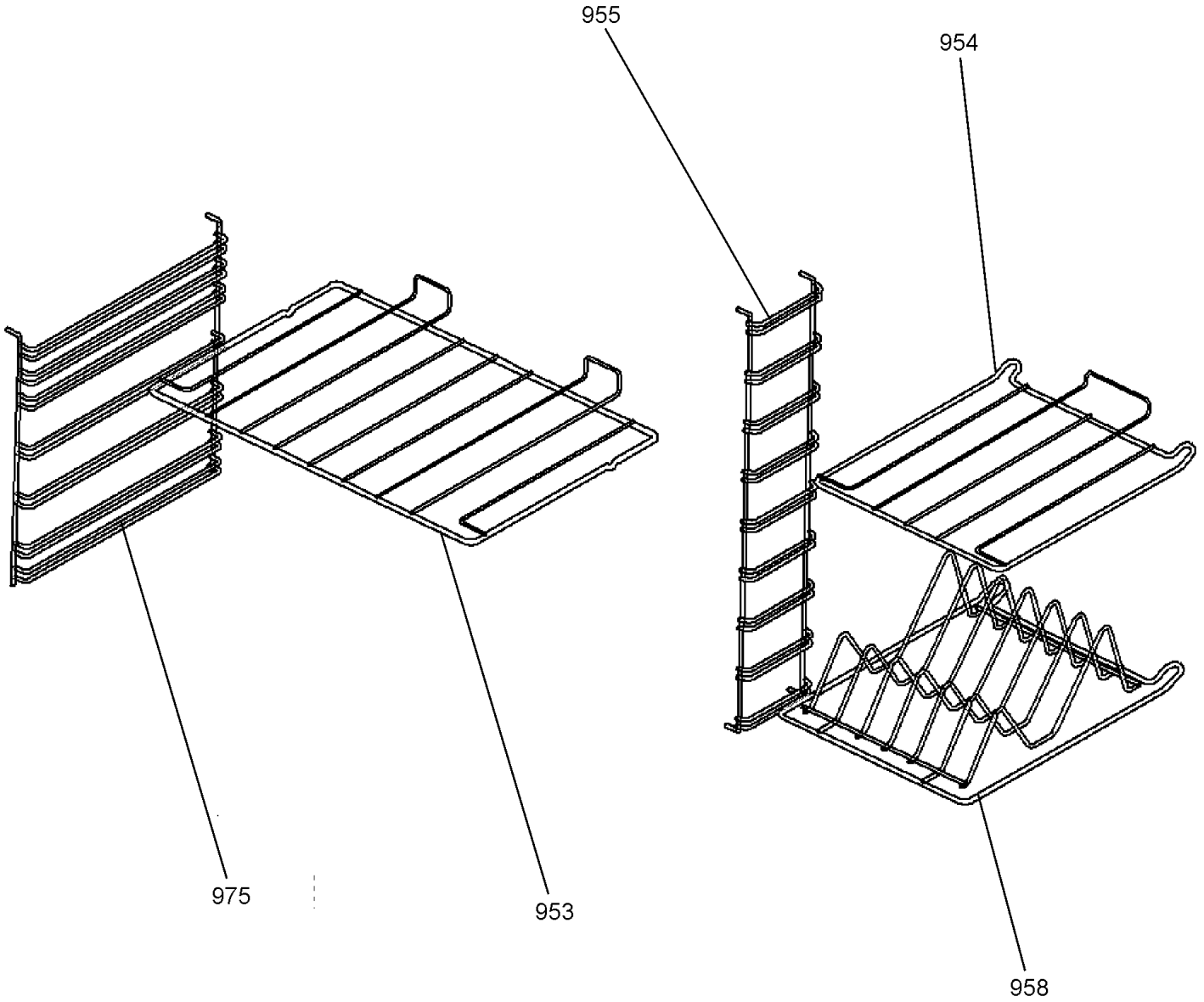


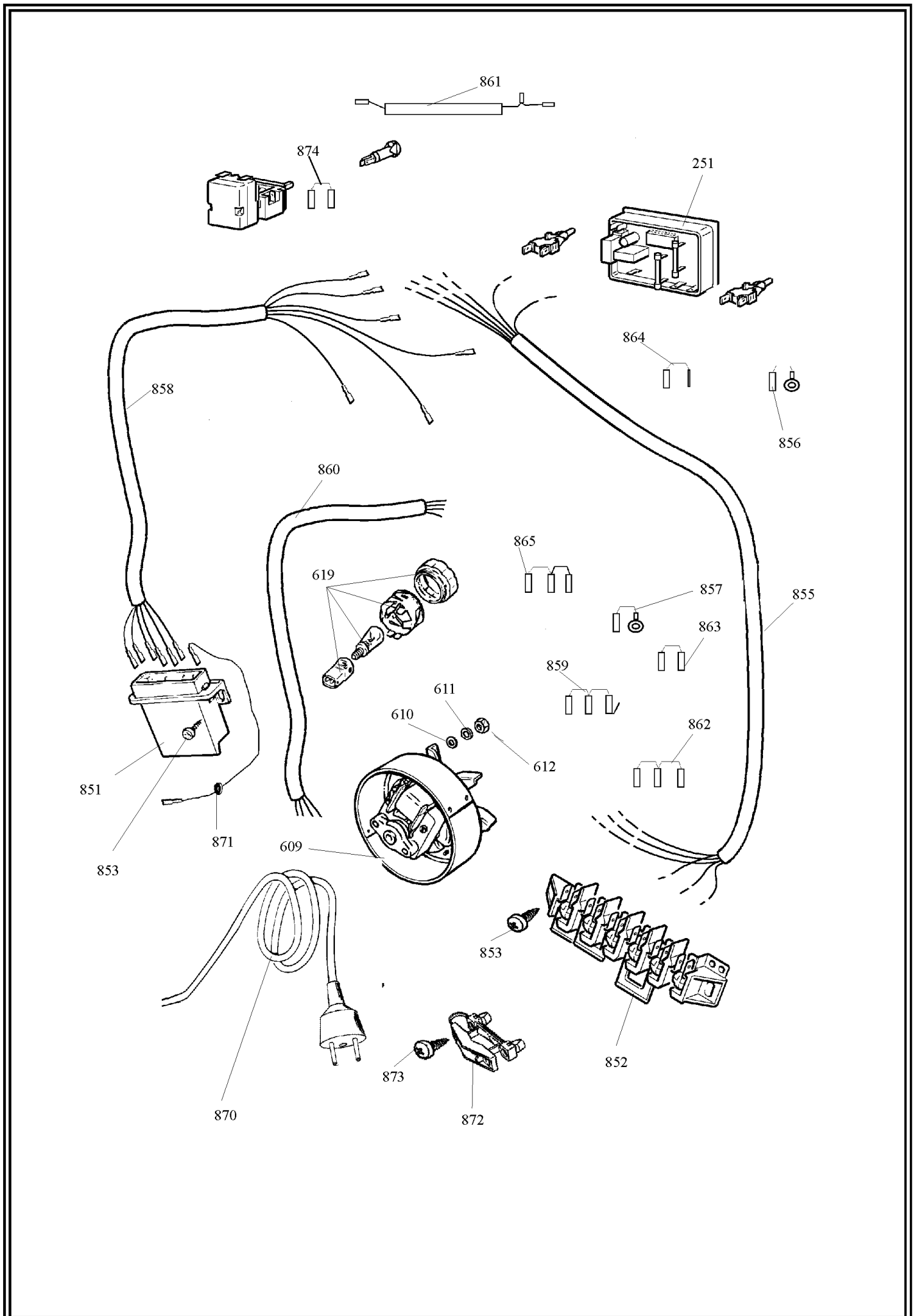
UP TO SERIAL NUMBER 179999 FOR RH TALL OVEN FURNITURE  
UP TO SERIAL NUMBER 181999 FOR LH OVEN FURNITURE

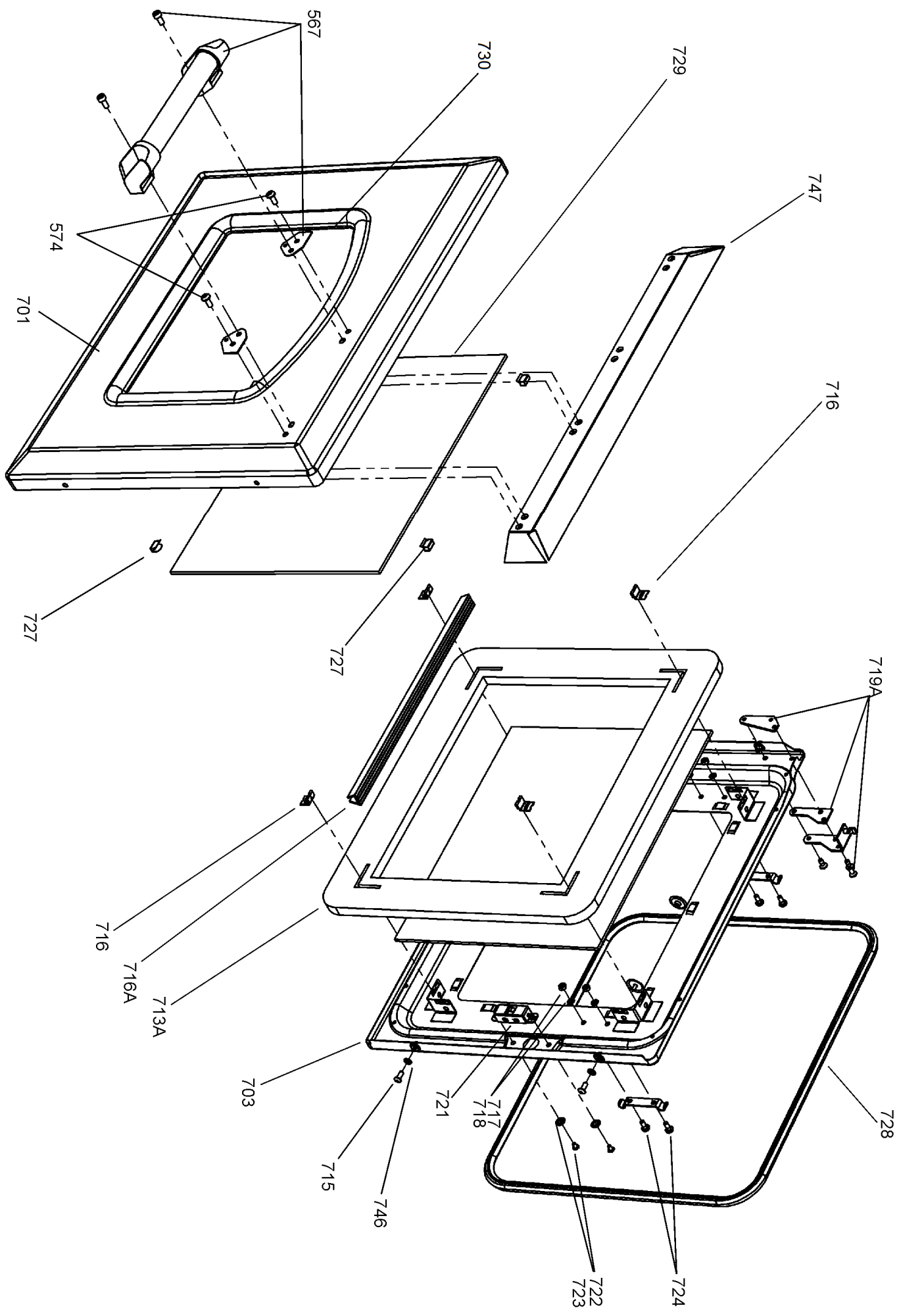
**OVEN FURNITURE**

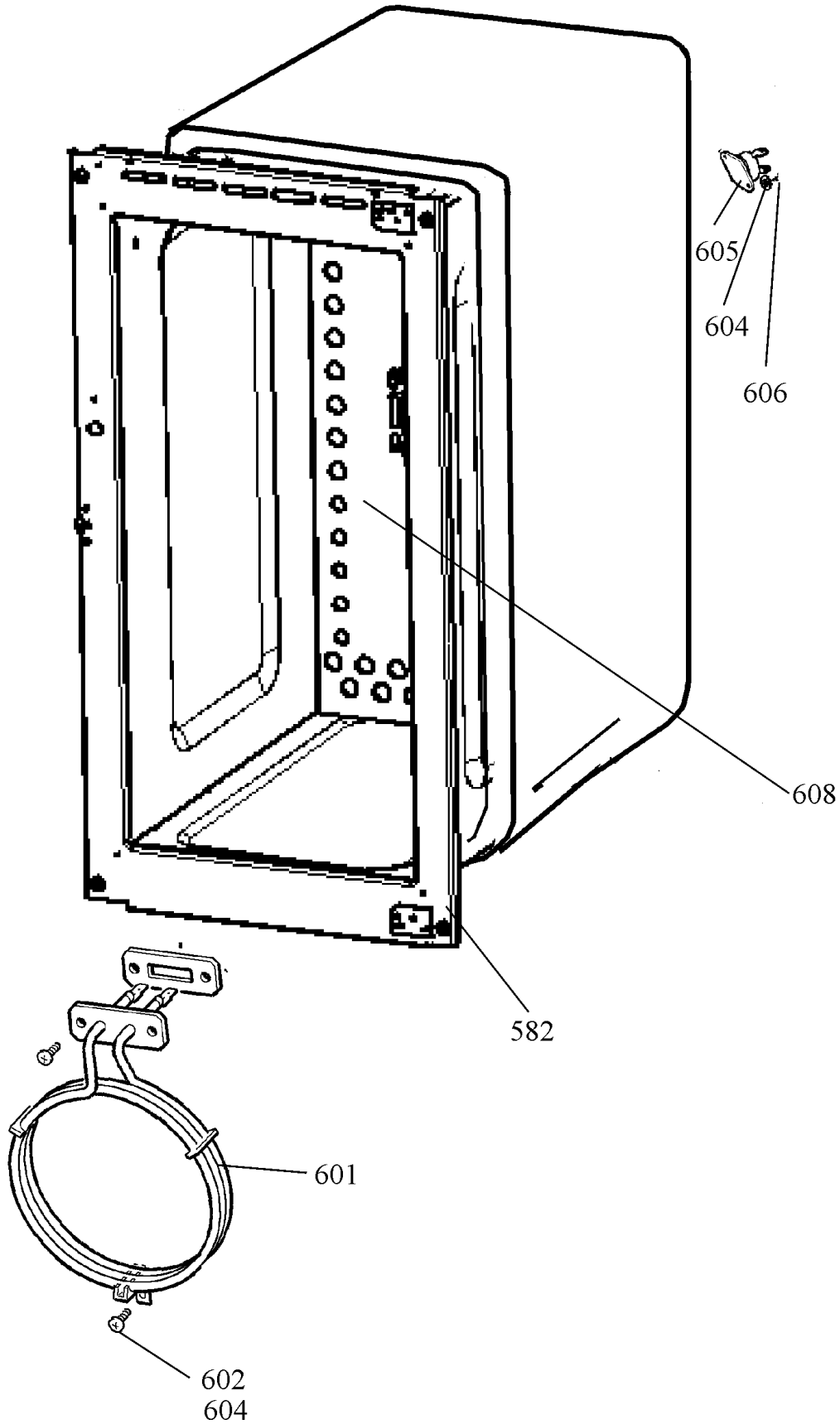
FROM SERIAL NUMBER 180000 FOR RH TALL OVEN

FROM SERIAL NUMBER 182000 FOR LH OVEN



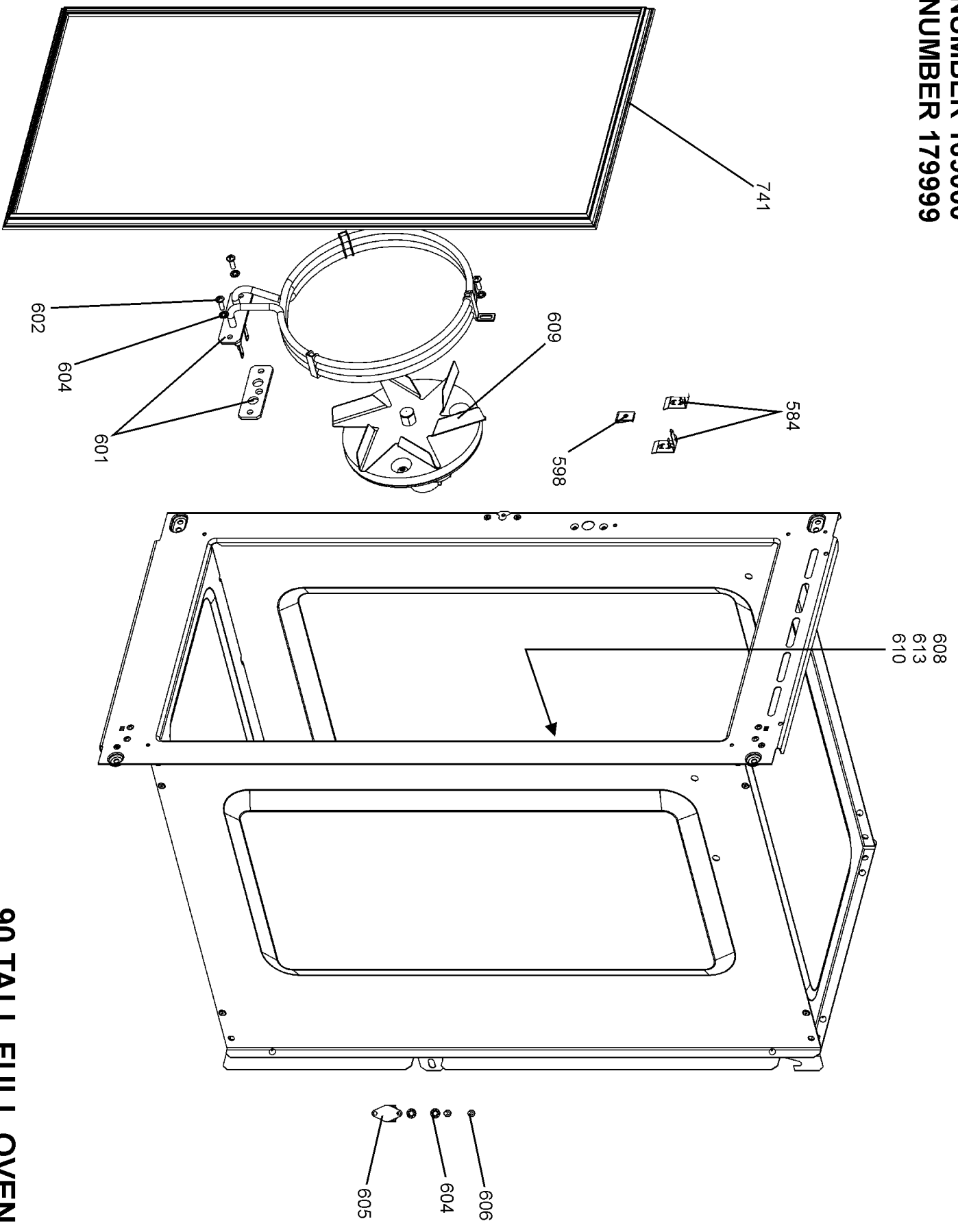






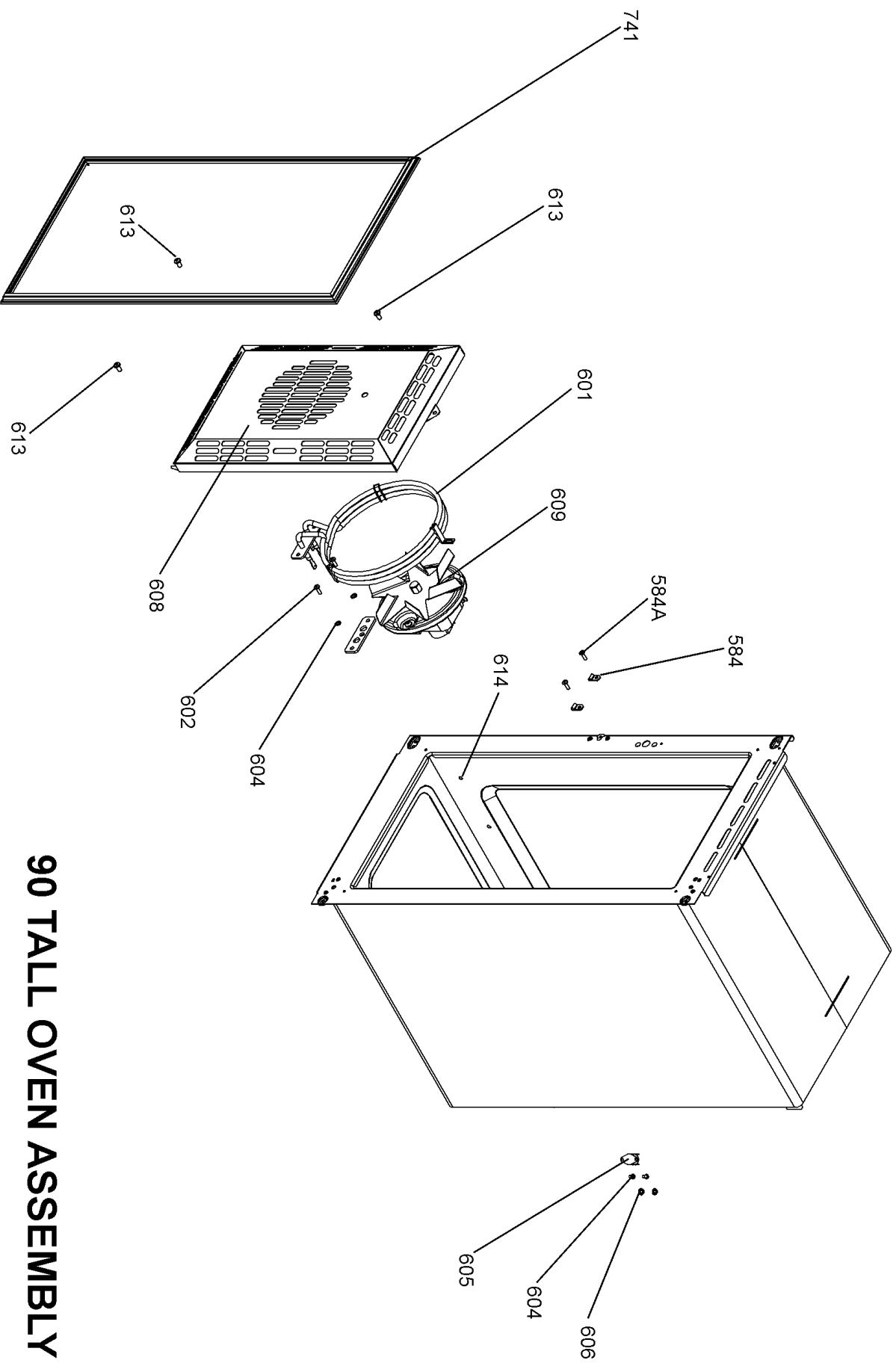
**TALL OVEN ASSEMBLY  
UP TO SERIAL NUMBER 168999**

FROM SERIAL NUMBER 169000  
UP TO SERIAL NUMBER 179999



90 TALL FULL OVEN

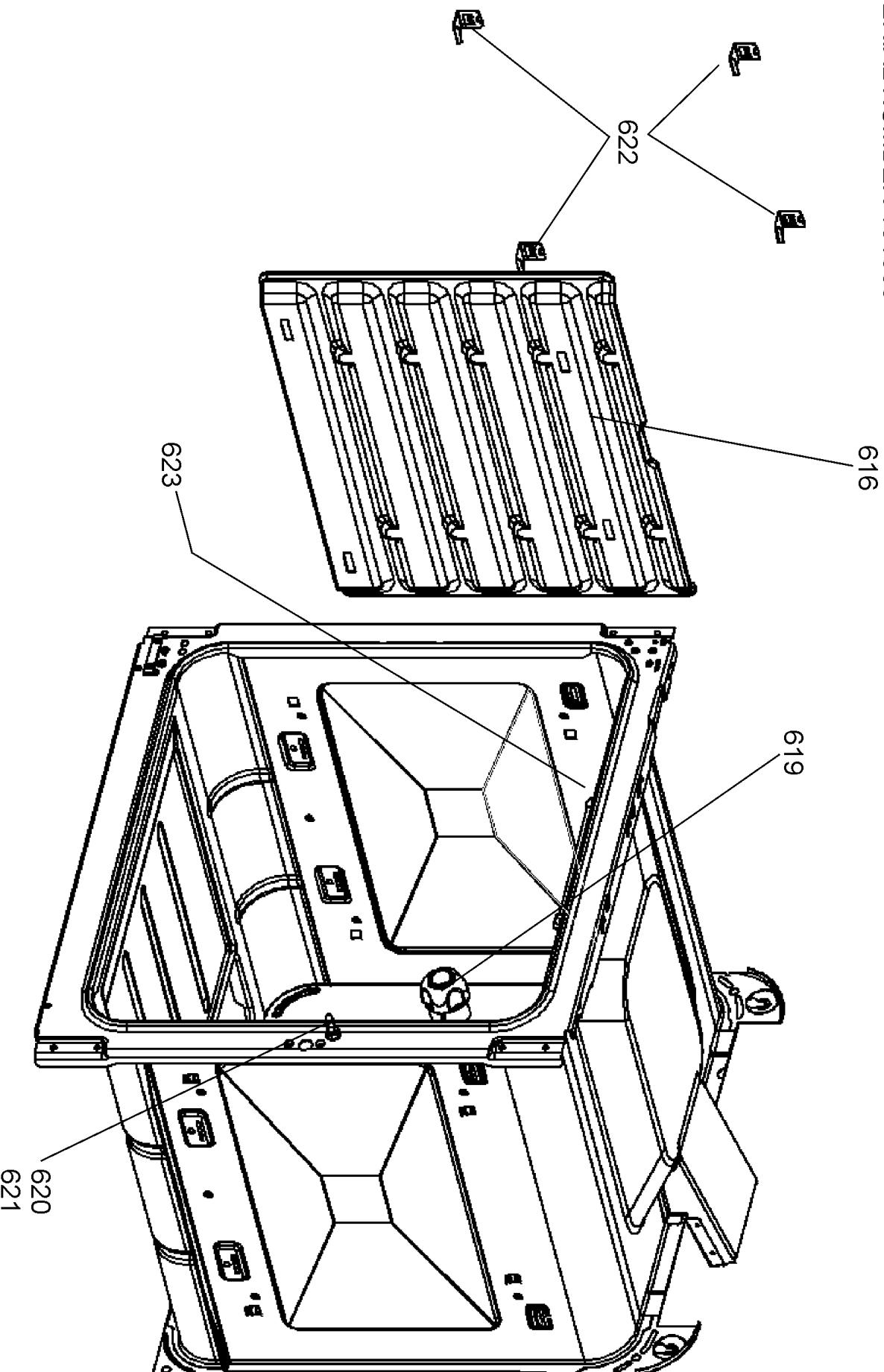
FROM SERIAL NUMBER 180000



**90 TALL OVEN ASSEMBLY**

**LH OVEN GAS + LIGHT**

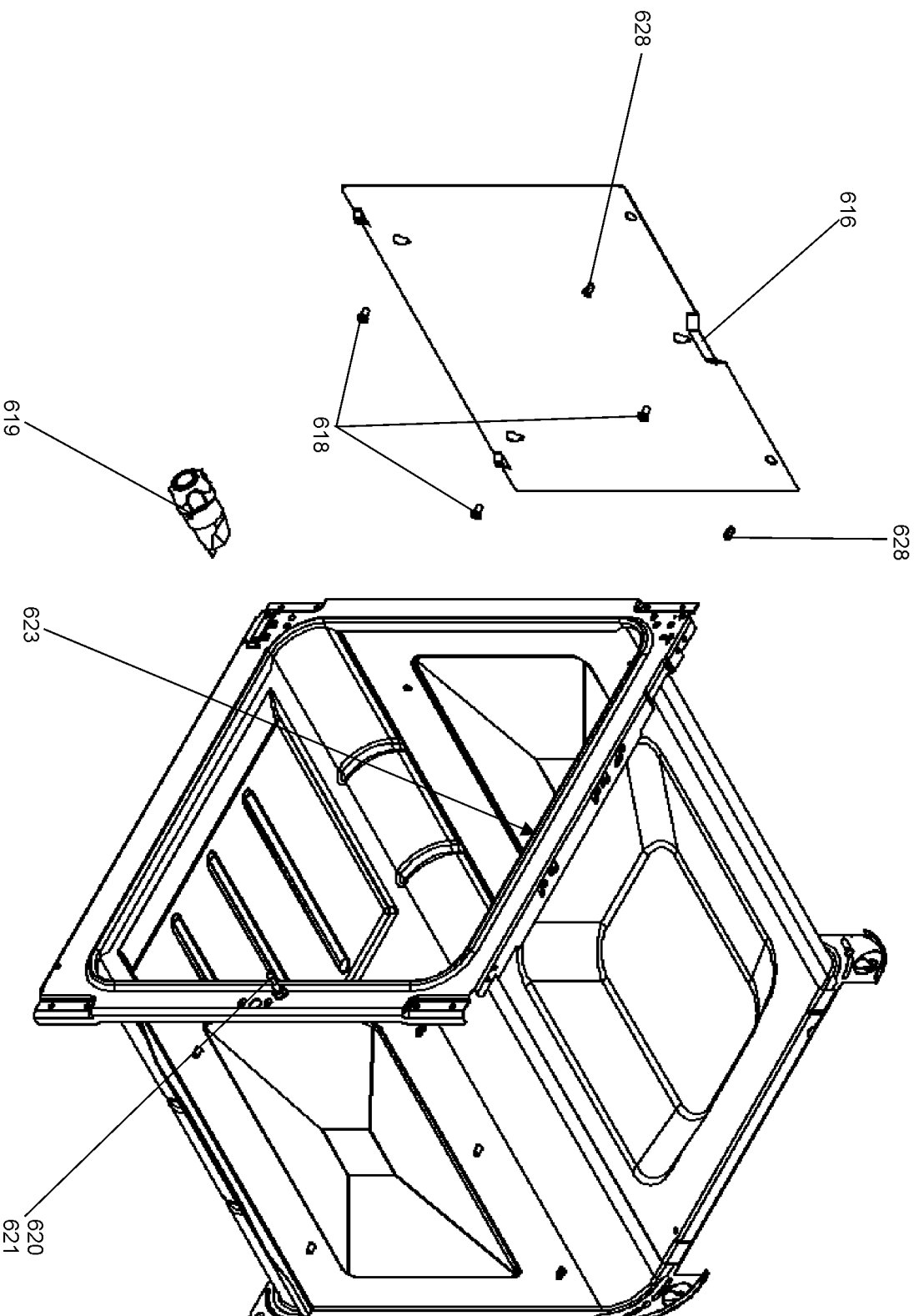
FROM SERIAL NUMBER 169000  
UP TO SERIAL NUMBER 181999





**LH 'FLAT' OVEN  
(GAS+LIGHT)**

FROM SERIAL NUMBER 182000



**FALCON CLASSIC 90 NG**  
FROM SERIAL NUMBER 167000

DATE 15.01.16 ISSUE STATUS 01

**DSL0363 P15**

