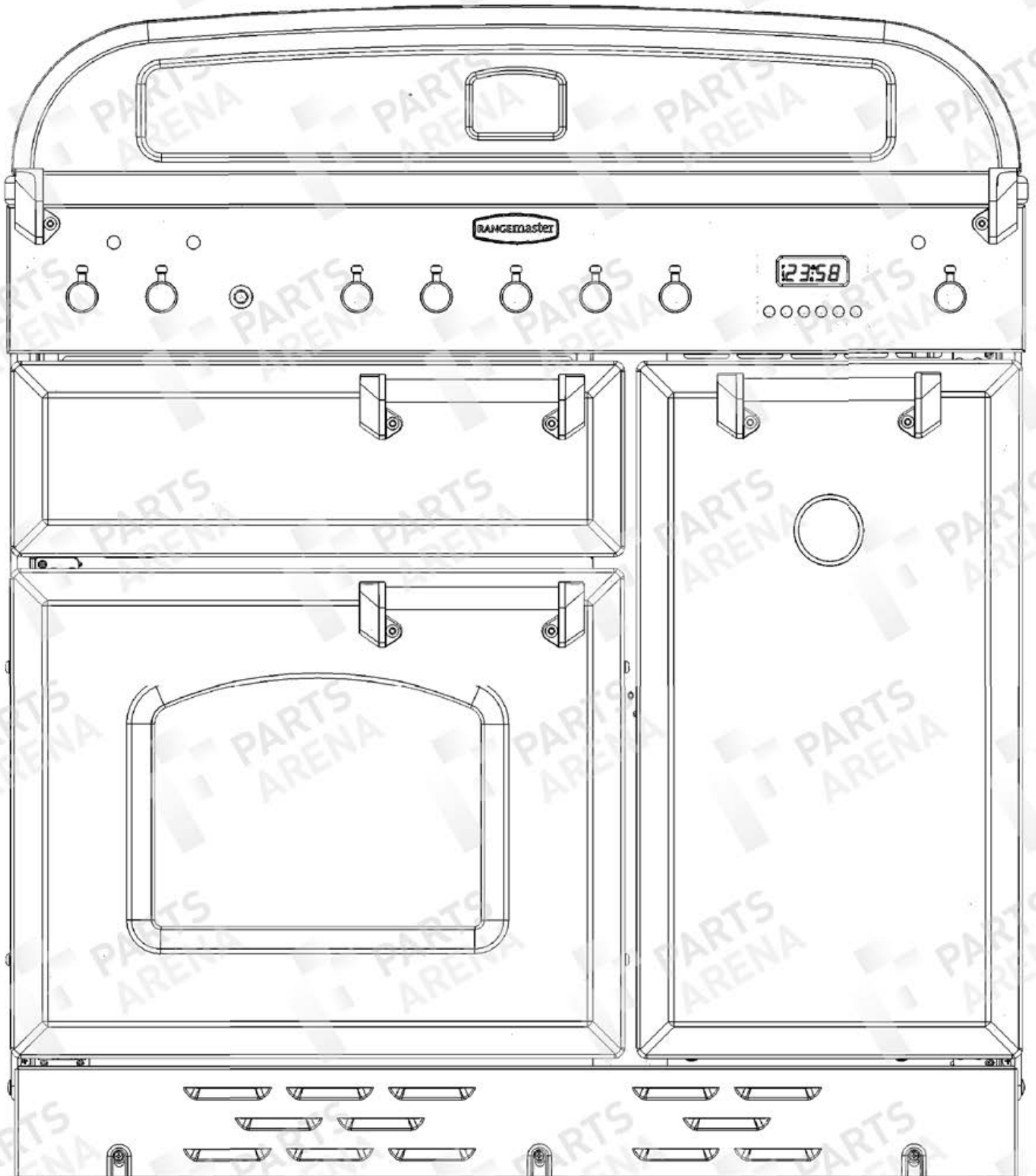


**FALCON / RANGEMASTER
CLASSIC 90 INDUCTION**

DATE 18.10.17

DSL0709 P00
ISSUE:01

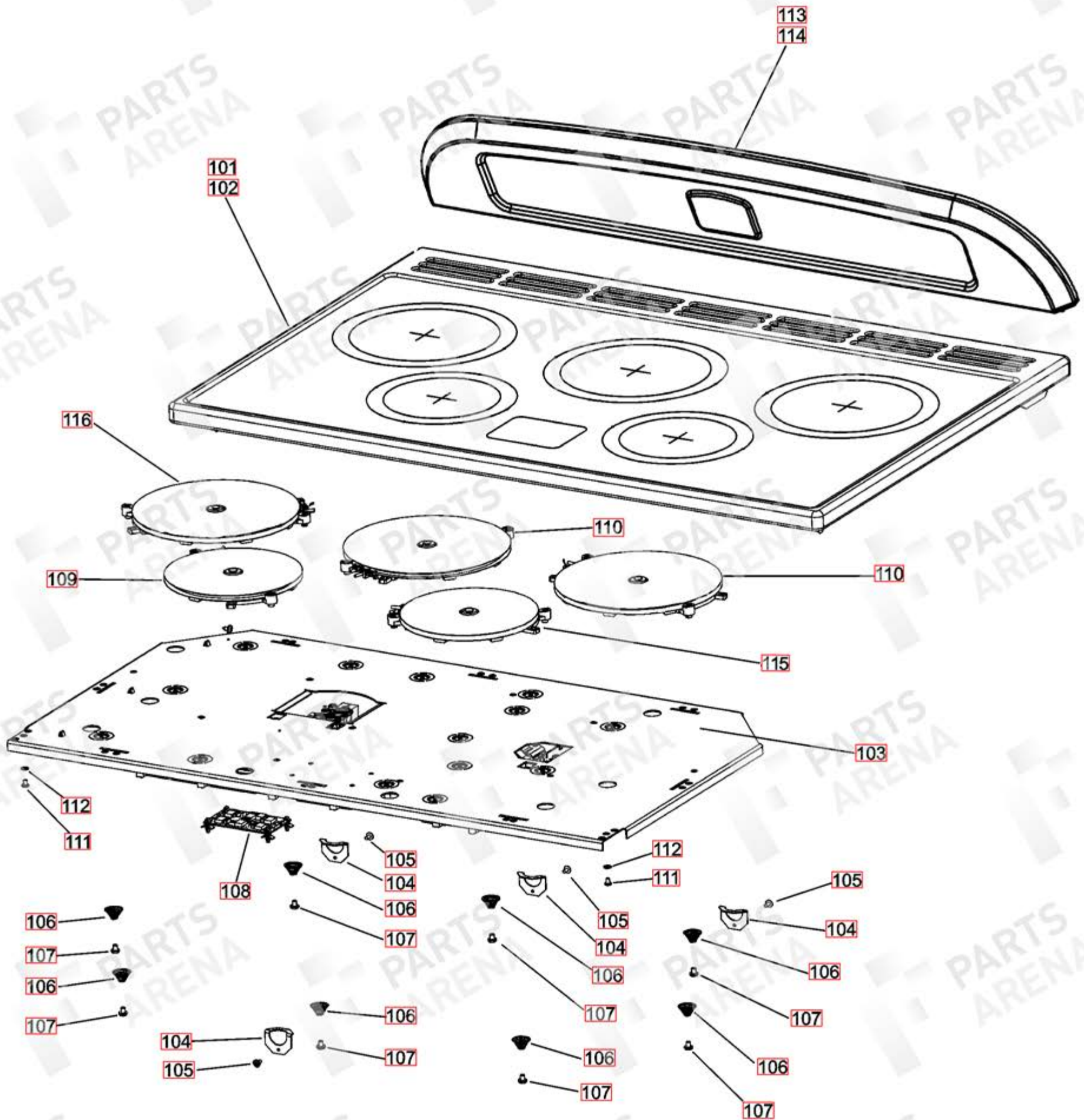


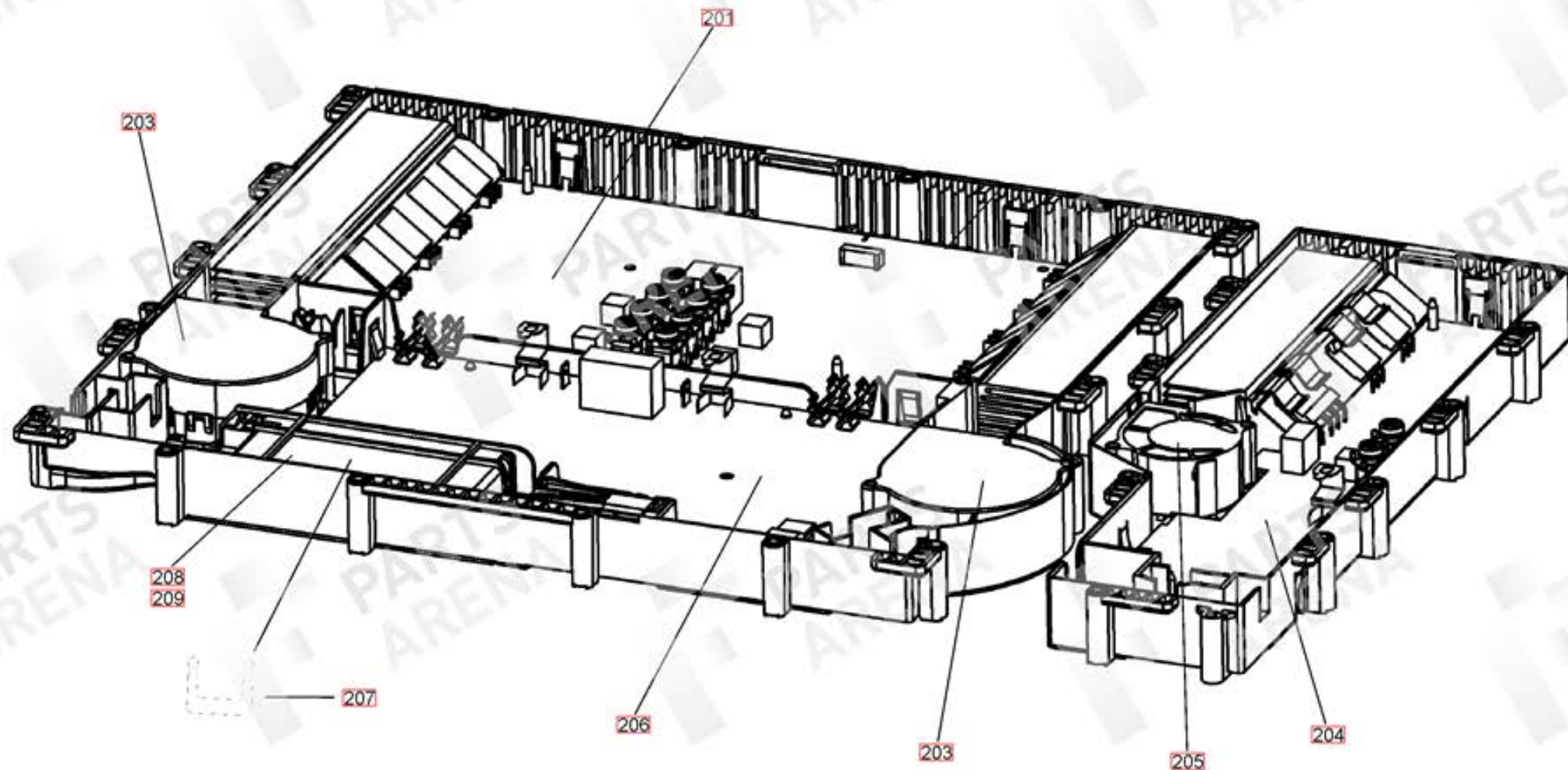
FALCON / RANGEMASTER CLASSIC 90 INDUCTION

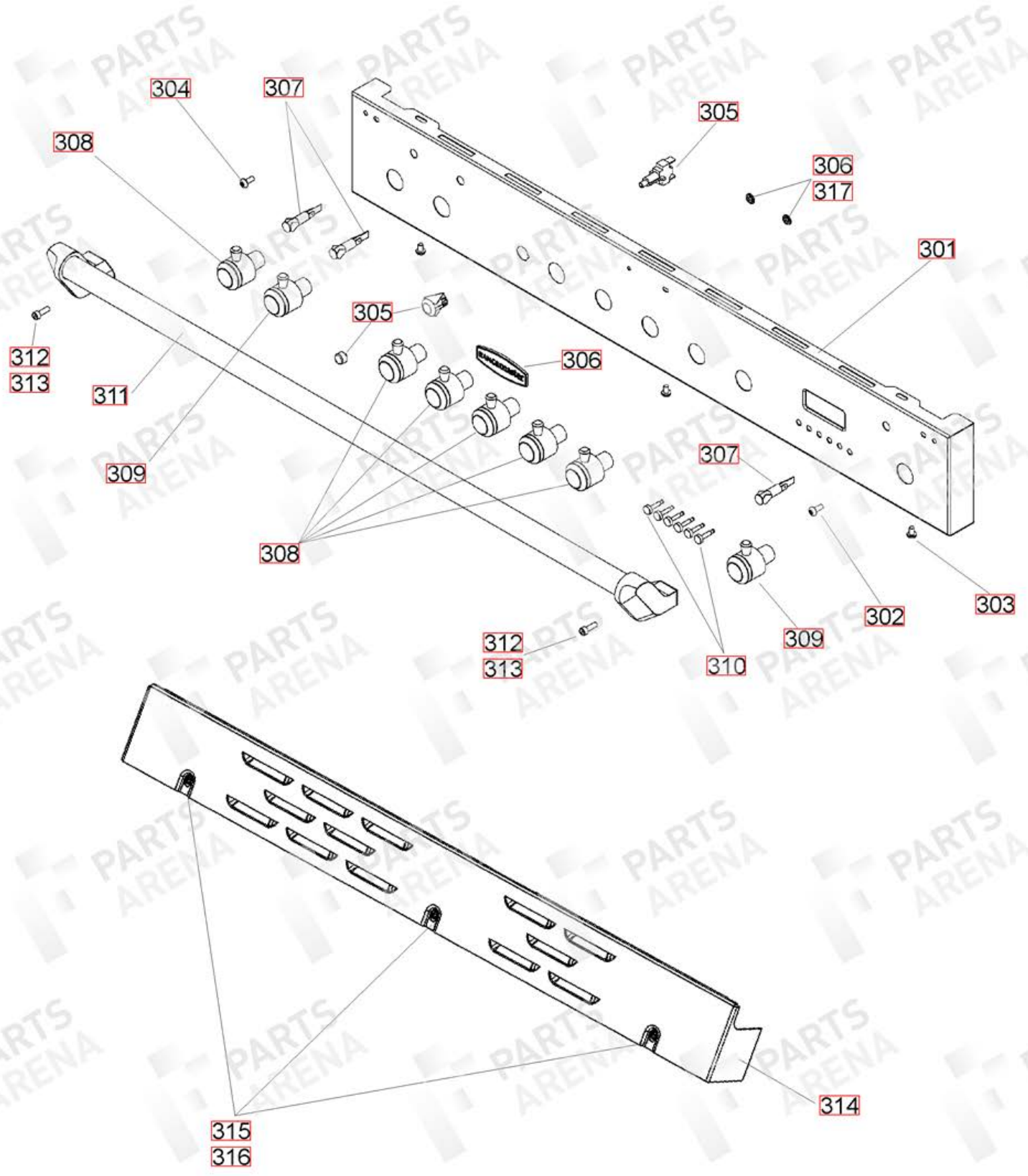
DATE 18.10.17

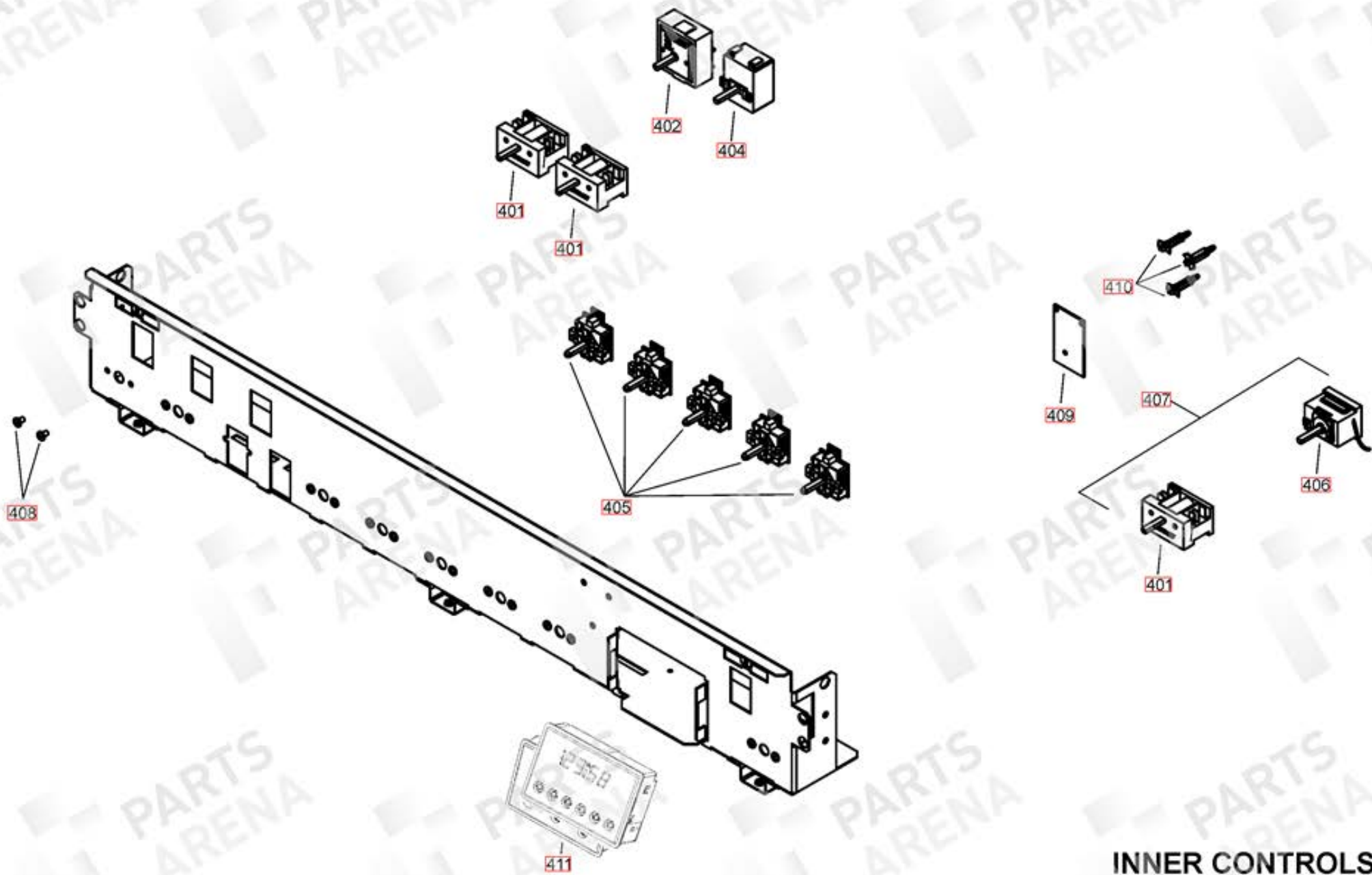
DSL0709 P01

ISSUE:01





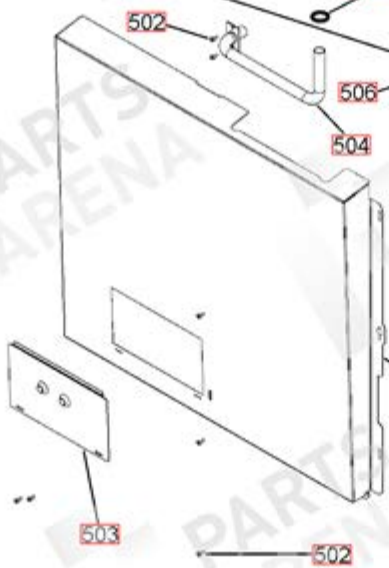
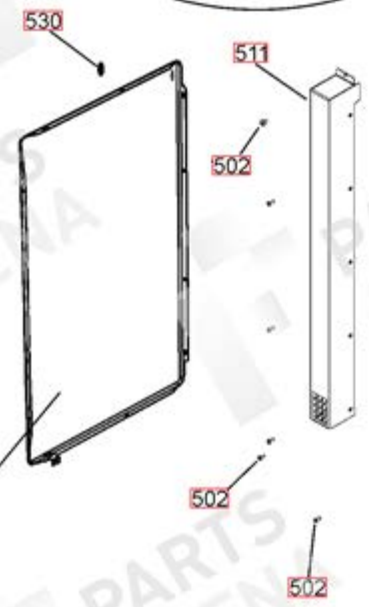
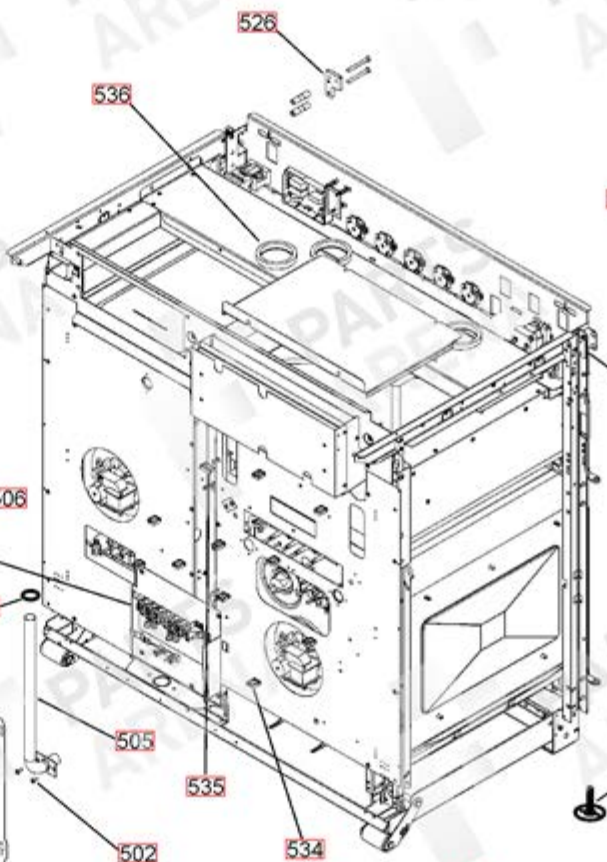
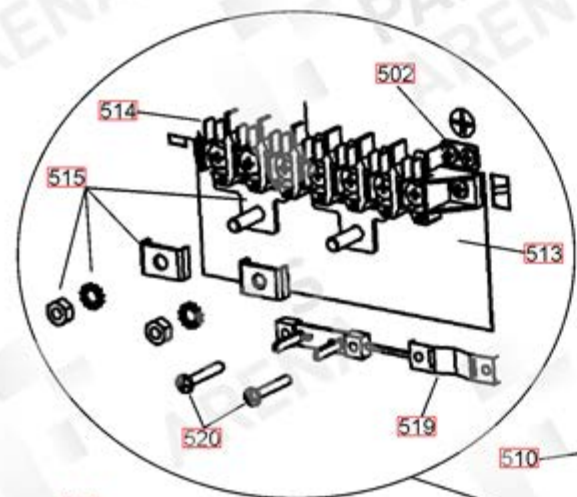




**FALCON / RANGEMASTER
CLASSIC 90 INDUCTION**

DATE 18.10.17

DSL0709 P05
ISSUE 01

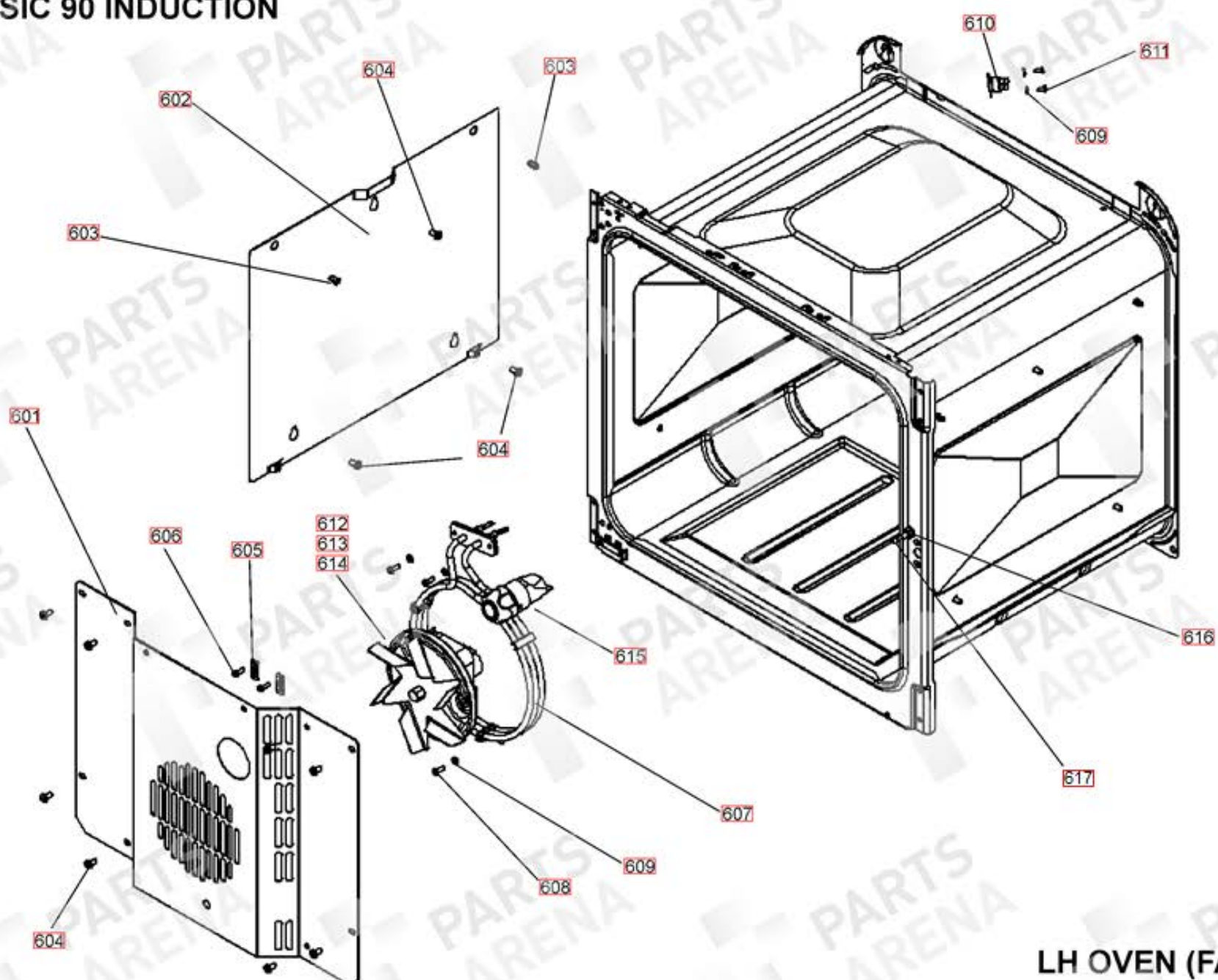


CHASSIS

FALCON / RANGEMASTER
CLASSIC 90 INDUCTION

DATE 18.10.17

DSL0709 P06
ISSUE 01

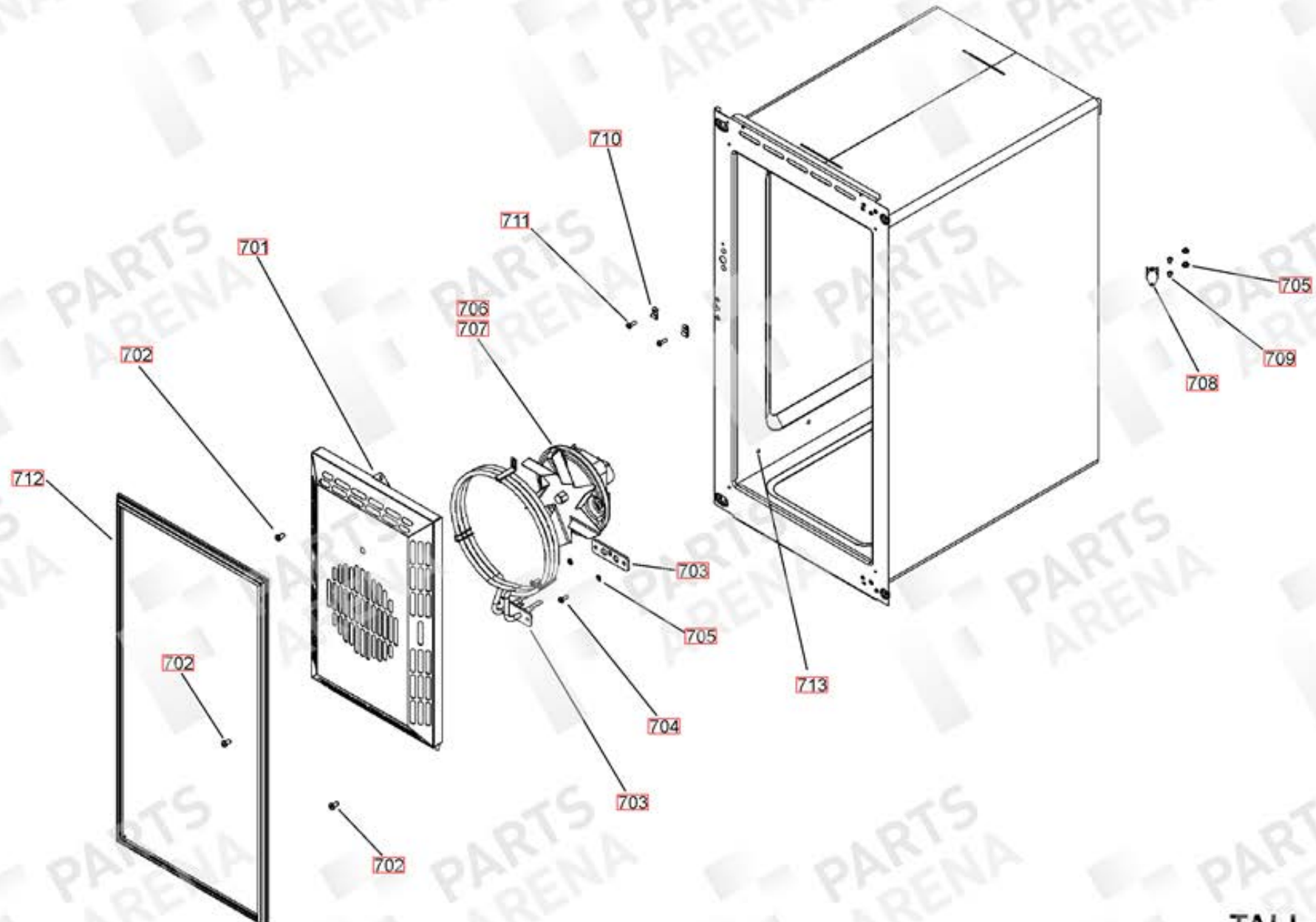


LH OVEN (FAN+LIGHT)

FALCON / RANGEMASTER
CLASSIC 90 INDUCTION

DATE 18.10.17

DSL0709 P07
ISSUE 01

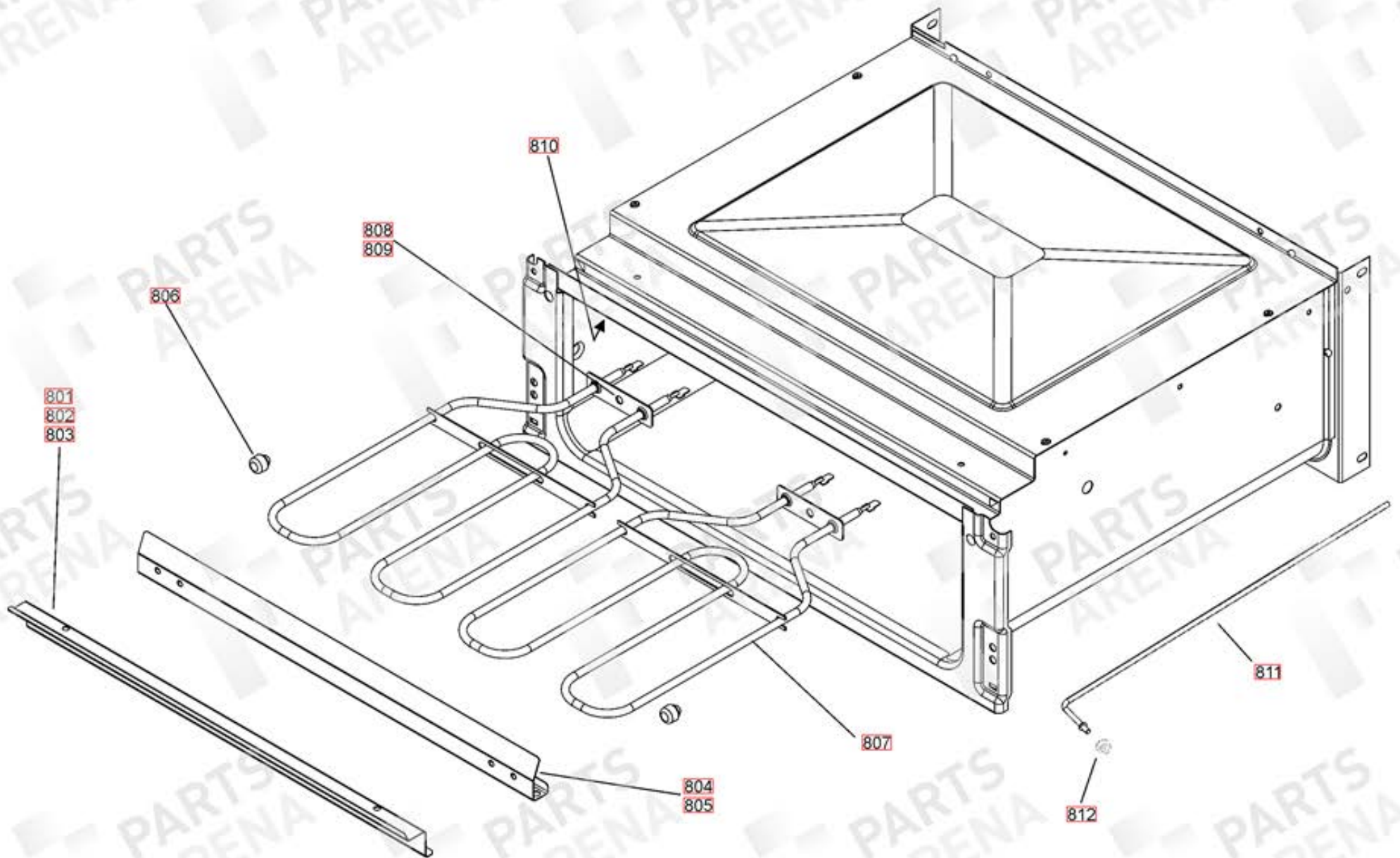


TALL OVEN

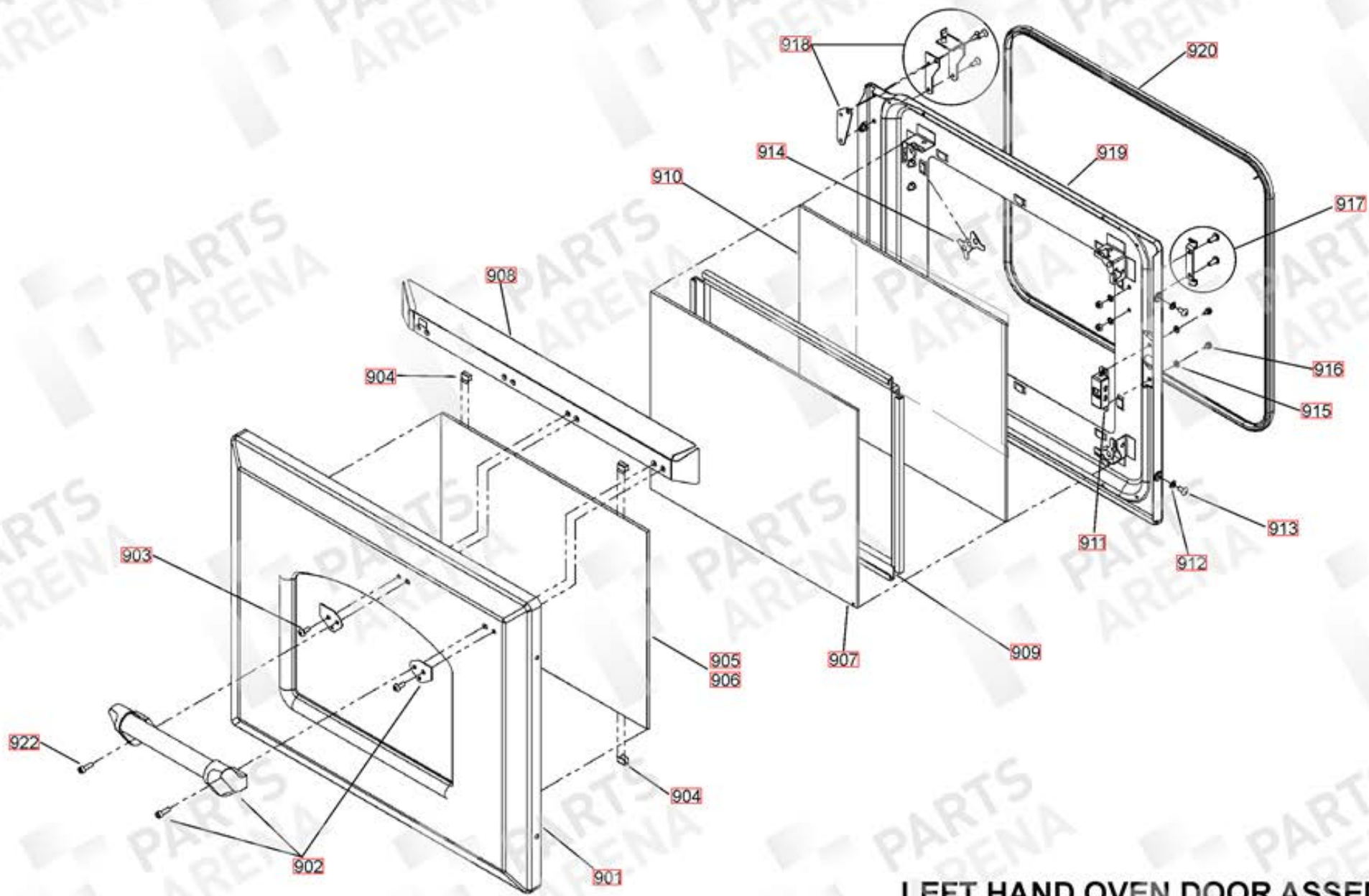
FALCON / RANGEMASTER
CLASSIC 90 INDUCTION

DATE 18.10.17

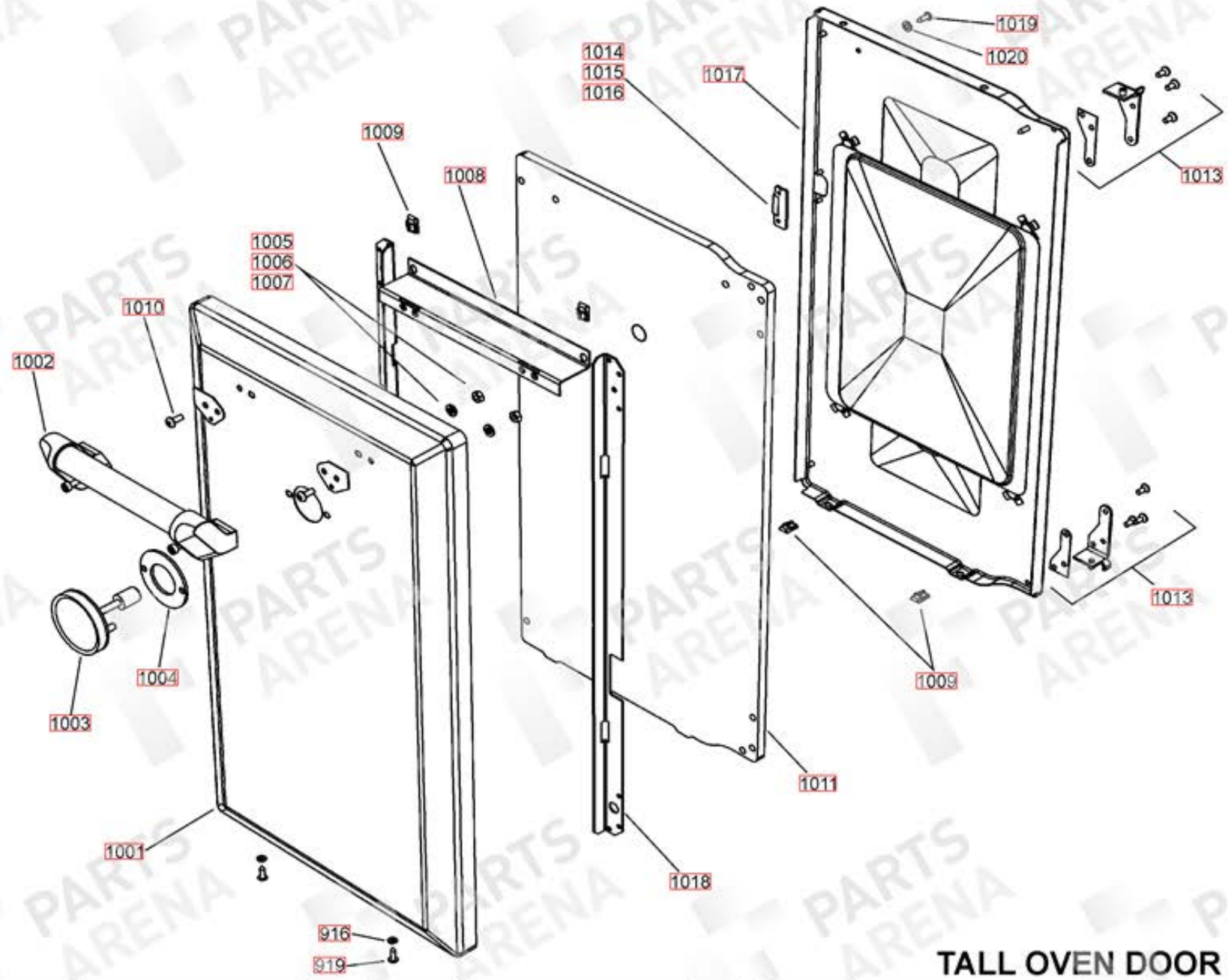
DSL0709 P08
ISSUE 01



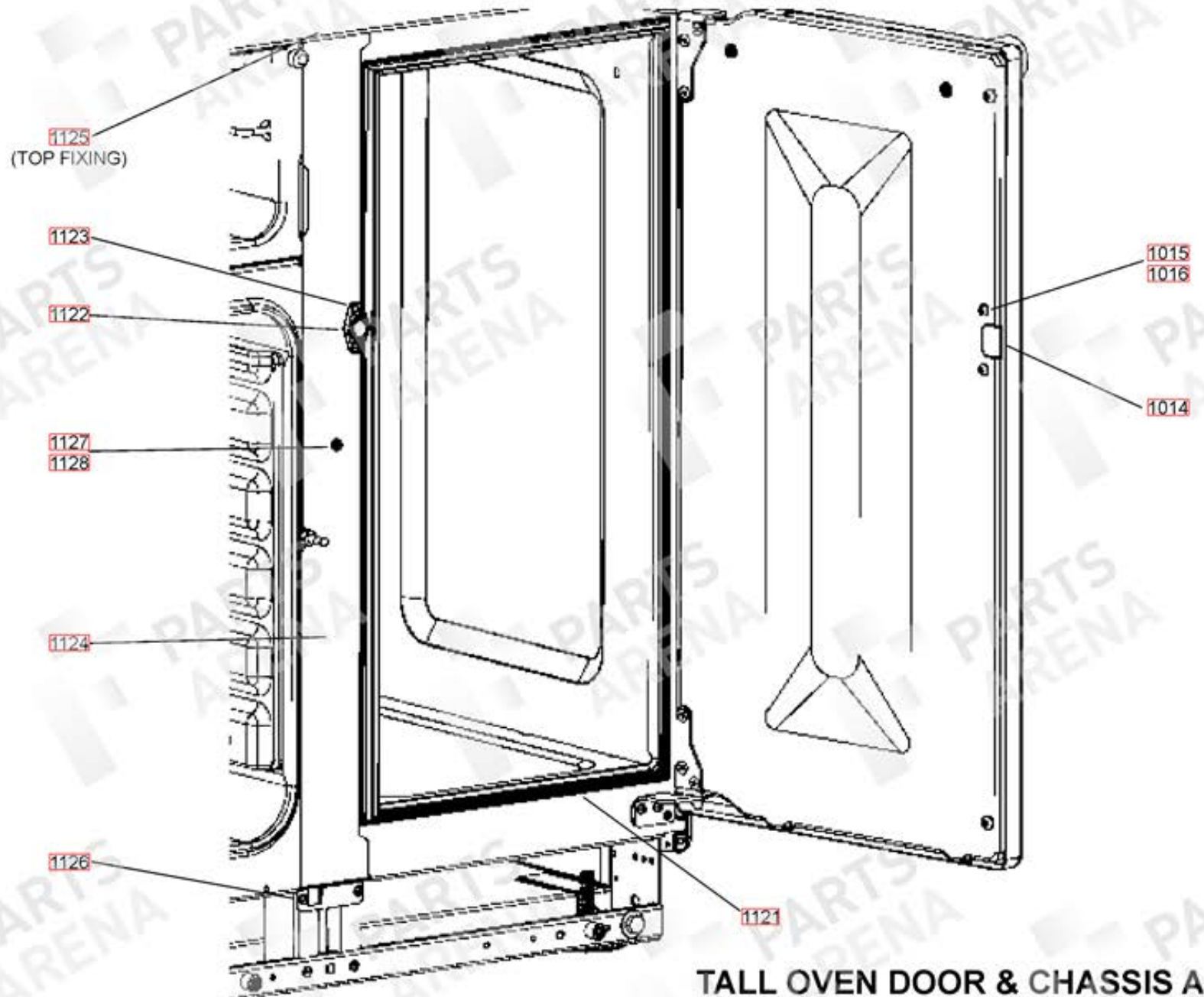
GRILL CHAMBER



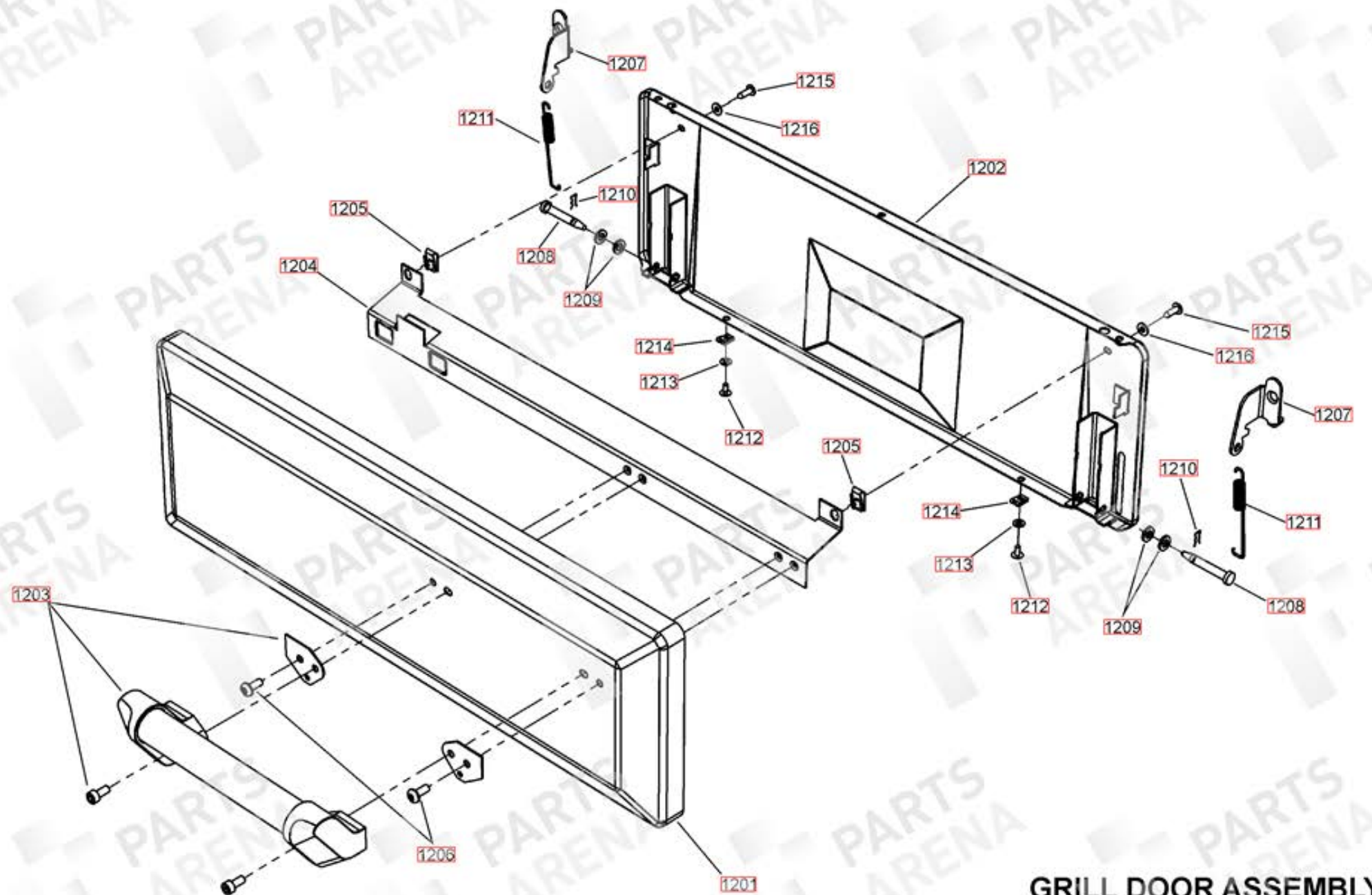
LEFT HAND OVEN DOOR ASSEMBLY



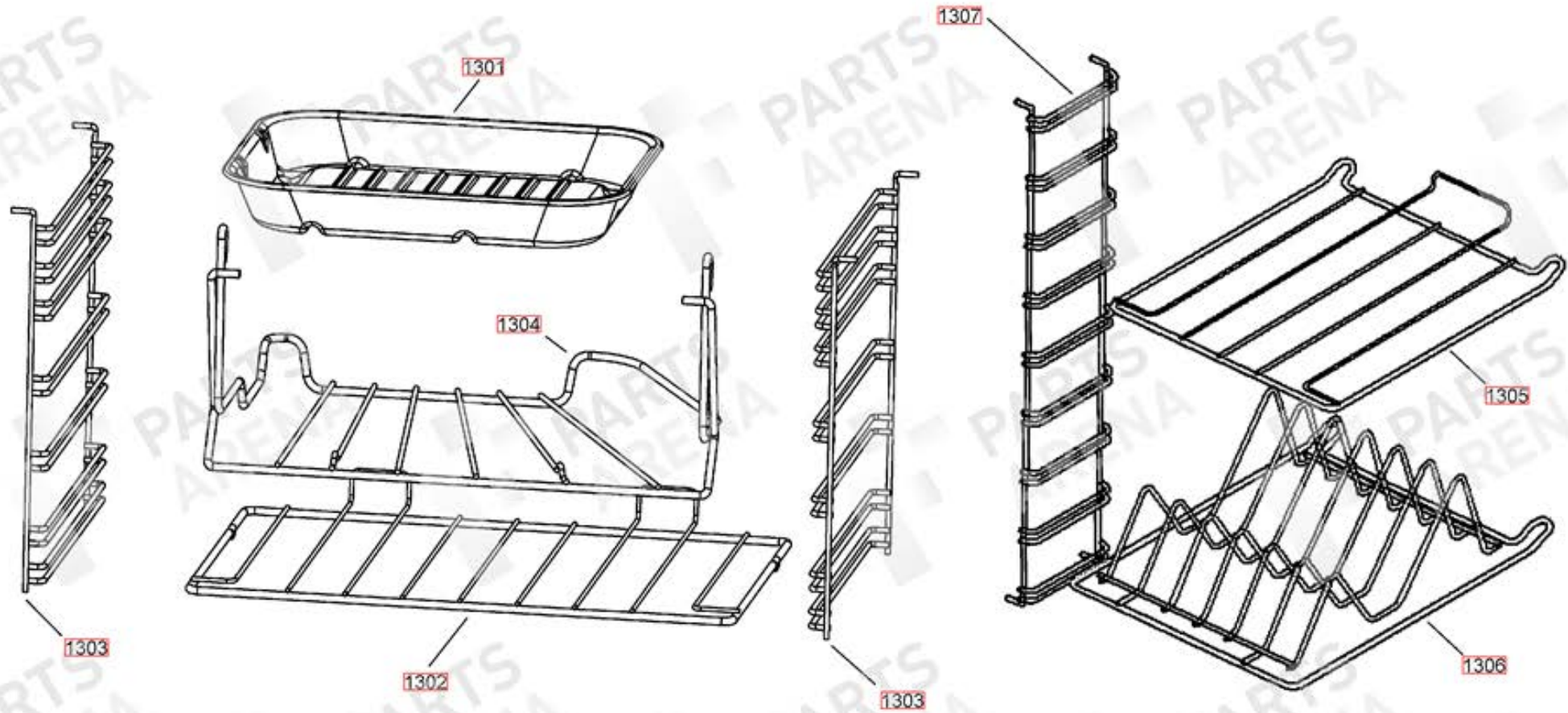
TALL OVEN DOOR ASSEMBLY

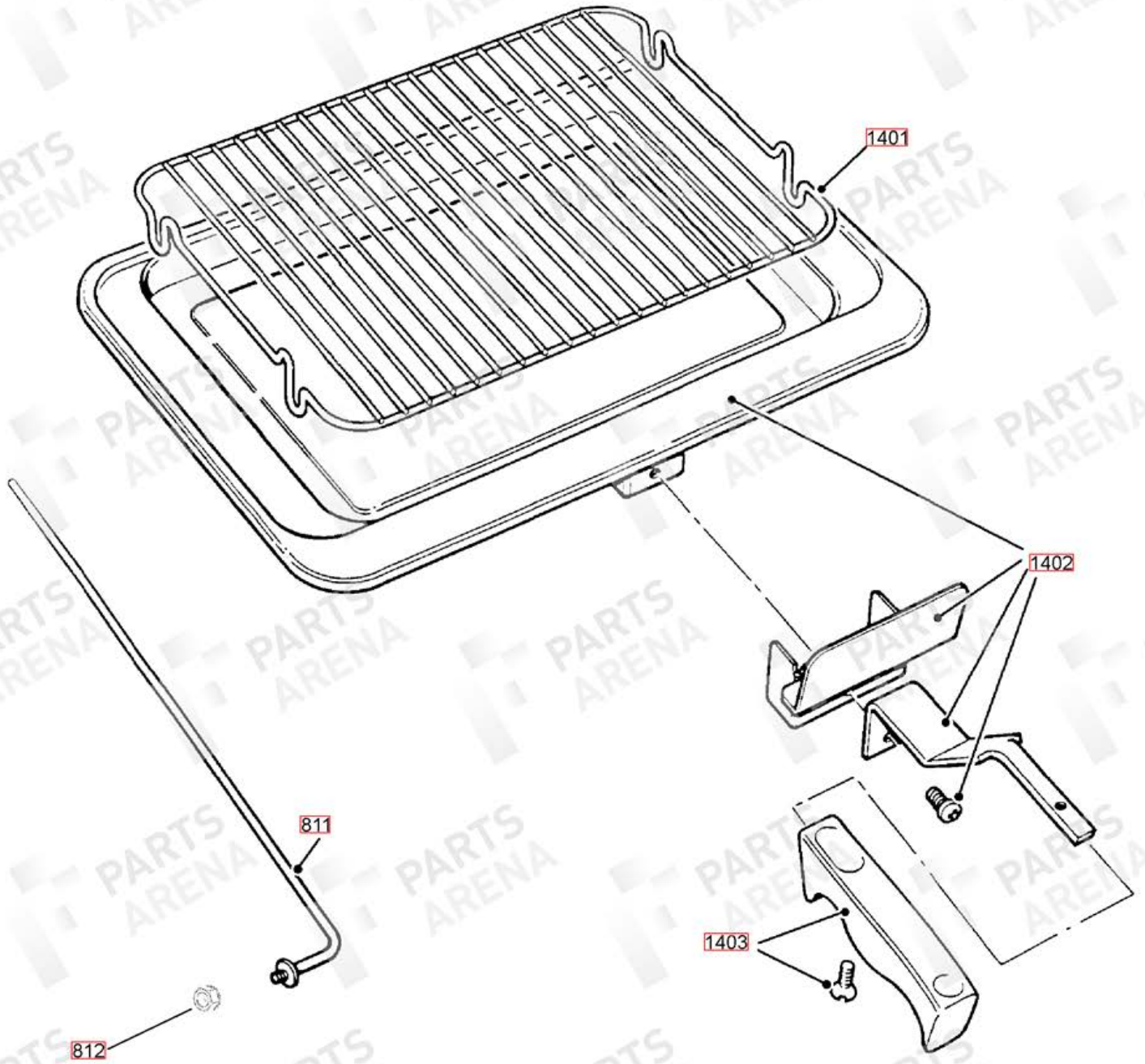


TALL OVEN DOOR & CHASSIS ASSEMBLY

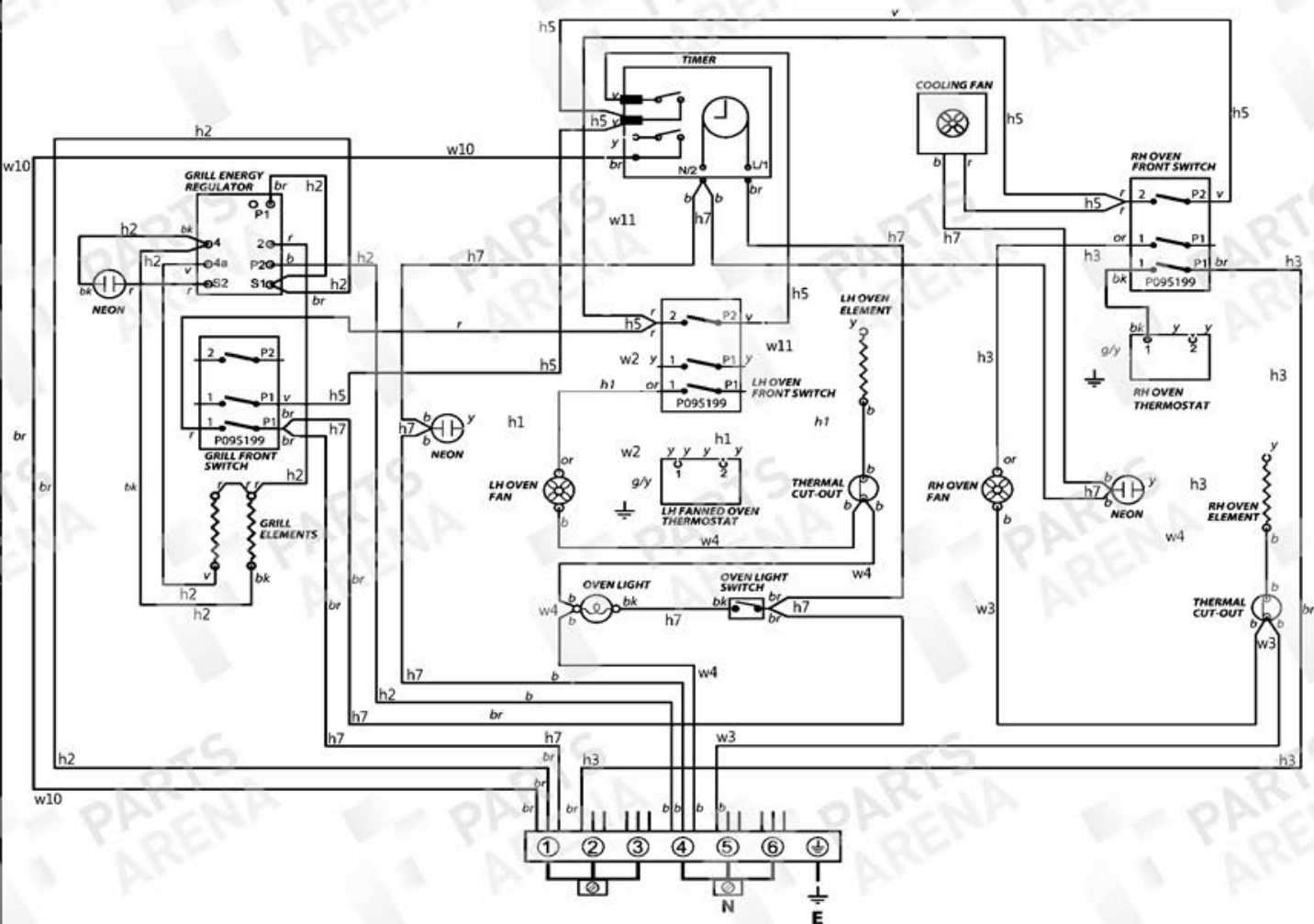


GRILL DOOR ASSEMBLY





GRILL PAN ASSEMBLY



Ref N°	Part N°	Colour	Quantity	Description
h1	P064453	or/y	1	WIRING HARNESS - LH FANNED OVEN
h2	P064445	r/bk/b/v/br	1	HARNESS - GRILL
h3	P064454	or/br/y	1	FANNED OVEN HARNESS
h4	P051839	br/b/g/y	1	NI - HOB SUPPLY HARNESS, MALE BULKHEAD
w1	P052073	g/y	1	NI - HARNESS - EARTH IND. UNIT / CHASSIS
w2	P037863	y	2	OBS WIRE ASSEMBLY - USE ASSY VERSION
h5	P064447	r/v	1	HARNESS - COOLING FAN
h6	P064446	br/b	1	NI - HARNESS - MAINS TERMINAL CONNECT
w3	P027733	b	1	WIRE ASSEMBLY
w4	P025995	b	1	WIRE ASSEMBLY
w5	P040066	b	2	WIRE ASSEMBLY
w6	P027672	g/y	1	NI - WIRE ASSEMBLY
w7	P095450	g/y	1	NI - WIRE ASSEMBLY
w8	P094943	g/y	2	NI - WIRE ASSEMBLY
w9	P055374	g/y	2	NI - WIRE ASSEMBLY
w10	P064448	br	1	BROWN LINK - TB TO TIMER RELAY
h7	P064819	bl/br/b	1	WIRING HARNESS - AUX / 90 / 100
w11	P048632	y	1	YELLOW LINK TIMER TO LH OVEN SWITCH

Code	Colour
b	Blue
br	Brown
bk	Black
or	Orange
r	Red
v	Violet
w	White
y	Yellow
g/y	Green/yellow