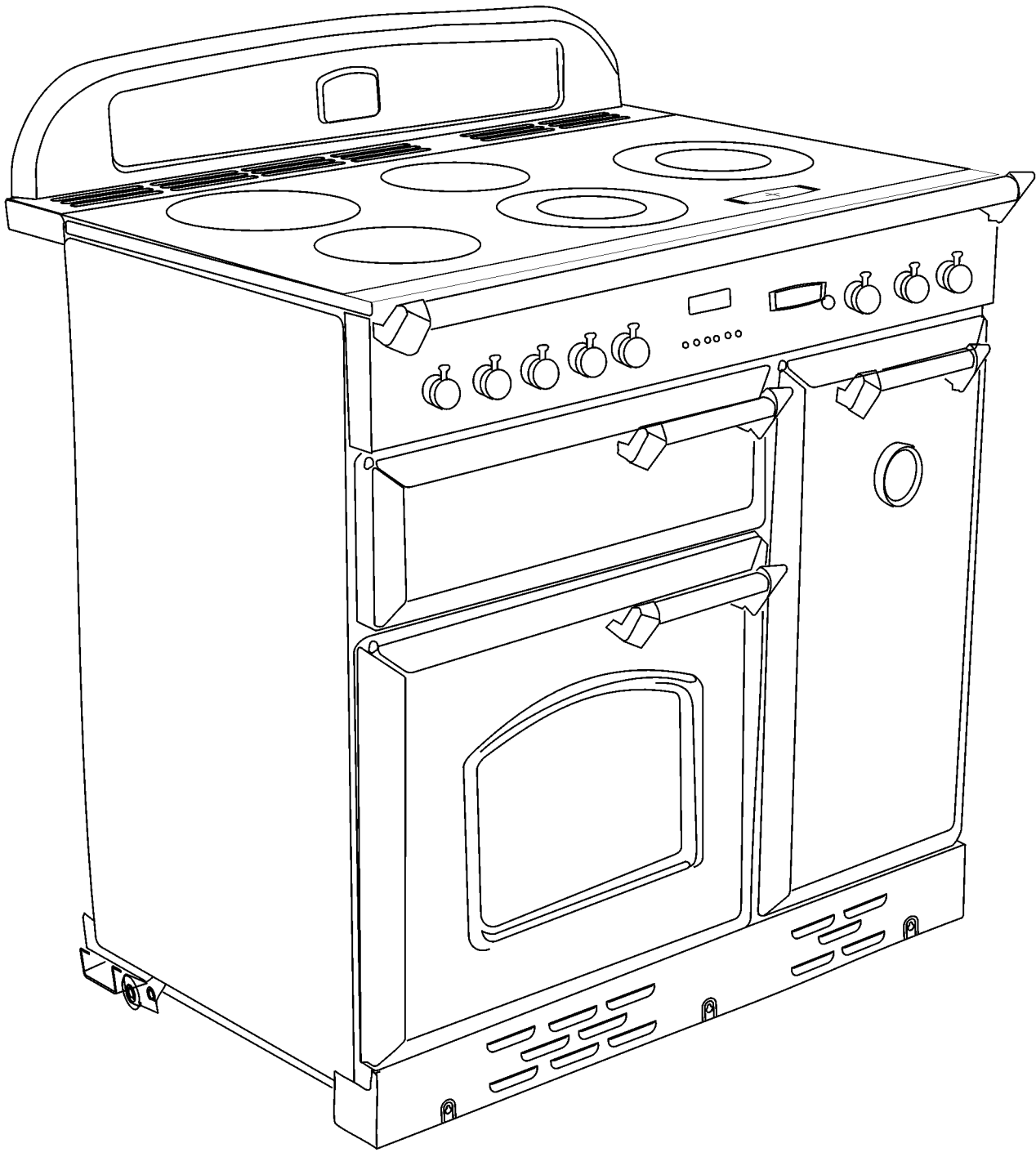


APPLIANCE NAME:  
CLASSIC 90 CERAMIC

DATE 30.11.04

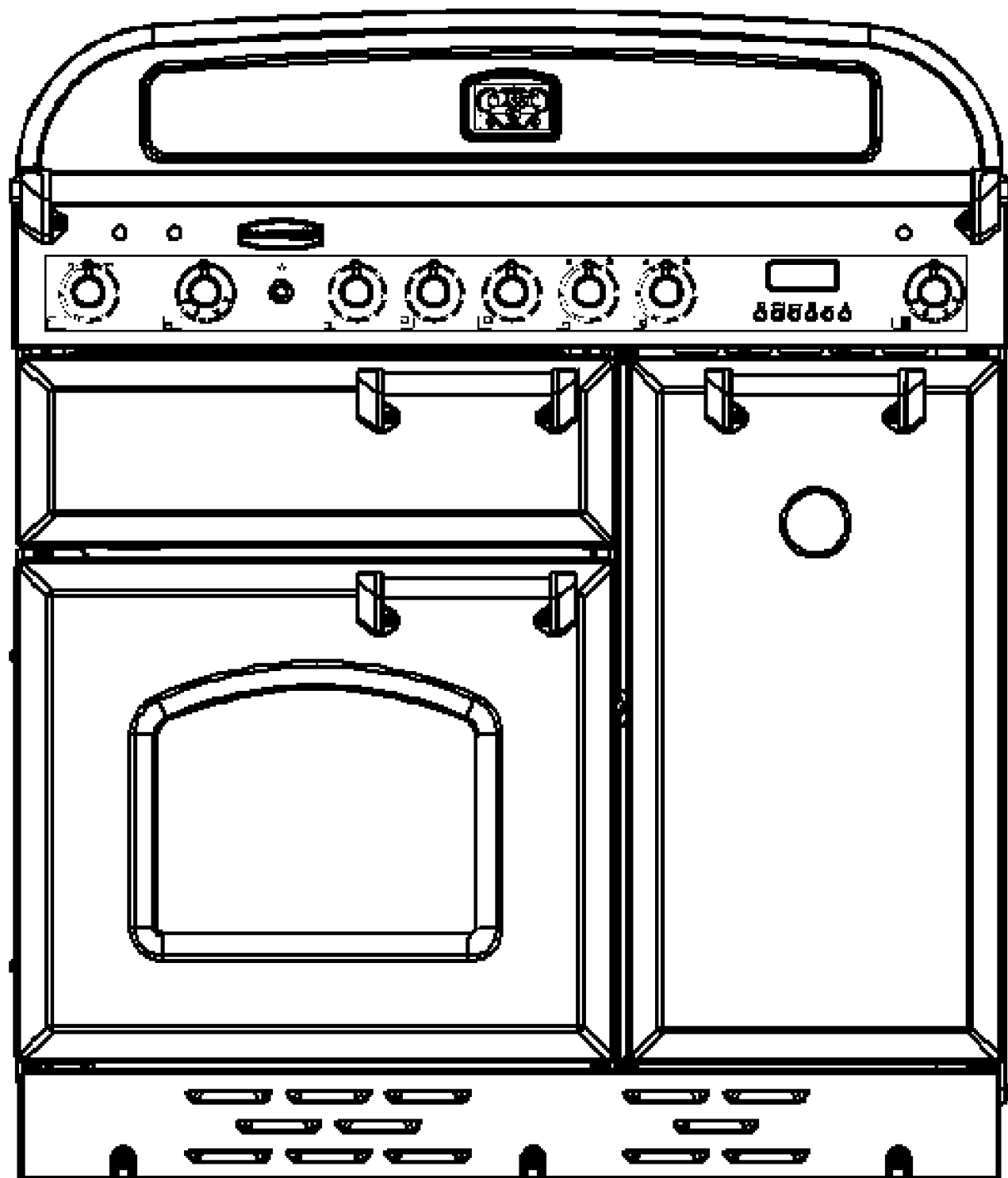
**DSL0210 P00**  
ISSUE STATUS 02

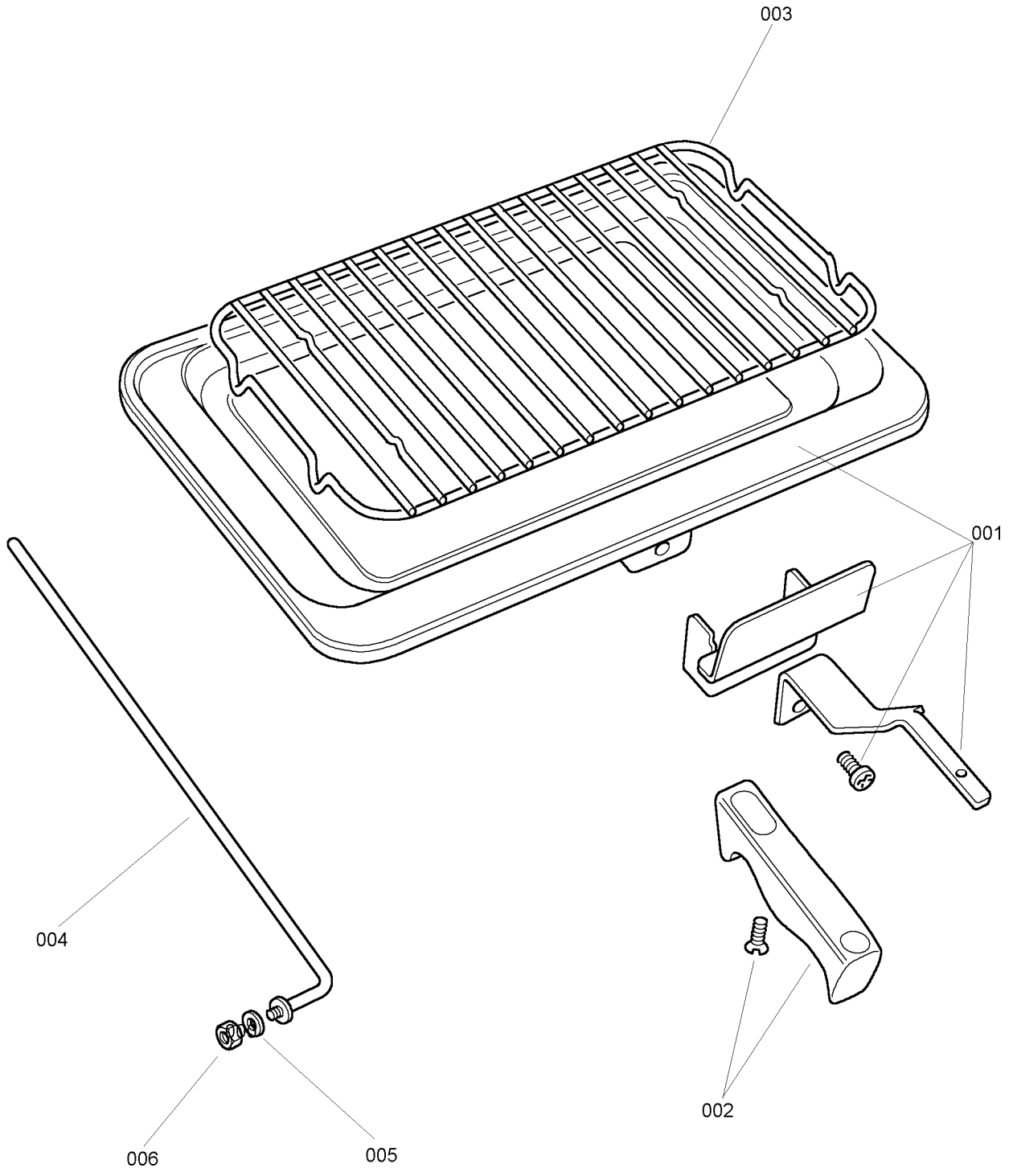


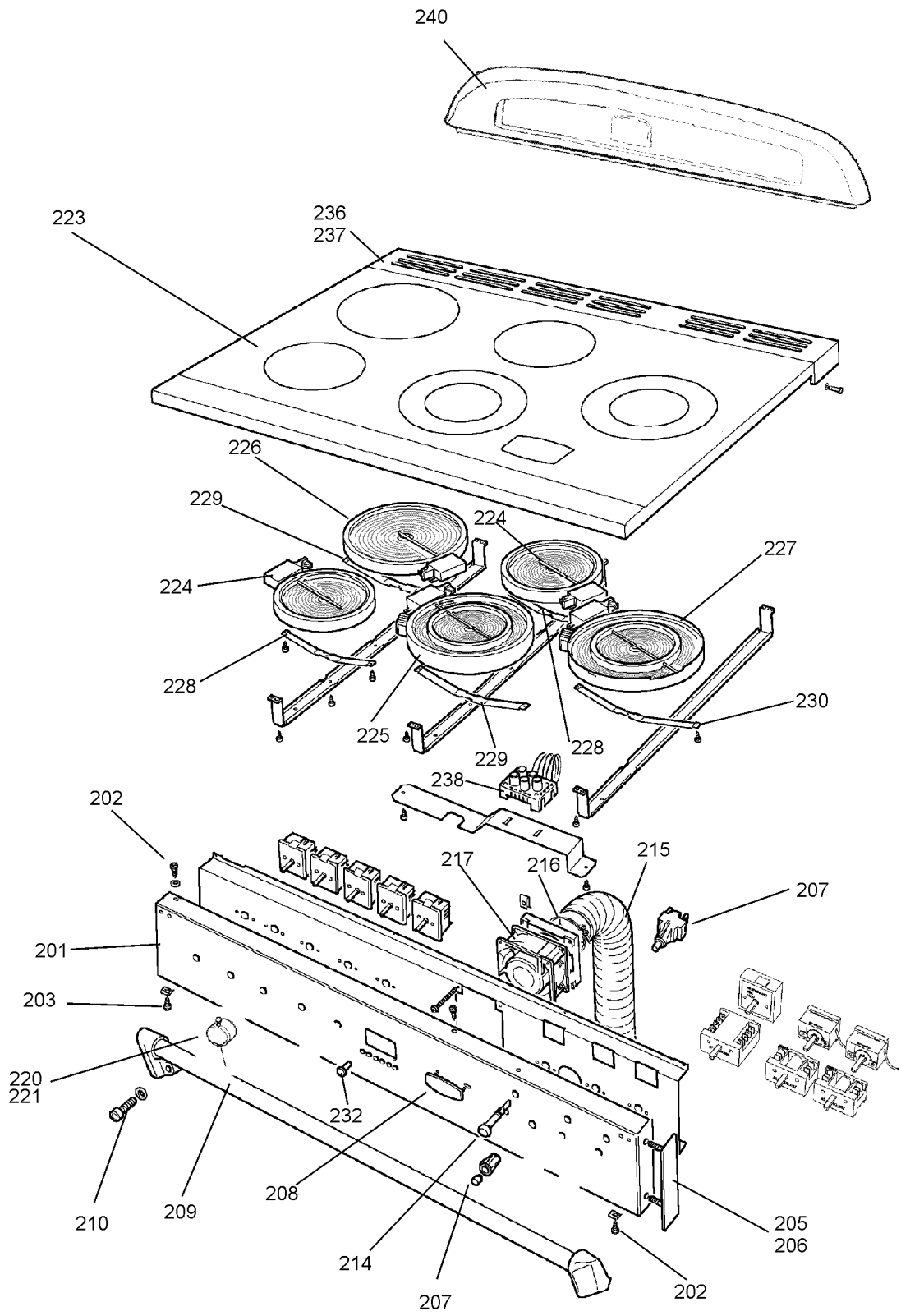
FALCON CLASSIC 90 CERAMIC  
FROM SERIAL No 150000

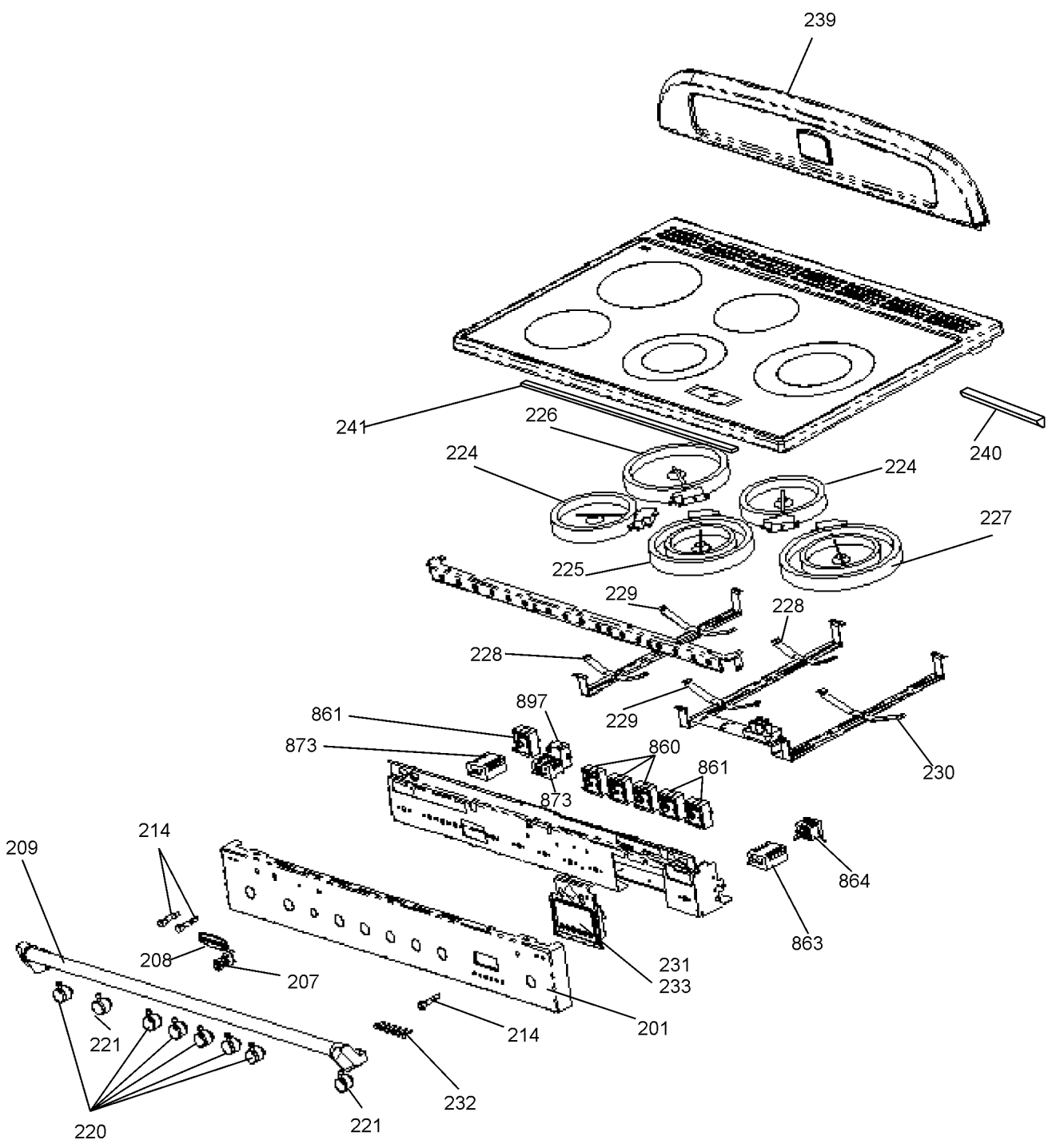
DATE 28.10.09

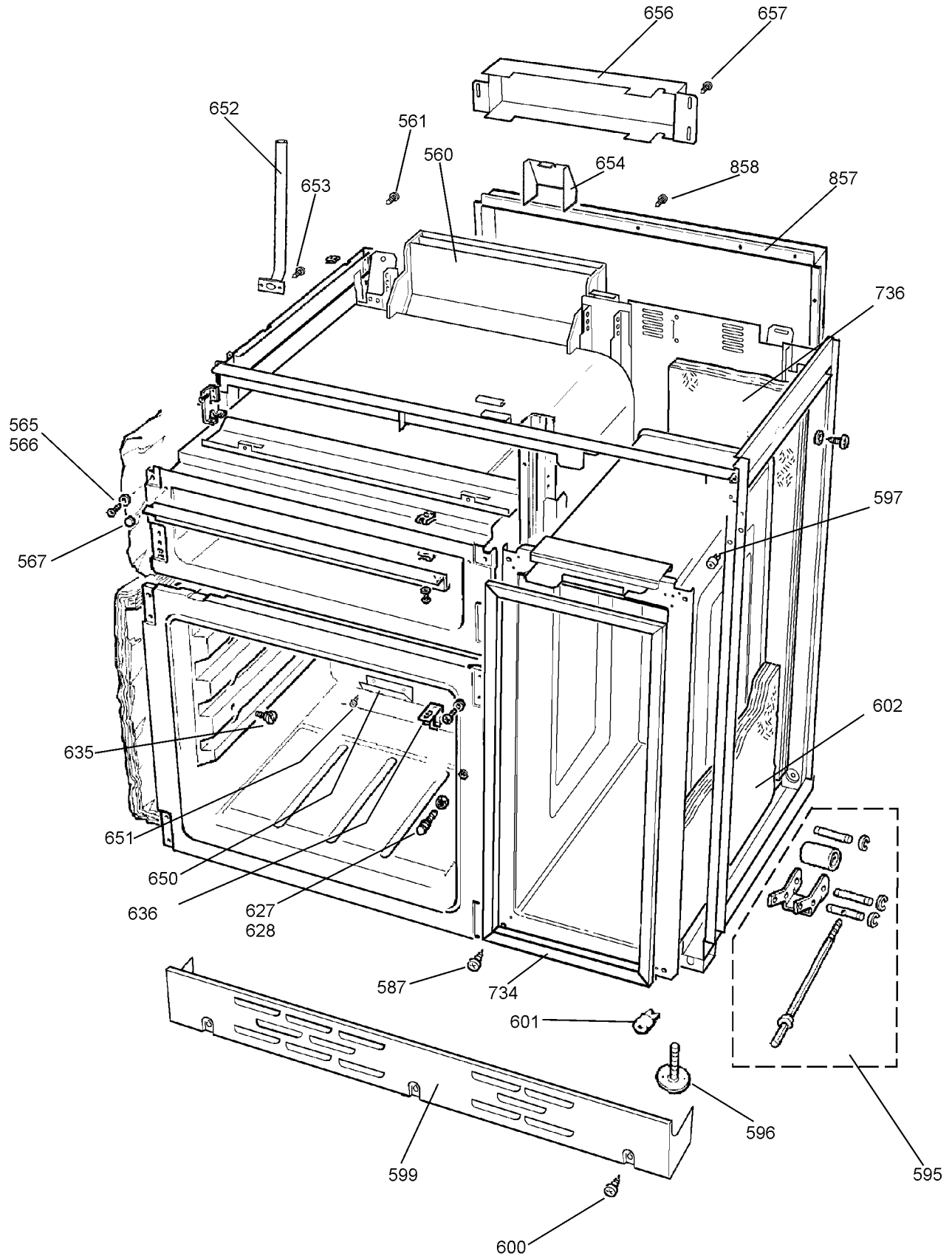
DSL0210 P00A  
ISSUE STATUS 01

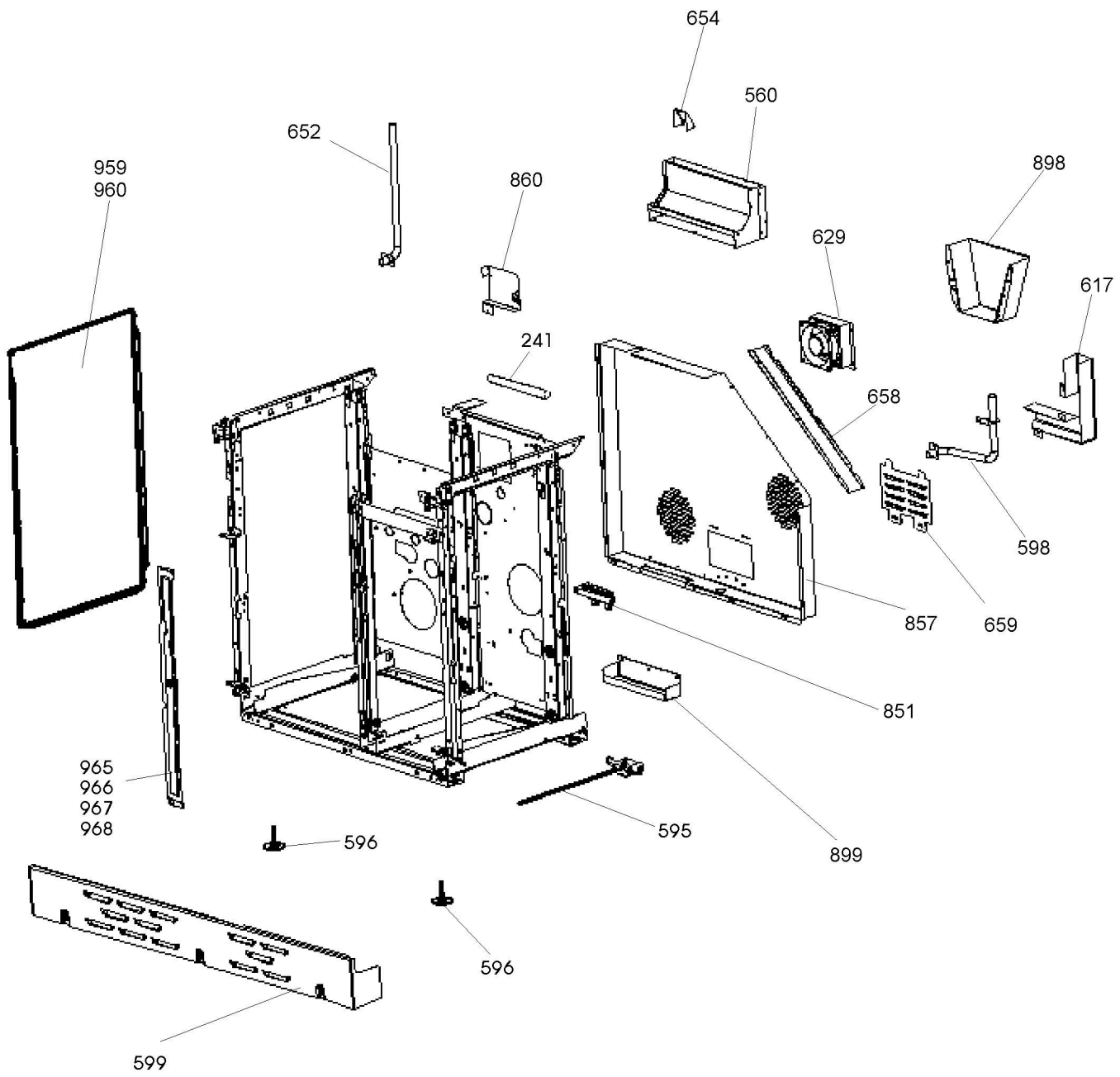


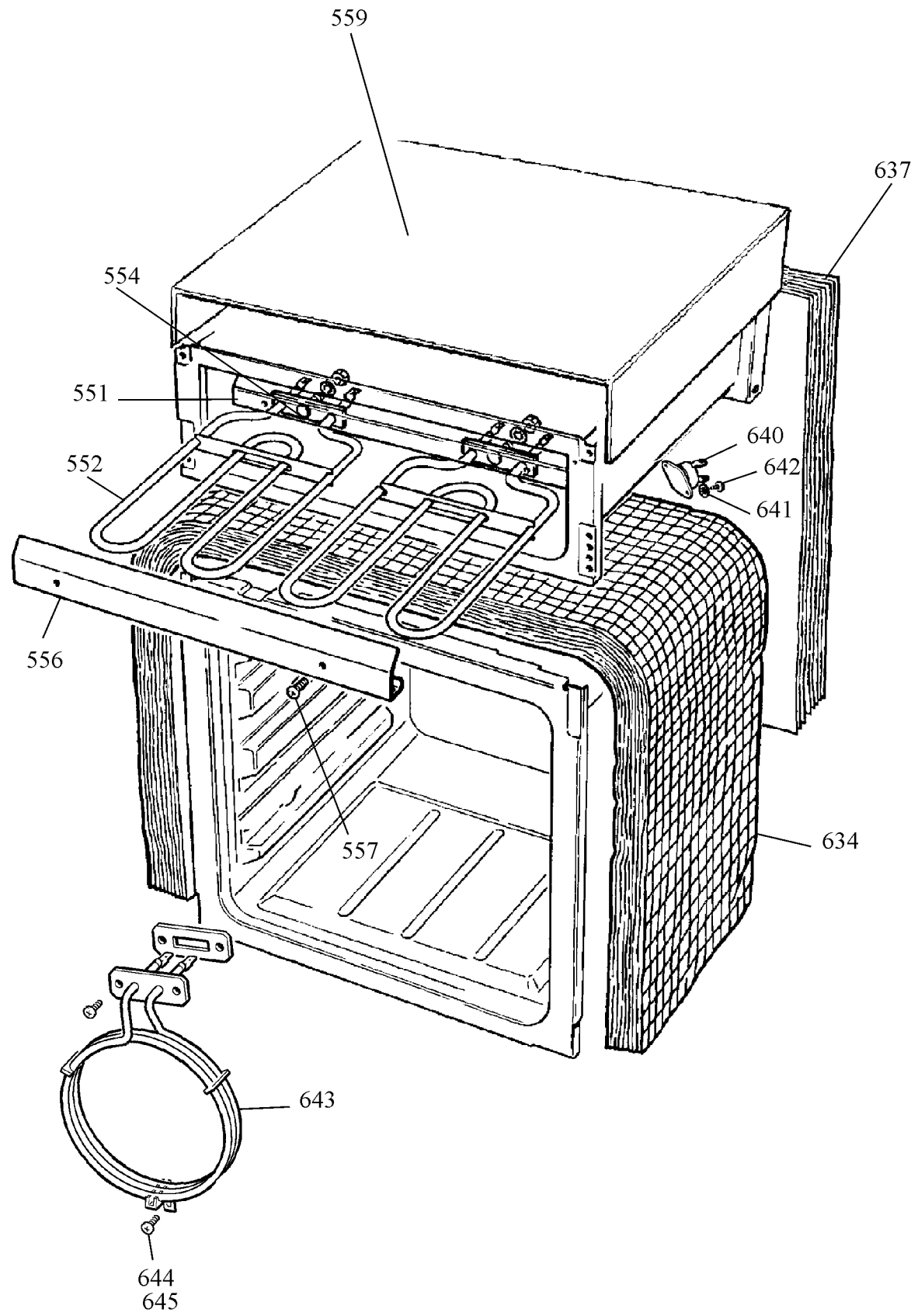




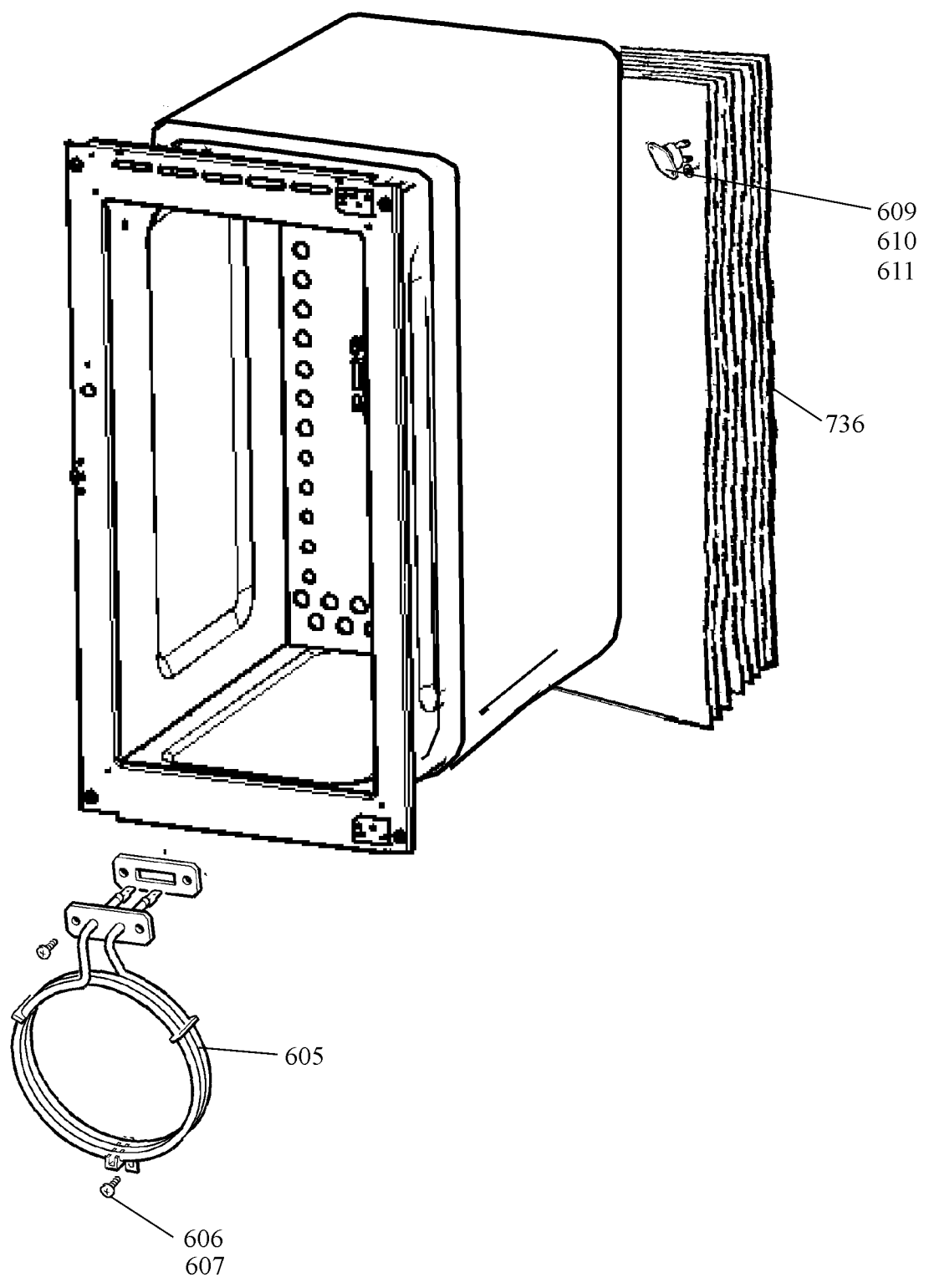


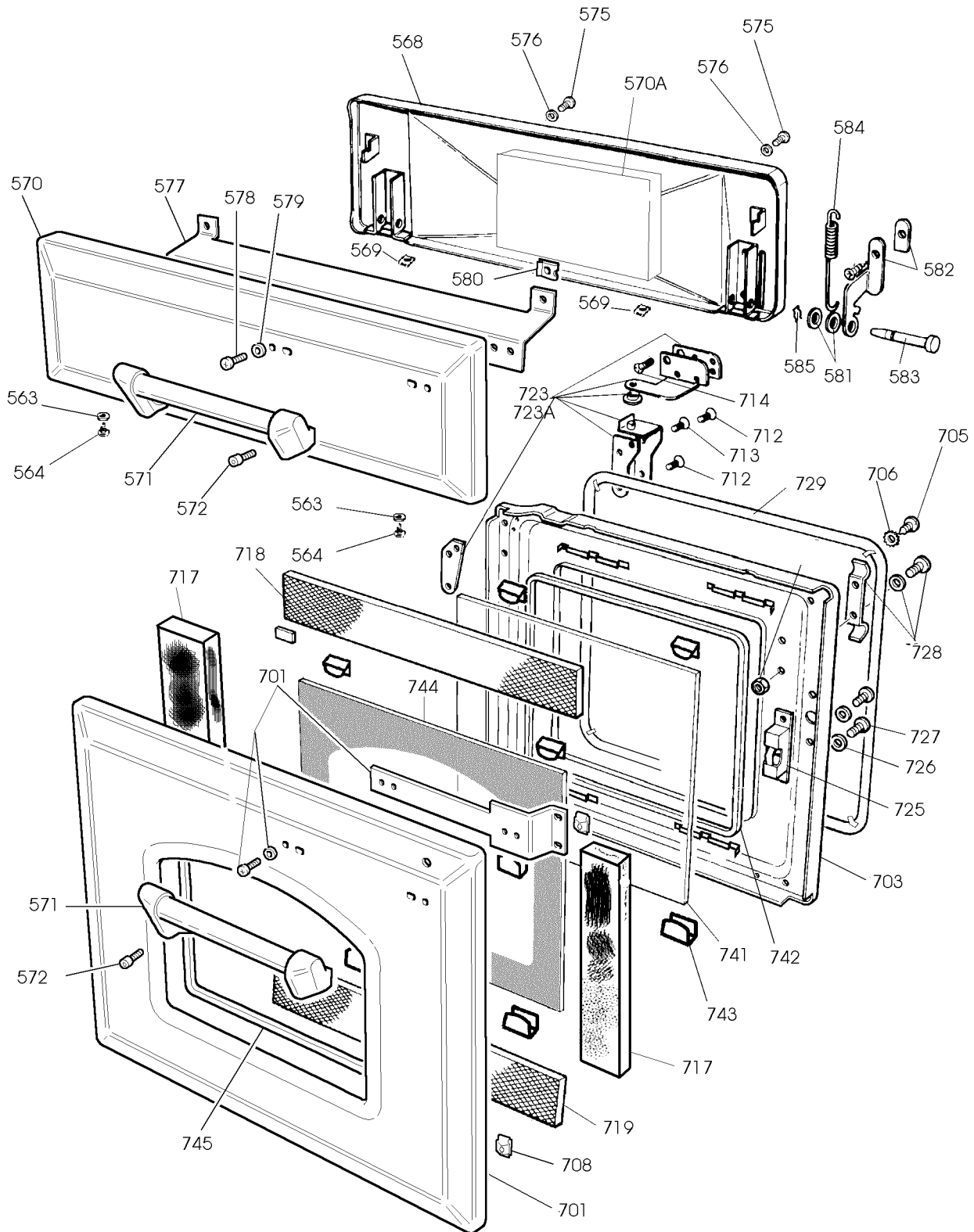






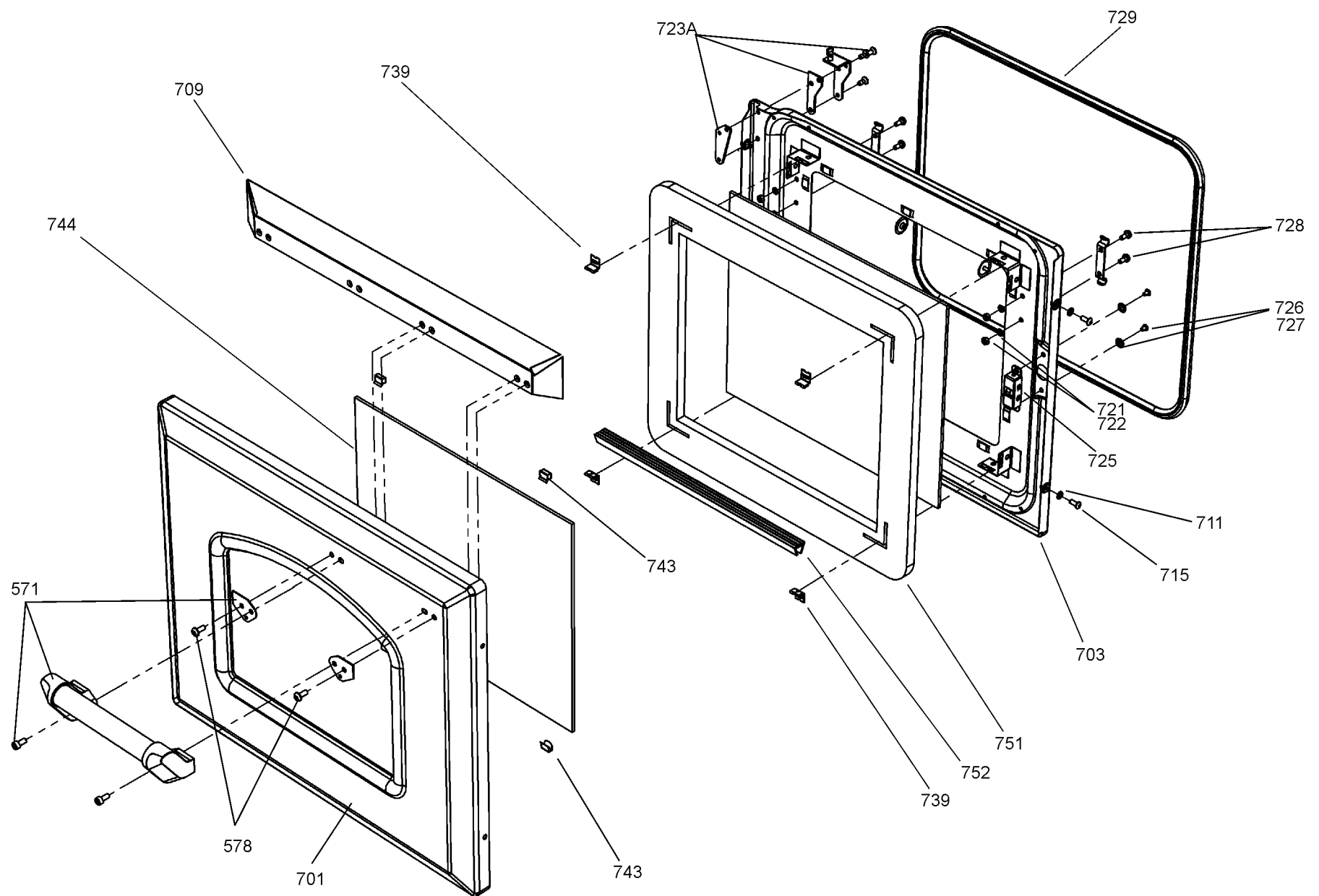


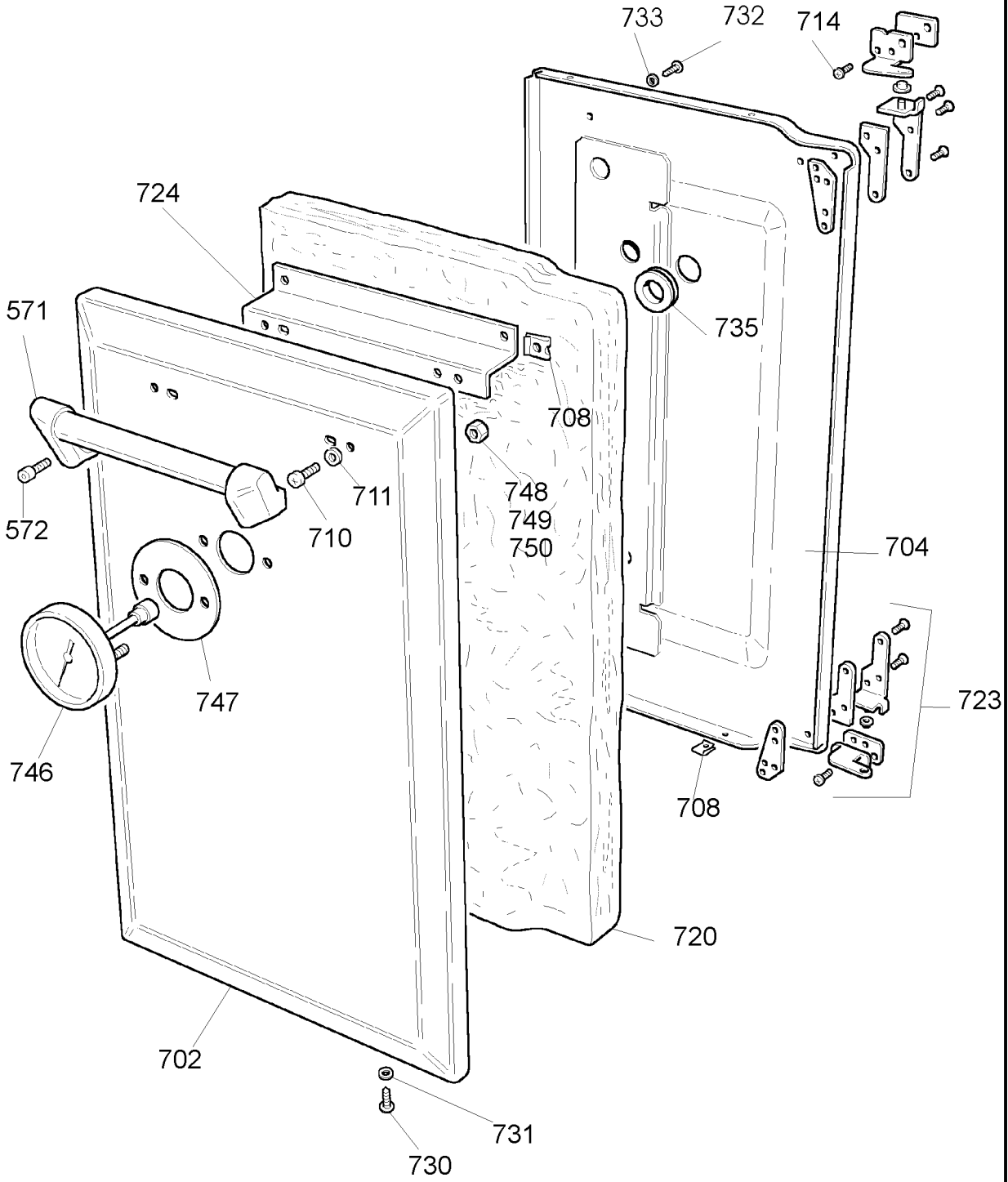




ALL MODELS  
FROM SER No120000

DSL0210 P06A  
DATE 26.11.07 ISSUE STATUS 001









APPLIANCE NAME:  
CLASSIC 90 CERAMIC

DATE 28.10.09

**DSL 0210 P10**  
ISSUE STATUS 03

UP TO SERIAL No 149999

