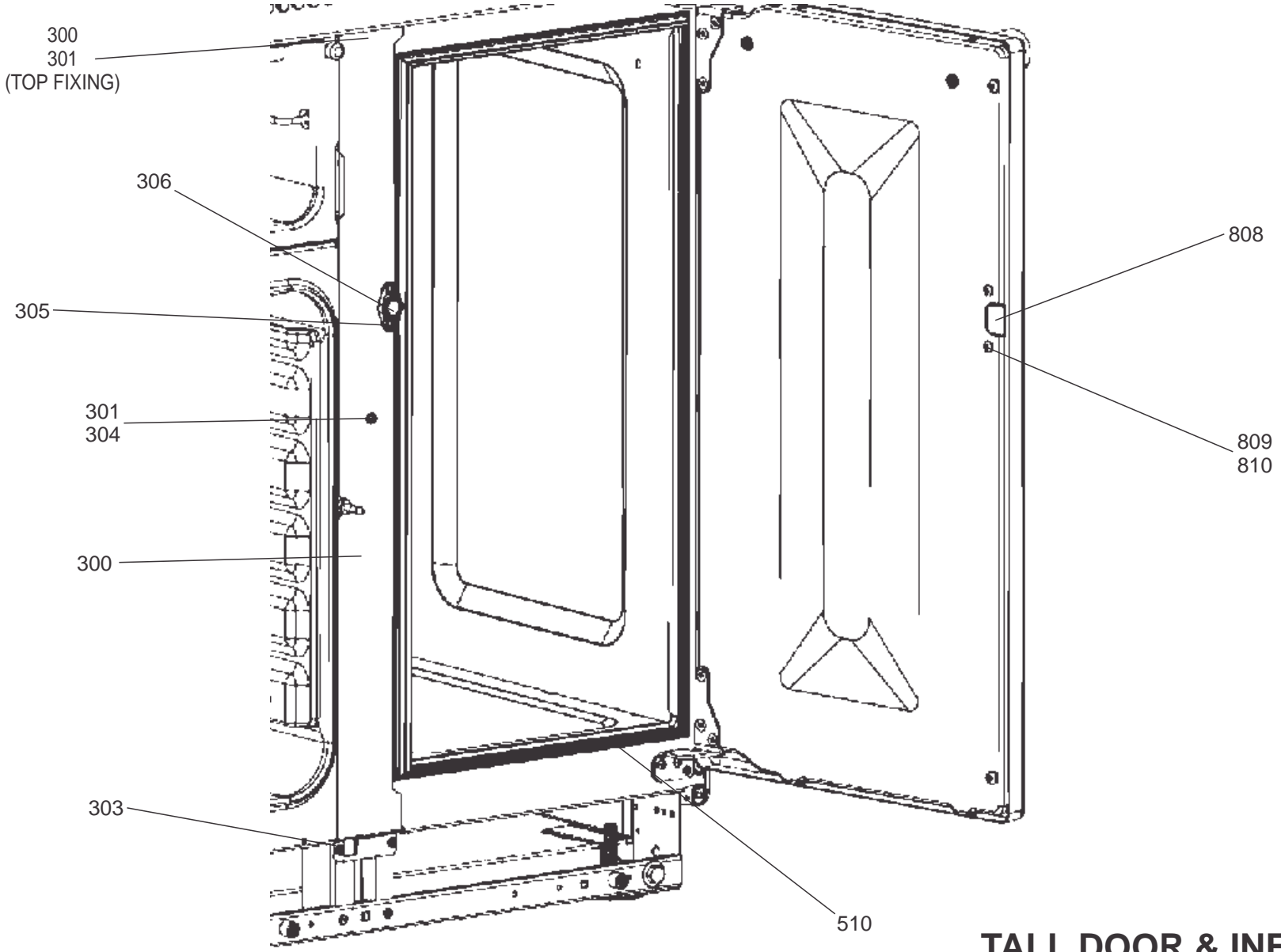


INDUCTION UNIT

**FALCON / RANGEMASTER
CLASSIC 90 CERAMIC**

DATE: 30.08.18

DSL0731 P04
ISSUE: 01

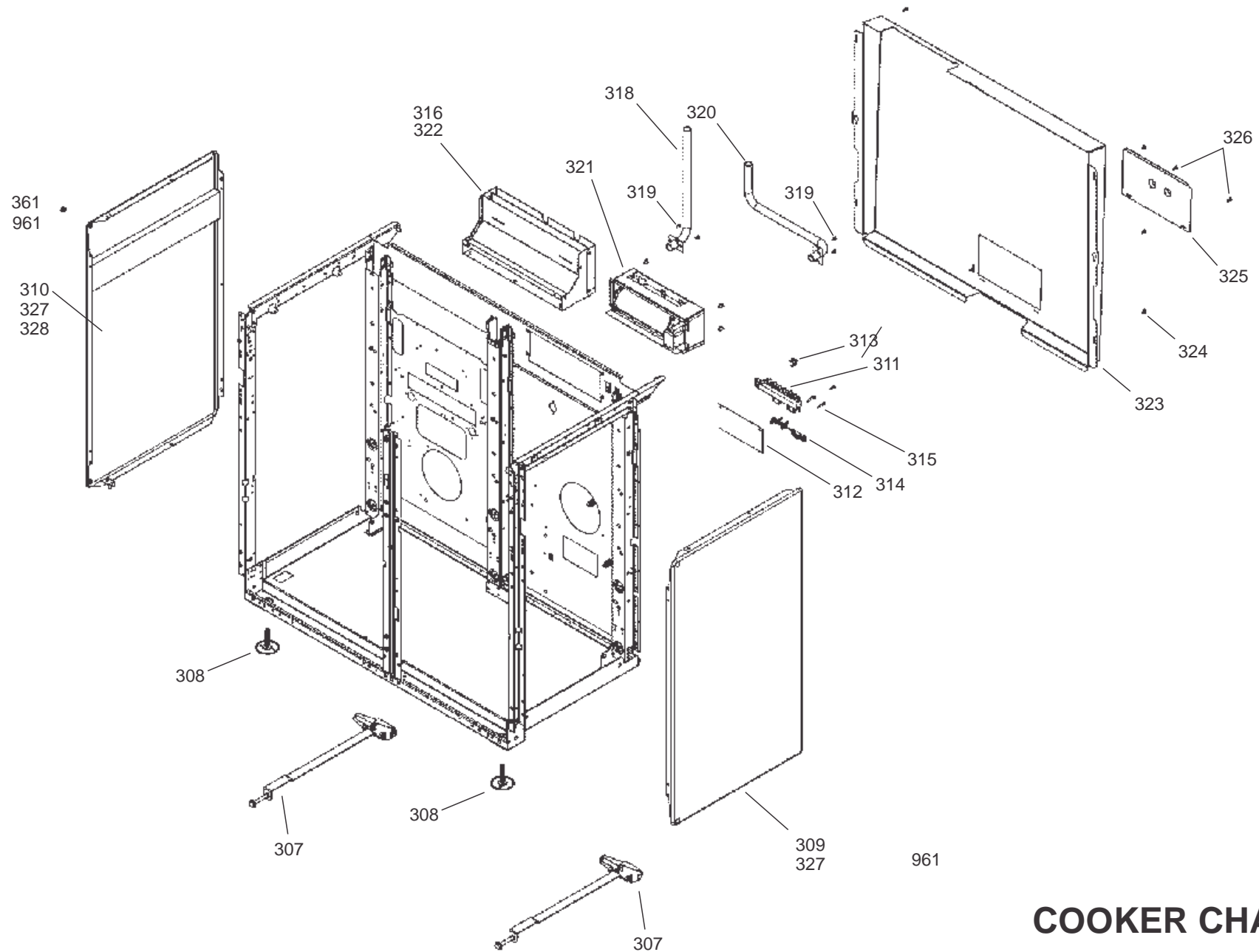


TALL DOOR & INFILL PLATE

**FALCON / RANGEMASTER
CLASSIC 90 CERAMIC**

DATE: 30.08.18

DSL0731 P05
ISSUE: 01

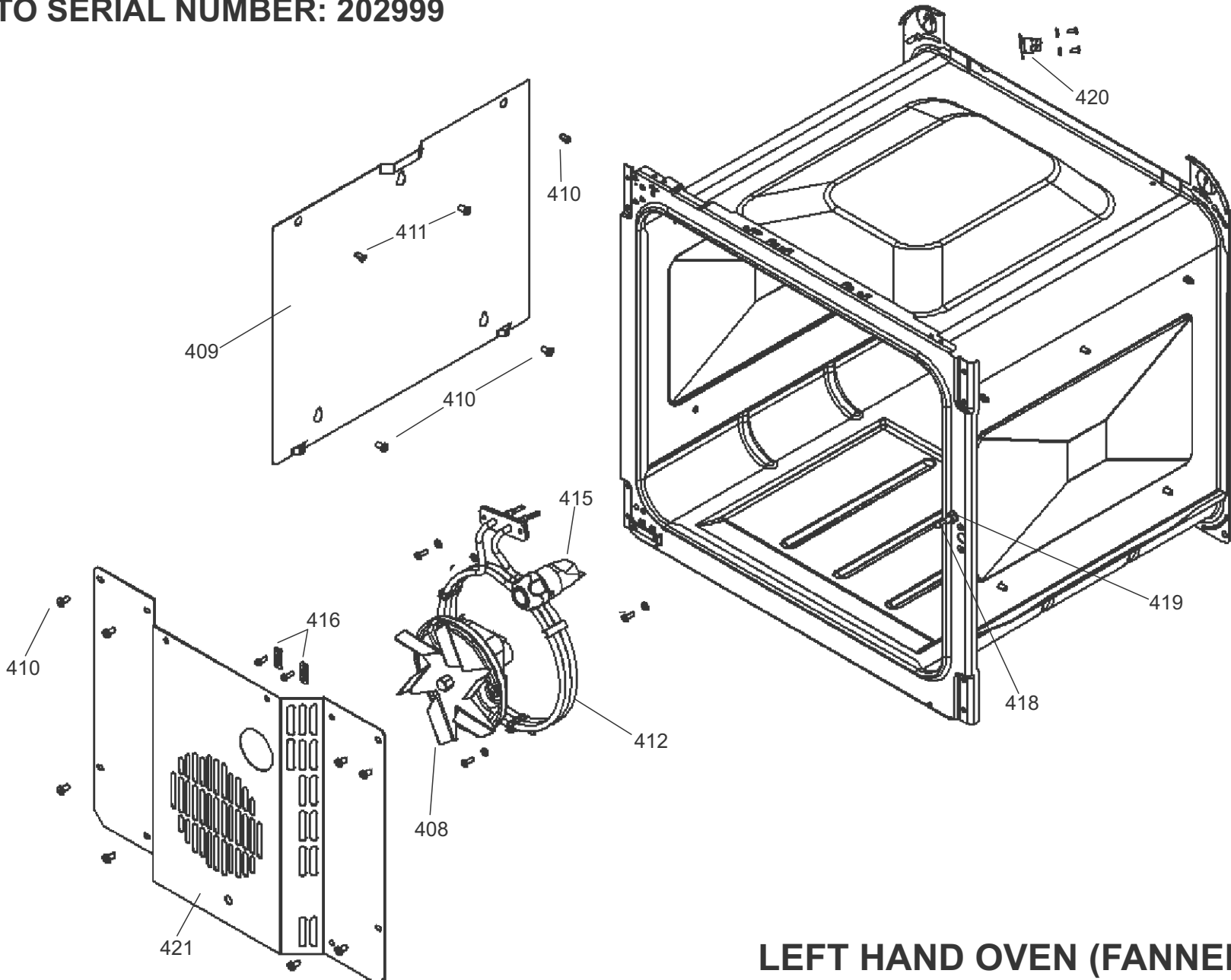


COOKER CHASSIS

**FALCON / RANGEMASTER
CLASSIC 90 CERAMIC
UP TO SERIAL NUMBER: 202999**

DATE: 30.08.18

DSL0731 P07
ISSUE: 02

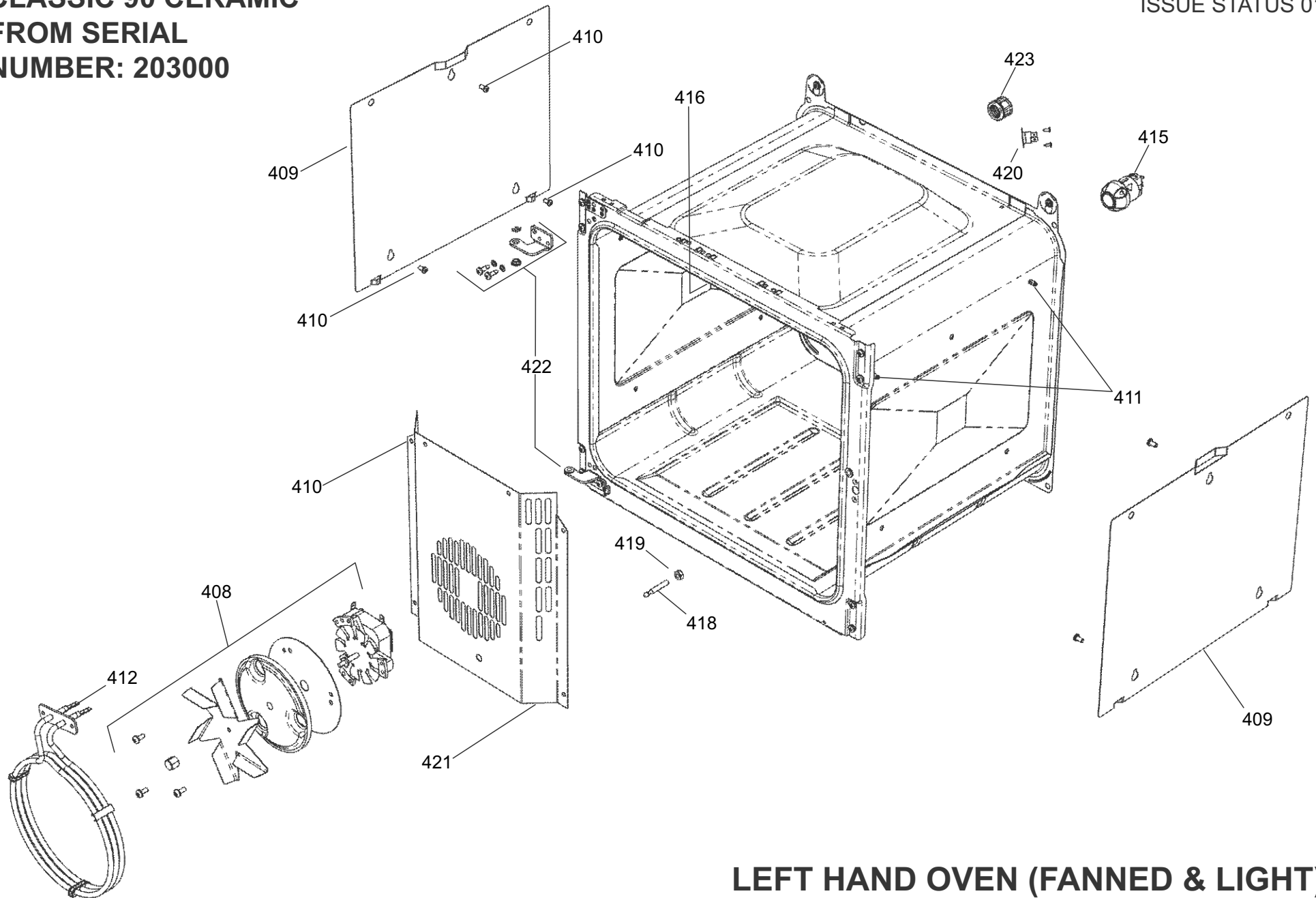


LEFT HAND OVEN (FANNED & LIGHT)

**FALCON / RANGEMASTER
CLASSIC 90 CERAMIC
FROM SERIAL
NUMBER: 203000**

DATE: 30.08.18

DSL0731 P07A
ISSUE STATUS 01

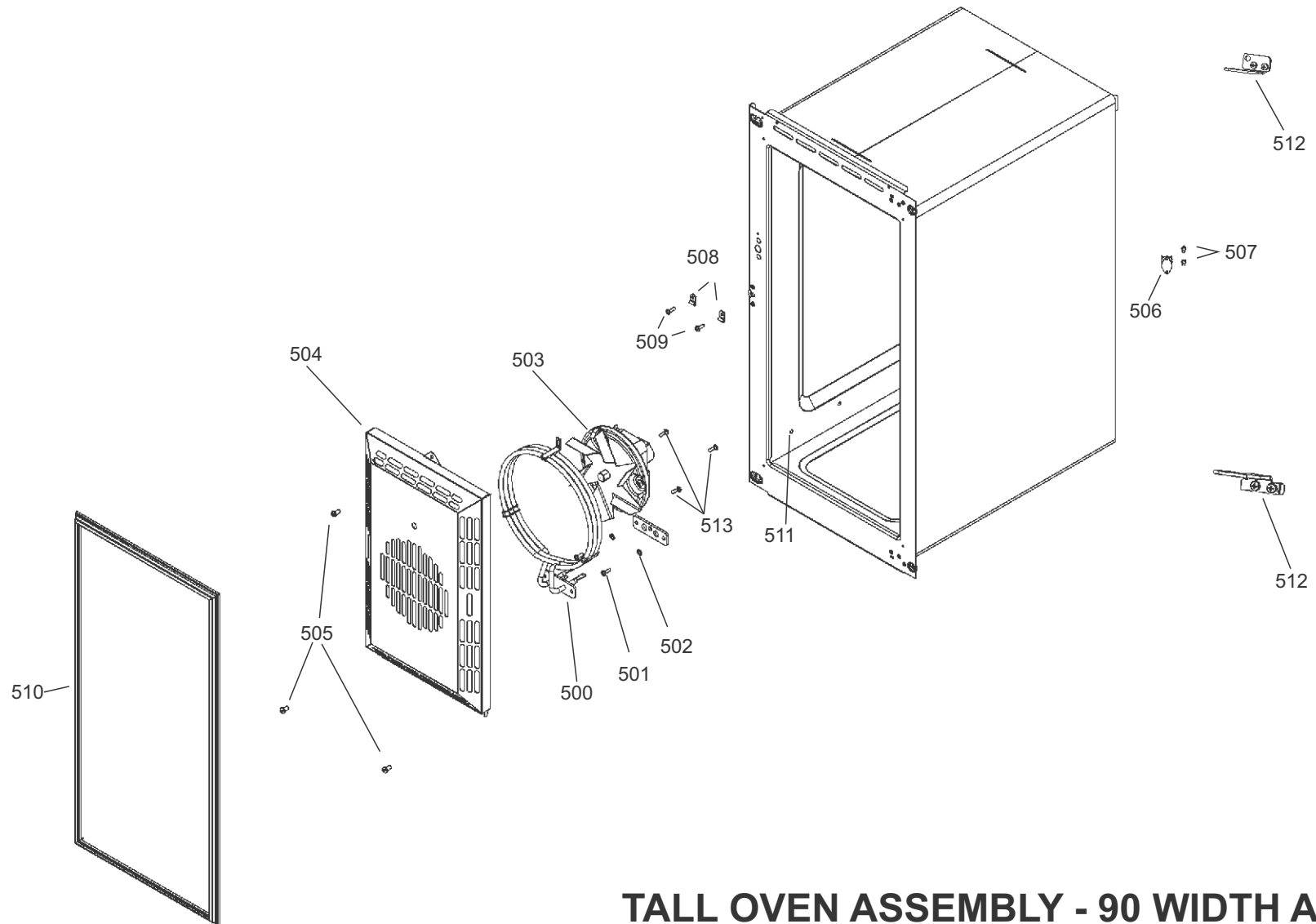


LEFT HAND OVEN (FANNED & LIGHT)

**FALCON / RANGEMASTER
CLASSIC 90 CERAMIC**

DATE: 30.08.18

DSL0731 P08
ISSUE: 01

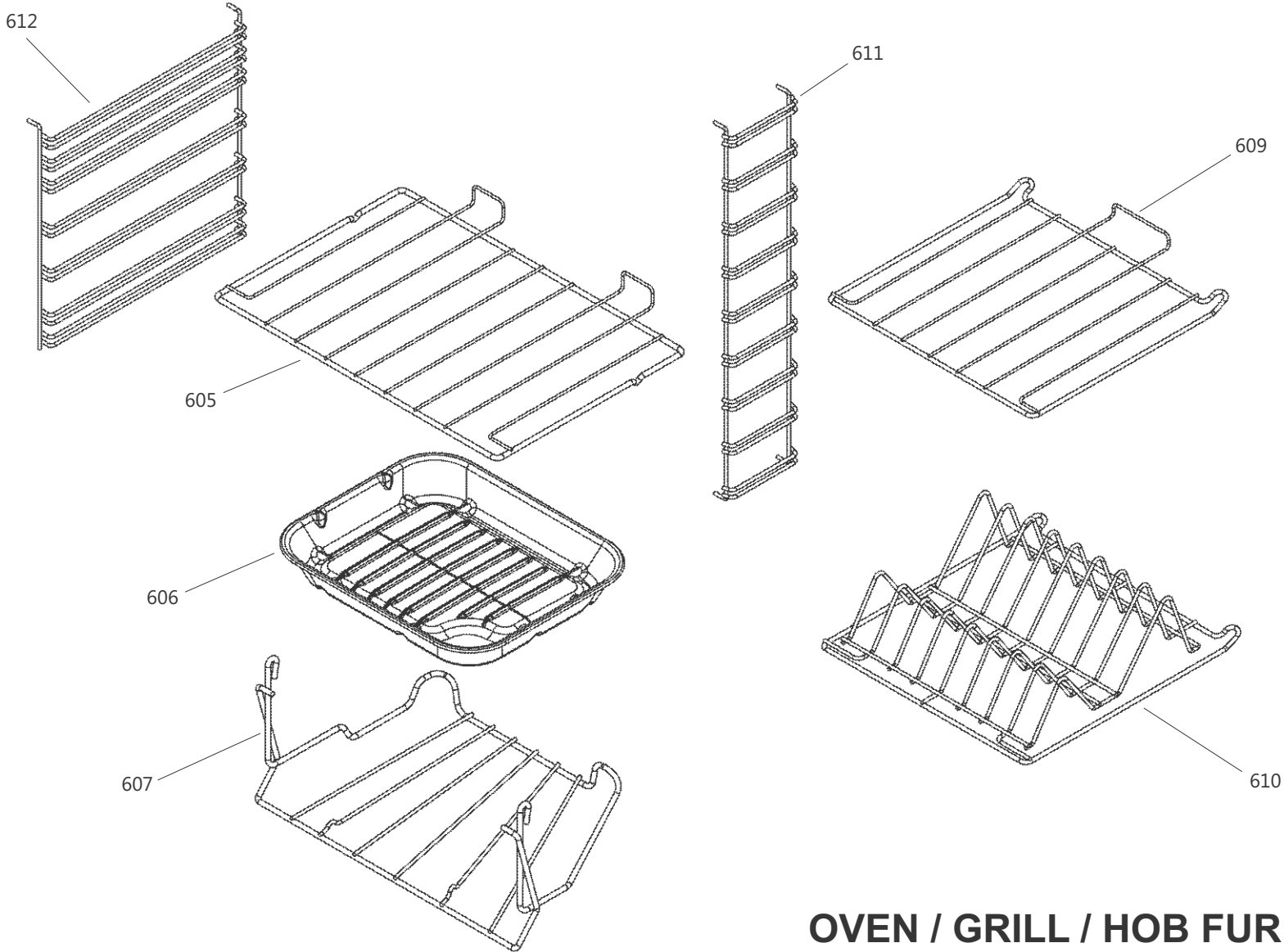


TALL OVEN ASSEMBLY - 90 WIDTH APPLIANCE

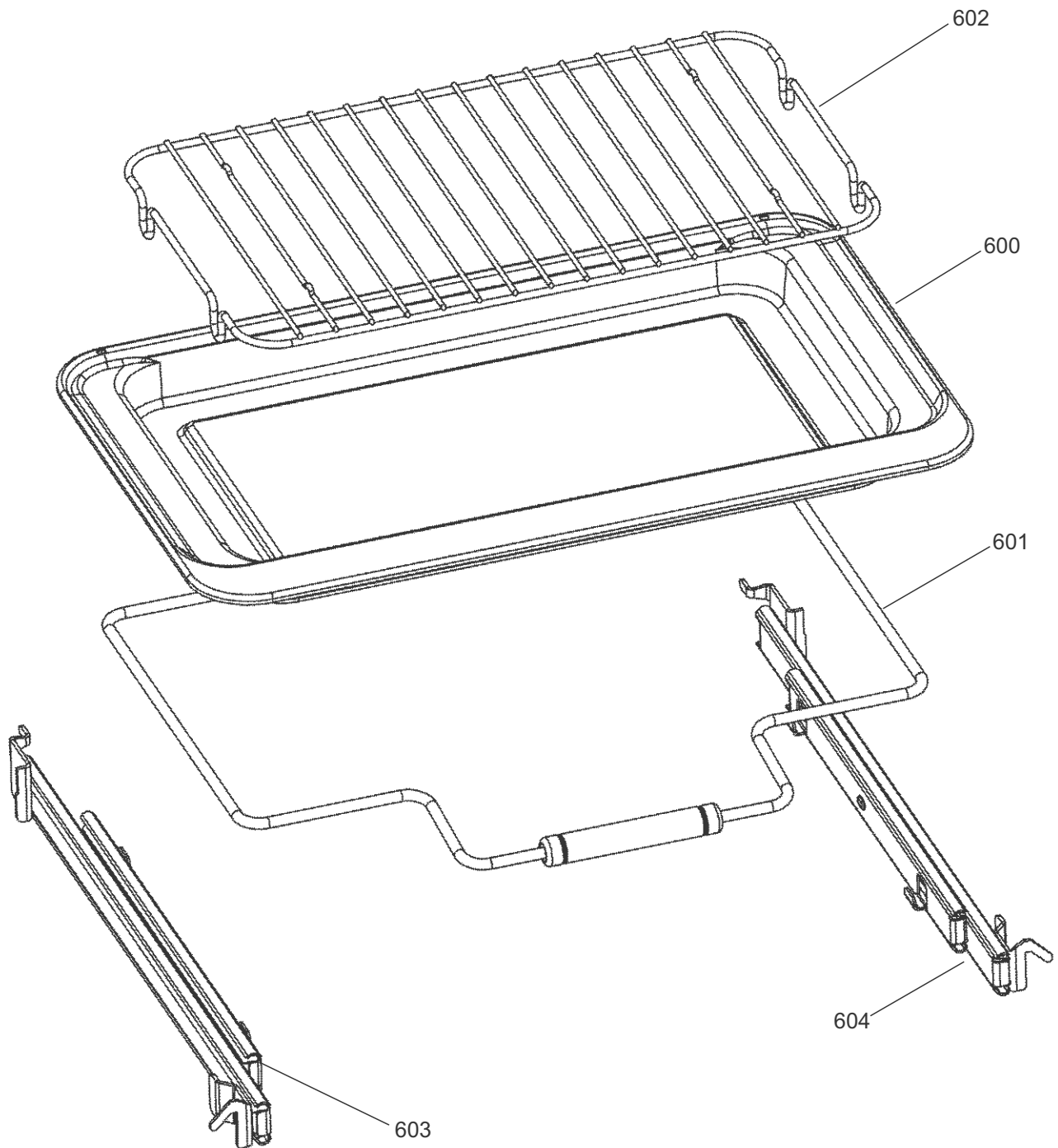
**FALCON / RANGEMASTER
CLASSIC 90 CERAMIC**

DATE: 30.08.18

DSL0731 P09
ISSUE: 01



OVEN / GRILL / HOB FURNITURE



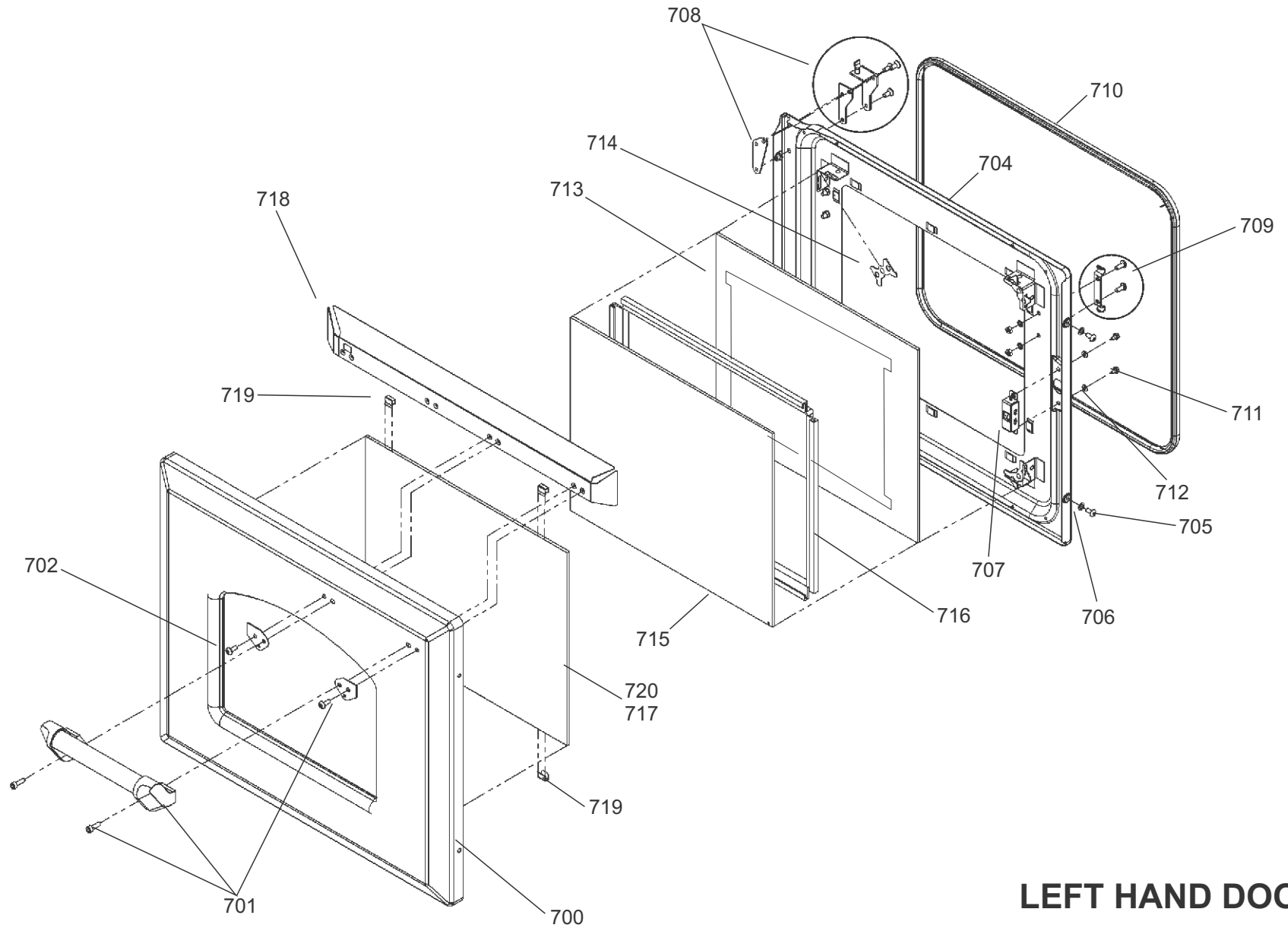
GRILL PAN AND ACCESSORIES

**FALCON / RANGEMASTER
CLASSIC 90 CERAMIC**

DATE: 30.08.18

DSL0731 P10

ISSUE: 01

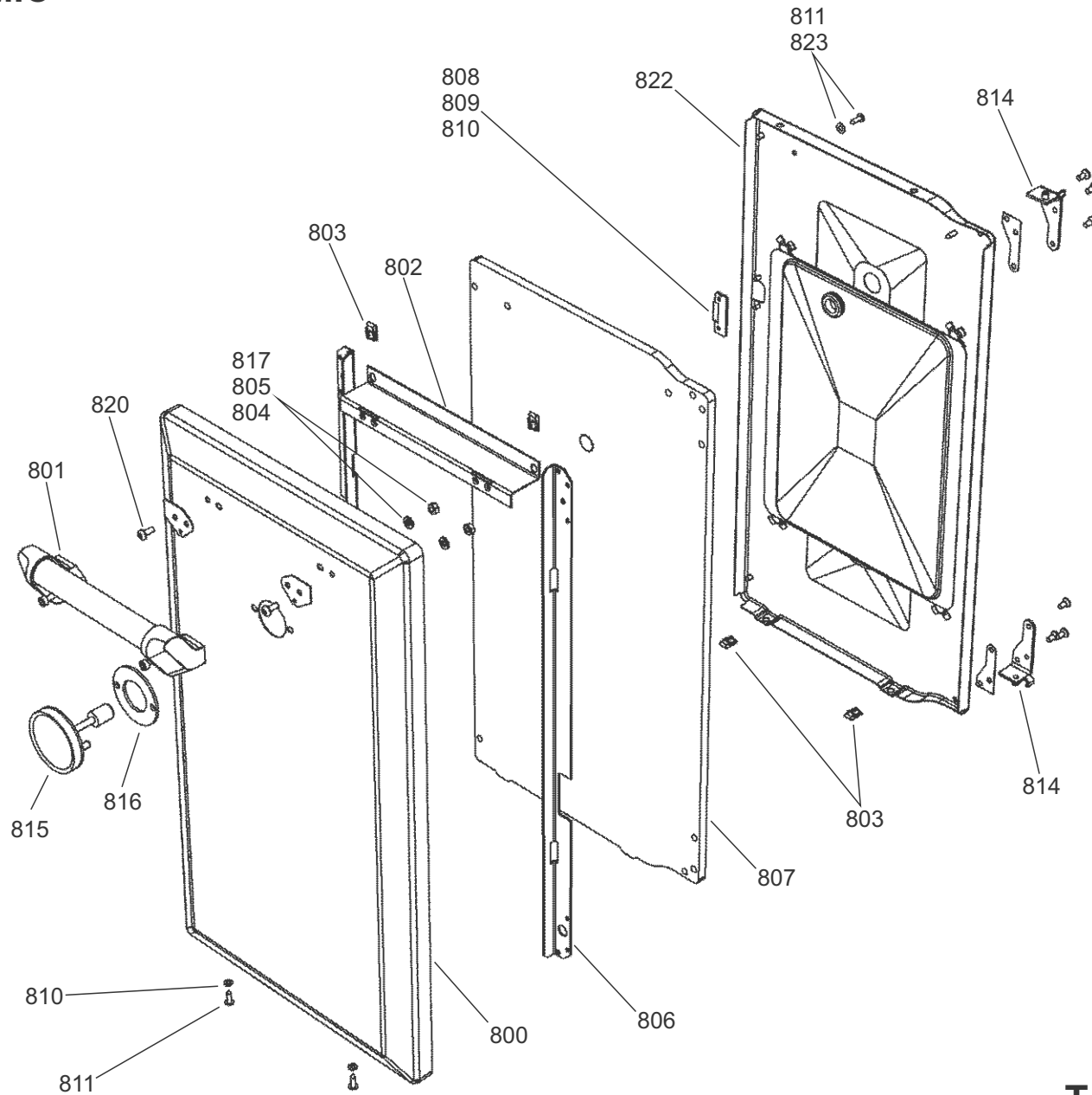


LEFT HAND DOOR

**FALCON / RANGEMASTER
CLASSIC 90 CERAMIC**

DATE: 30.08.18

DSL0731 P11
ISSUE: 01

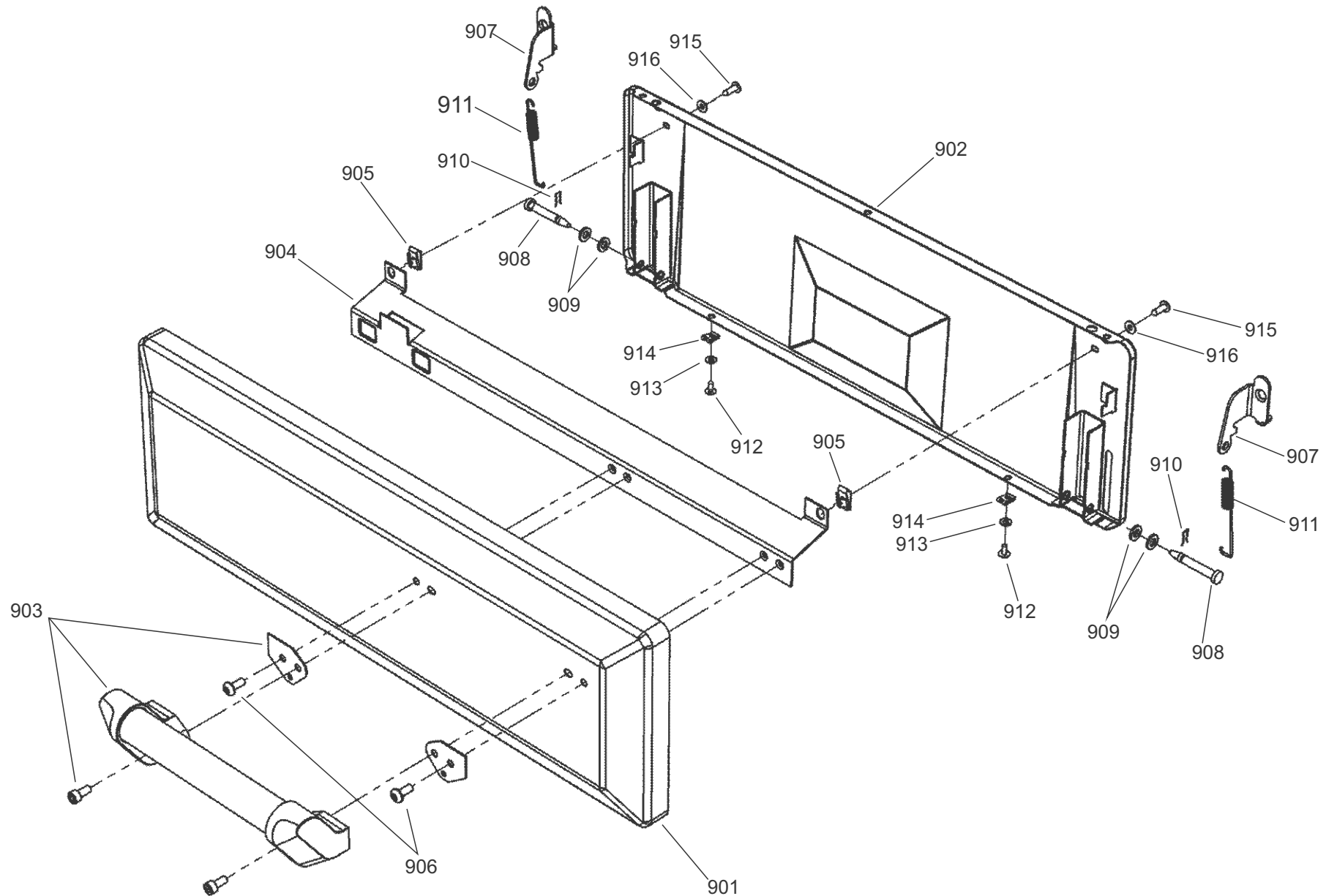


TALL OVEN DOOR

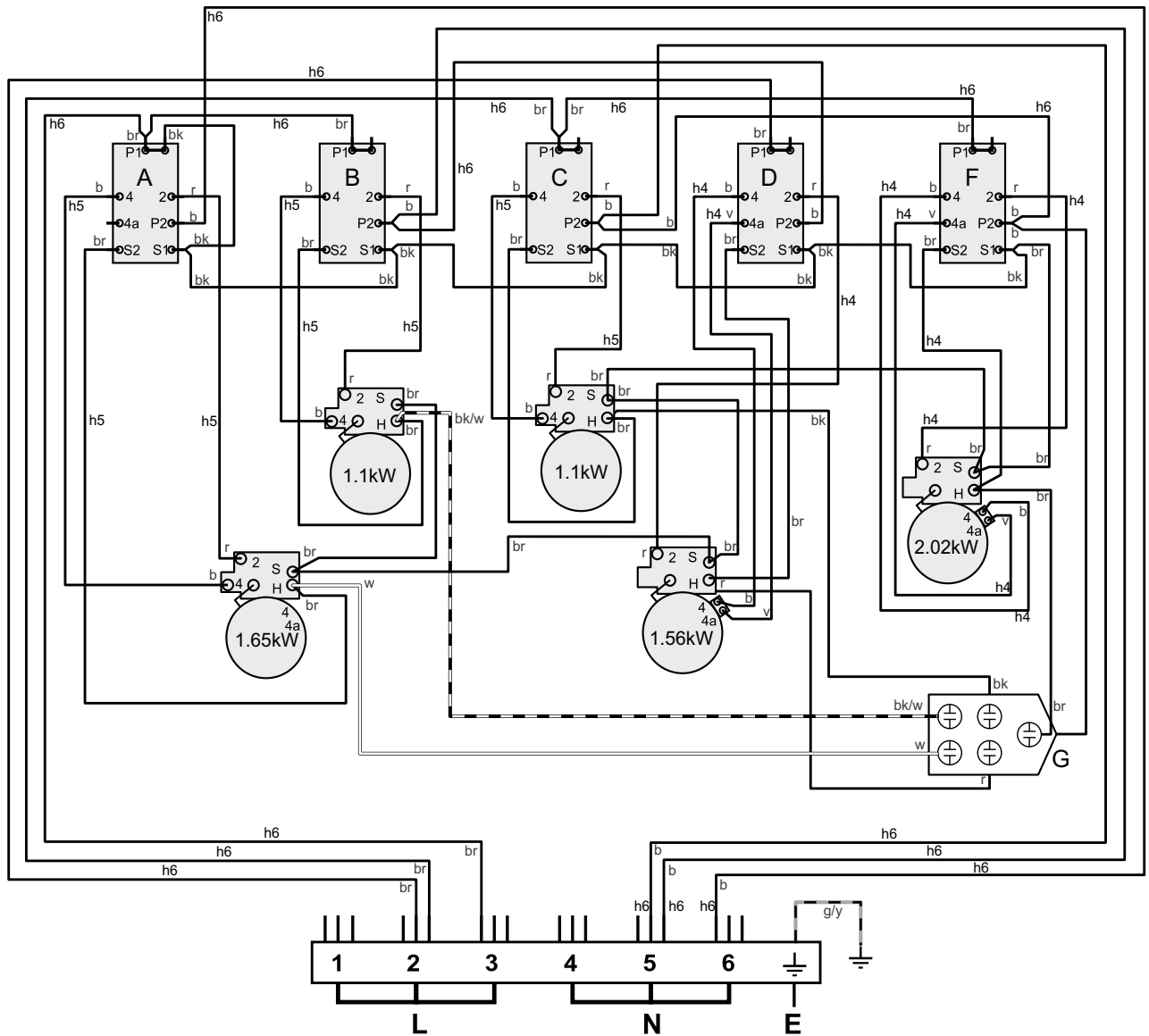
**FALCON / RANGEMASTER
CLASSIC 90 CERAMIC**

DATE: 30.08.18

DSL0731 P12
ISSUE: 01

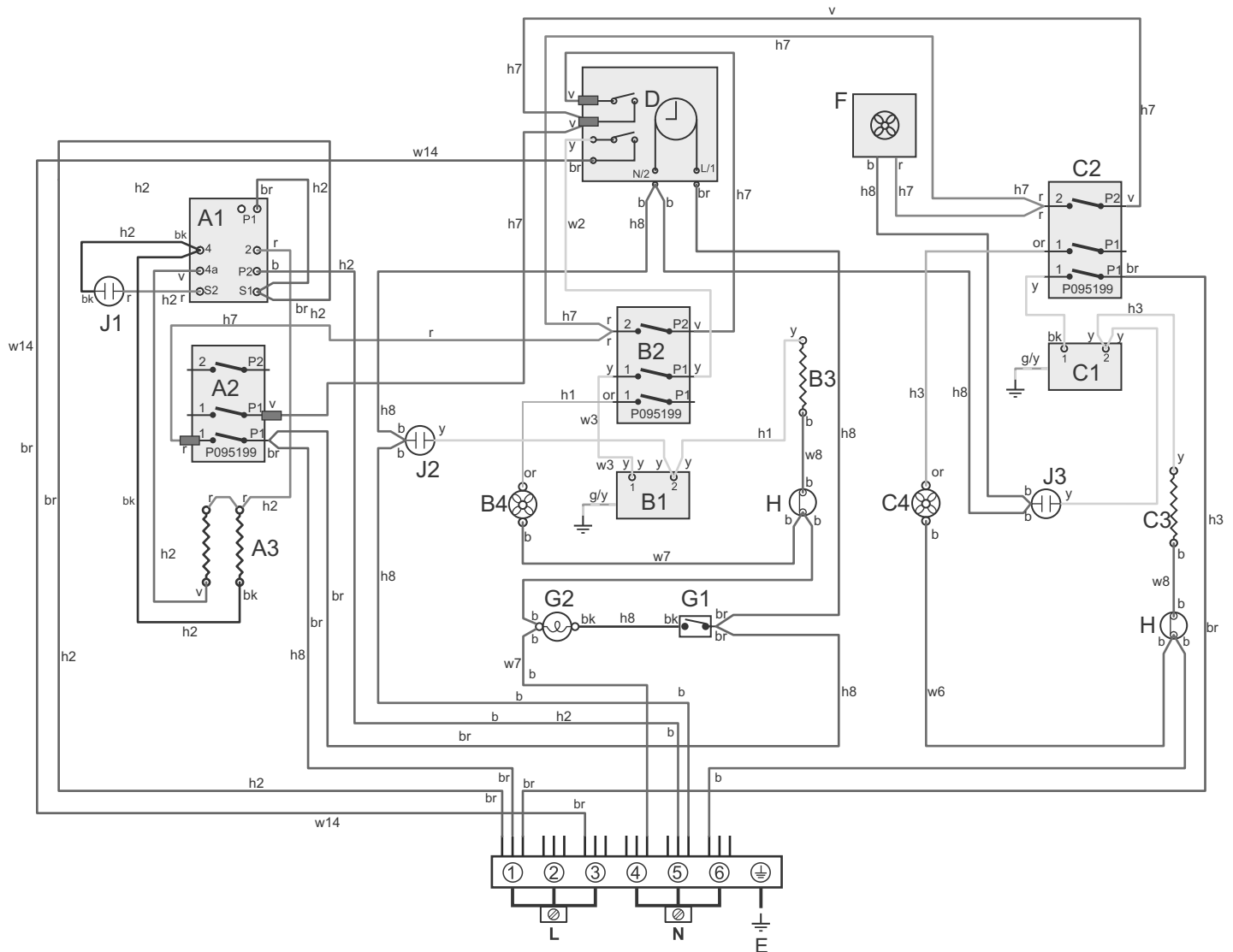


GRILL DOOR



Code	Description
A	Left-hand front control
B	Left-hand rear control
C	Centre right-hand rear control
D	Centre right-hand front control
F	Right-hand control
G	Hob neons

Code	Colour
b	Blue
br	Brown
bk	Black
r	Red
v	Violet
w	White
y	Yellow
g/y	Green/yellow
bk/w	Black/white



Classic / Kitchener / Professional Plus 90 & 100 Oven Circuit Diagram

Key
The connections shown in the circuit diagram are for single-phase. The ratings are for 230V 50Hz.

Code	Description
A1	Grill energy regulator
A2	Grill front switch
A3	Grill elements
B1	Left-hand zoned oven thermostat
B2	Left-hand oven thermostat front switch
B3	Left-hand oven element
B4	Left-hand oven fan
C1	Right-hand oven thermostat
C2	Right-hand oven thermostat front switch

Code	Description
C3	Right-hand oven element
C4	Right-hand oven fan
D	Clock
F	Cooling fan
G1	Oven light switch
G2	Oven light
H	Thermal cut-out
J1	Grill Neon
J2	Left-hand oven neon
J3	Right-hand oven neon

Code	Colour
b	Blue
br	Brown
bk	Black
or	Orange
r	Red
v	Violet
w	White
y	Yellow
g/y	Green/yellow
bk	Black