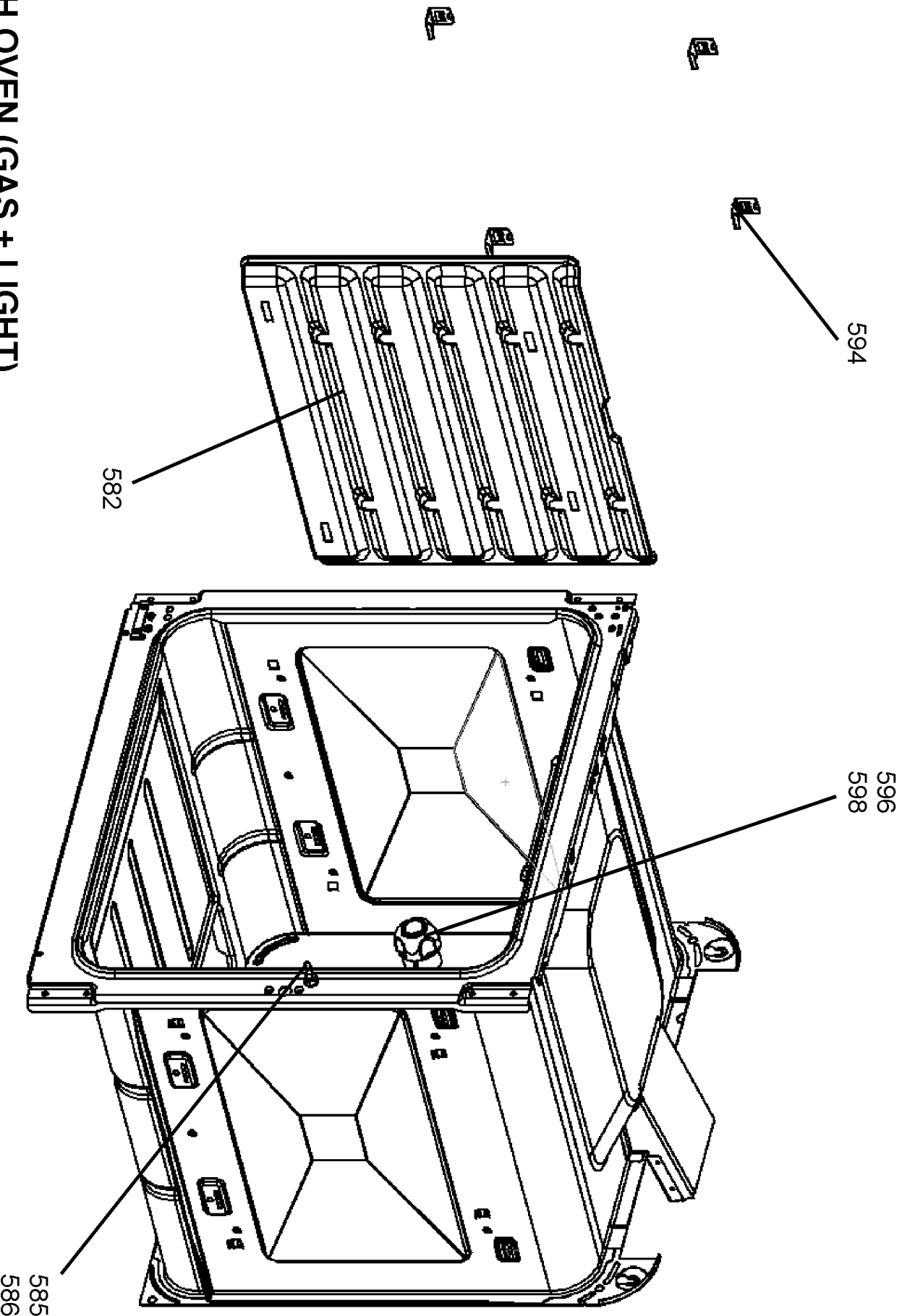


# FALCON CLASSIC 110 NG

**DSL0362 P05A**  
DATE 12.08.14 ISSUE STATUS 01

FROM SERIAL NUMBER 167000

LH OVEN (GAS + LIGHT)

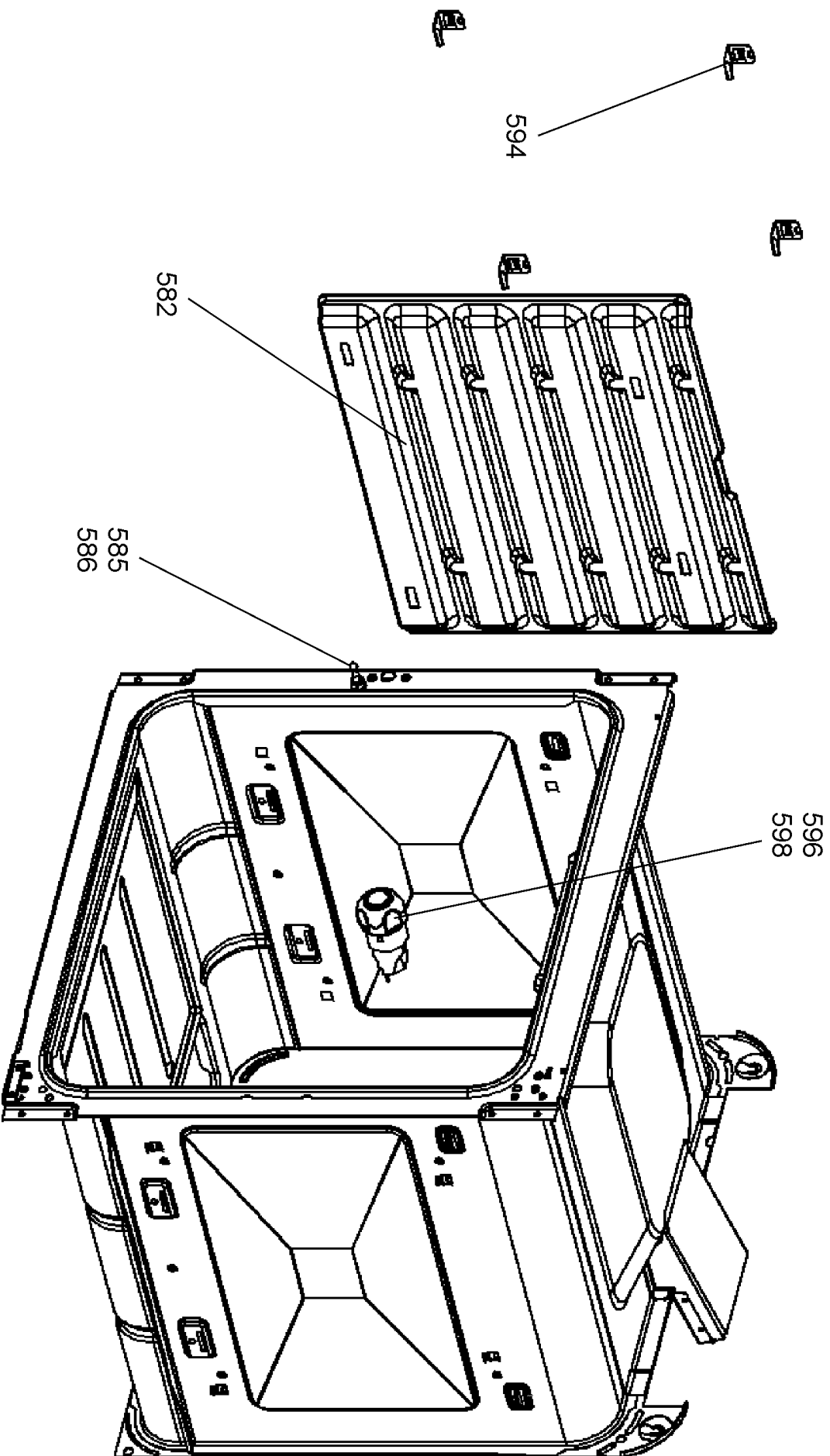




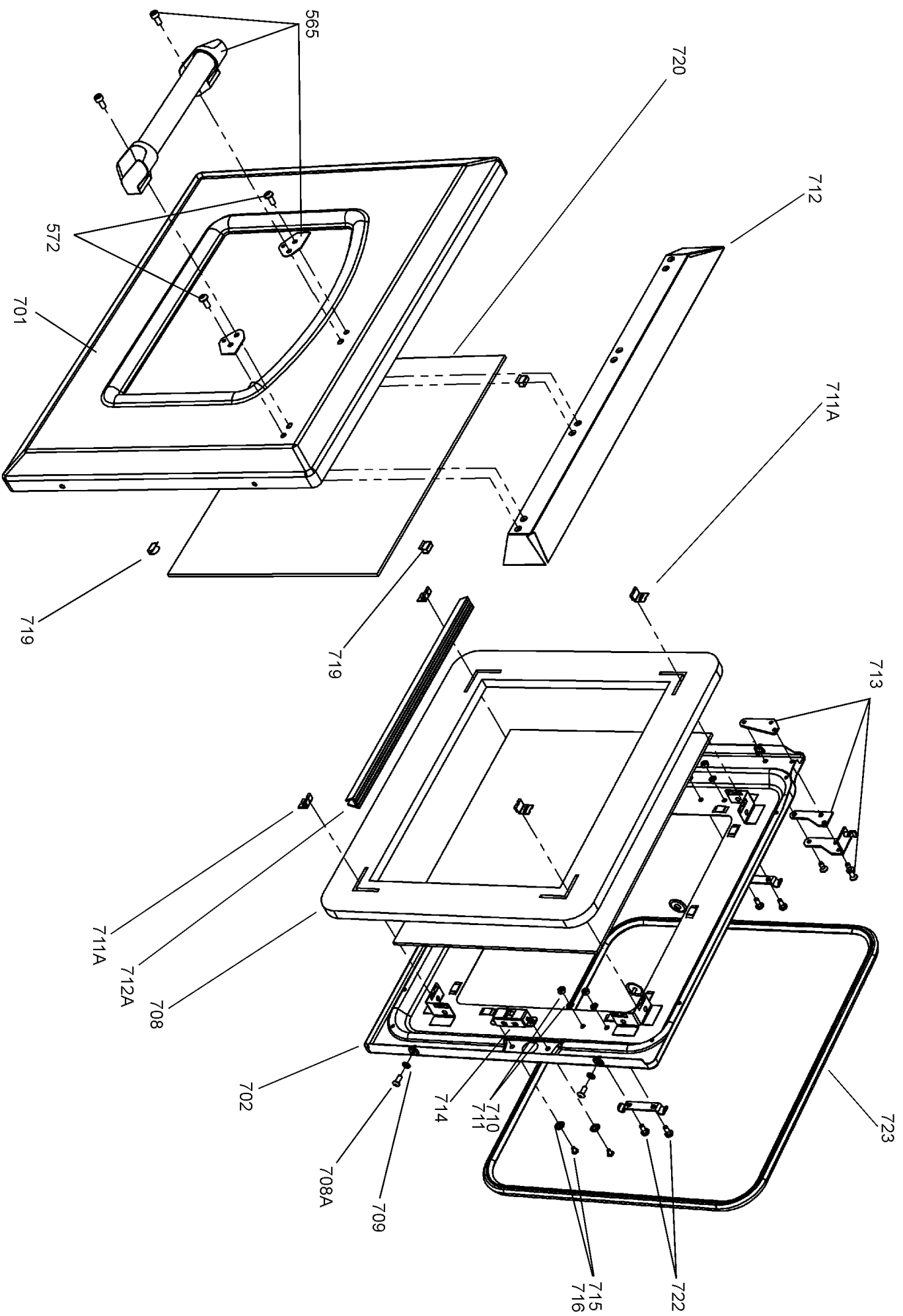
# FALCON CLASSIC 110 NG

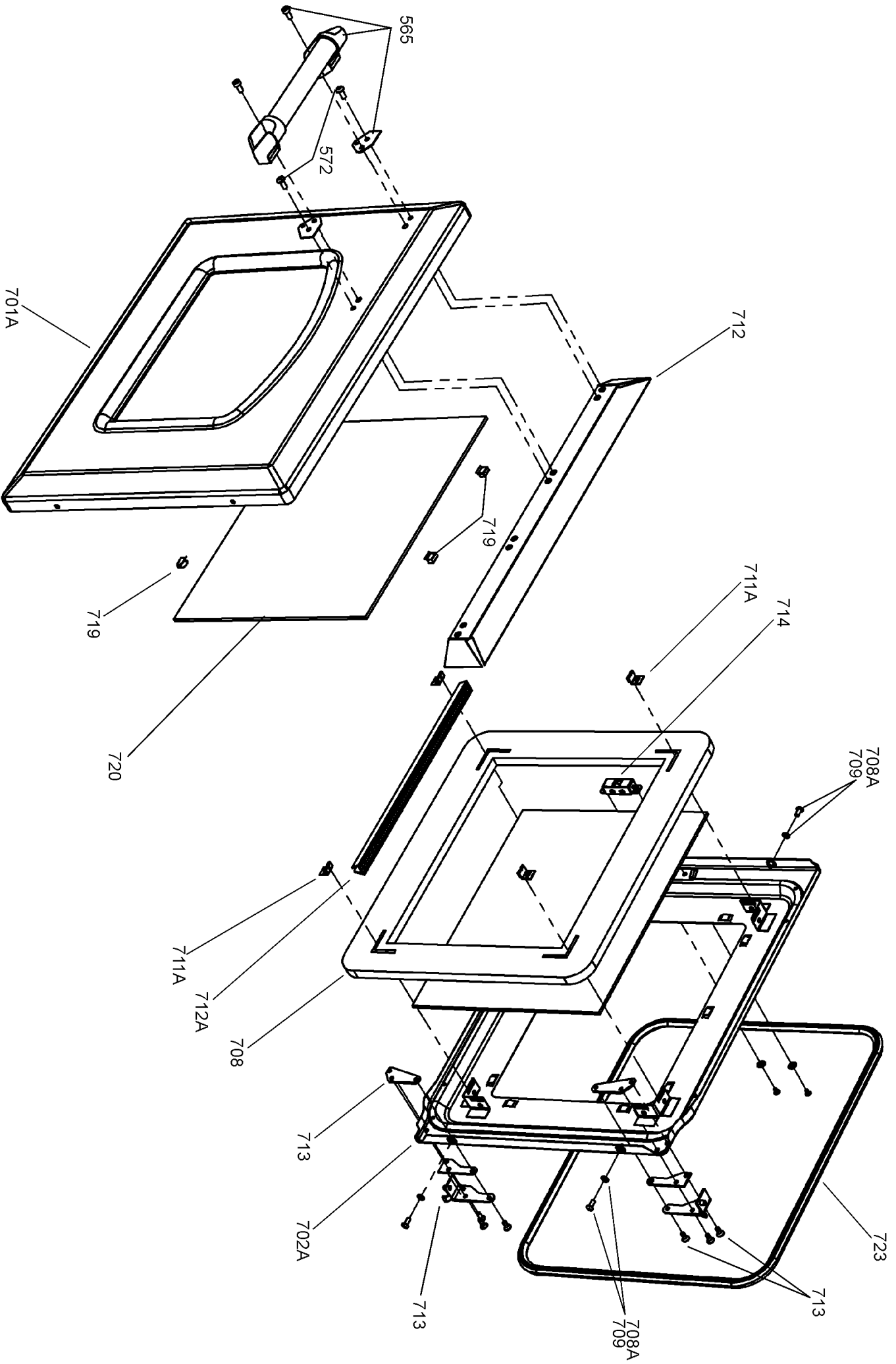
**DSL0362 P05B**  
DATE 12.08.14 ISSUE STATUS 01

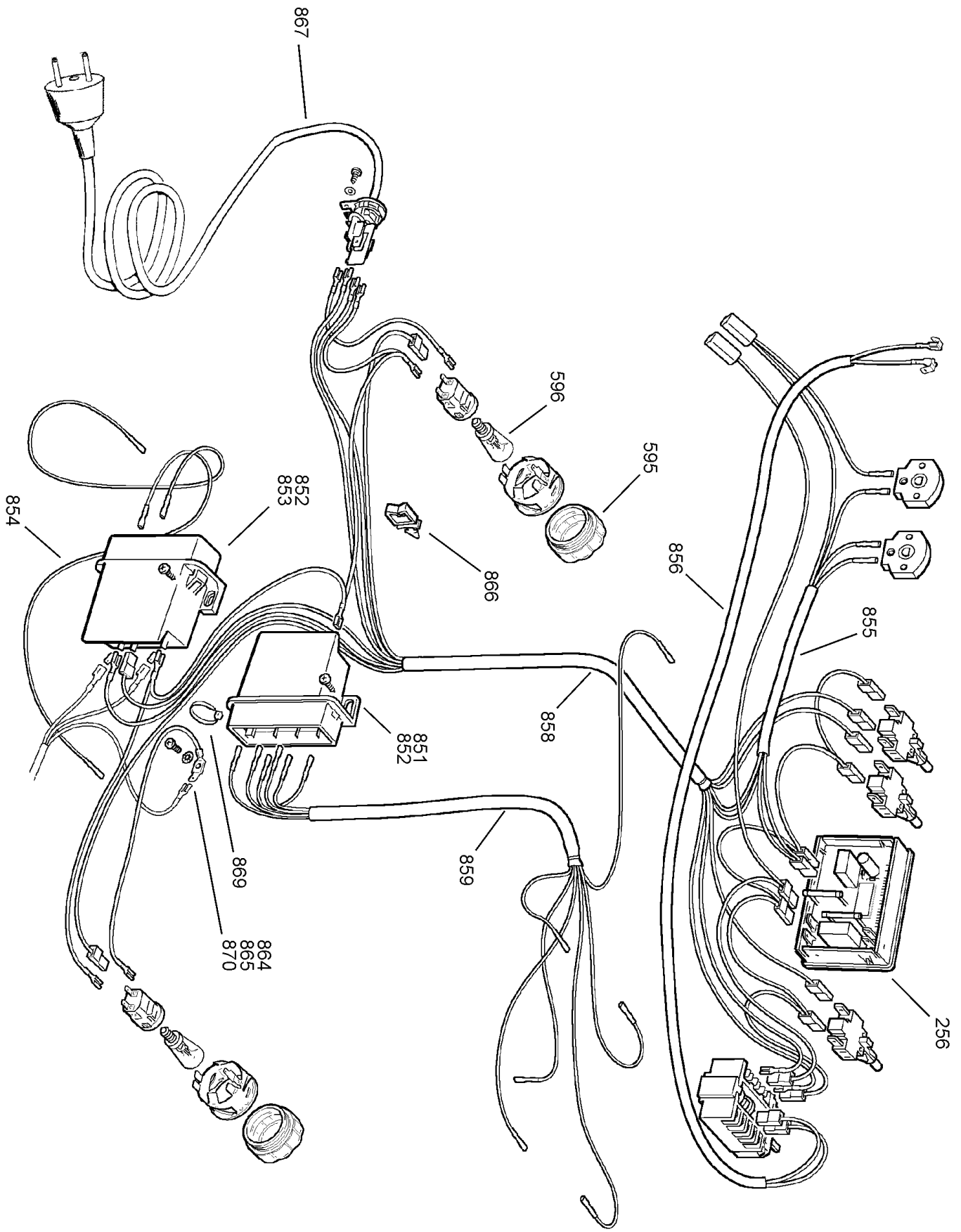
FROM SERIAL NUMBER 167000

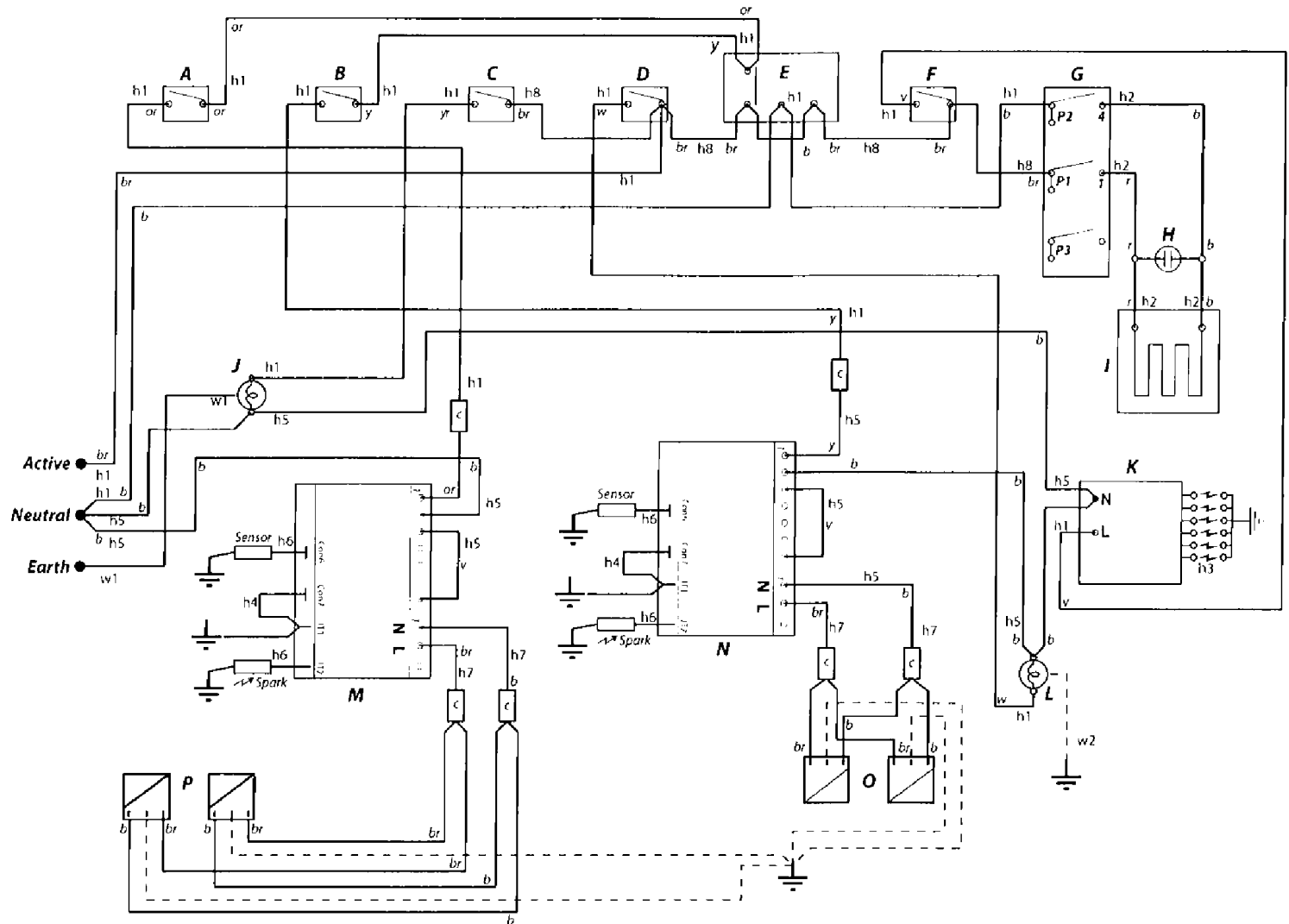


**RH OVEN (GAS + LIGHT)**









Key

Key	Description
A	Right-hand oven stat switch
B	Left-hand oven stat switch
C	Right-hand oven light switch
D	Left-hand oven light switch
E	Clock
F	Ignition switch
G	Warmer switch
H	Neon
I	Warmer
J	Right-hand oven light bulb
K	Spark generator
L	Light-hand oven light bulb
M	Flame safeguard unit
N	Flame safeguard unit
O	Solenoid assembly
P	Solenoid assembly

Key	Part number	Description	Quantity
h1	P033720	HARNES AUS ELECTRONIC FSD 110	1
h2	A094631	HARNES 'C' WARMING PLATE	1
h3	P027385	HT LEAD HARNESS	1
h4	P045152	EARTH HARNESS ASSY	1
w1	A024139	EARTH LINK	1
w2	P094943	WIRE ASSEMBLY	1
h5	P045151	NEUTRAL LINKS/CONNECTOR ASSY	1
h6	P033723	ELECTRODE & SENSOR WIRE ASSEMBLY	2
h7	P045153	SOLENIOD HARNESS ASSY	2
h8	A027252	FACIA LIVE LINK WIRE ASSEMBLY	1

Code	Colour
b	Blue
br	Brown
bk	Black
or	Orange
r	Red
v	Violet
w	White
y	Yellow
g/y	Green/Yellow
gr	Grey

