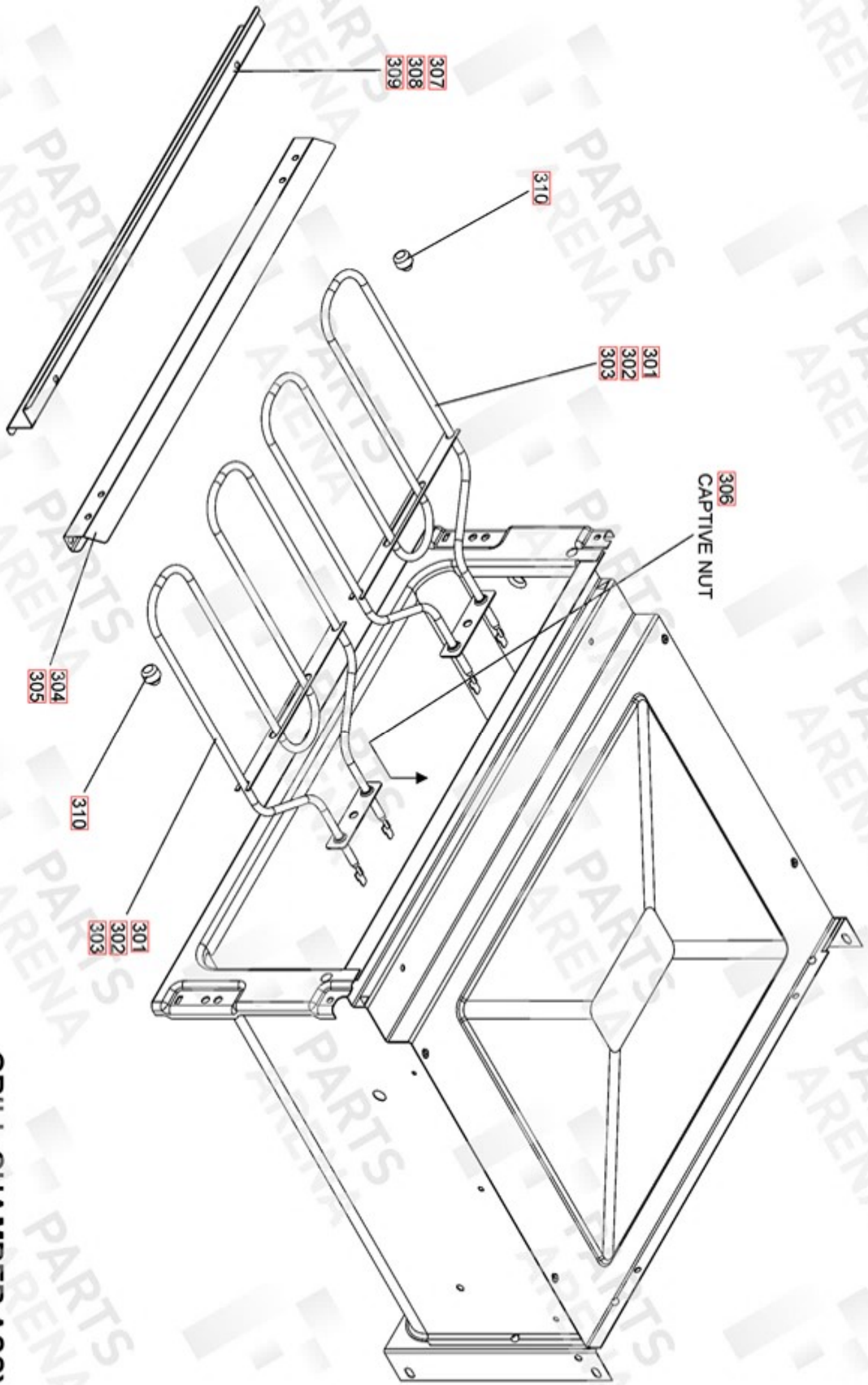
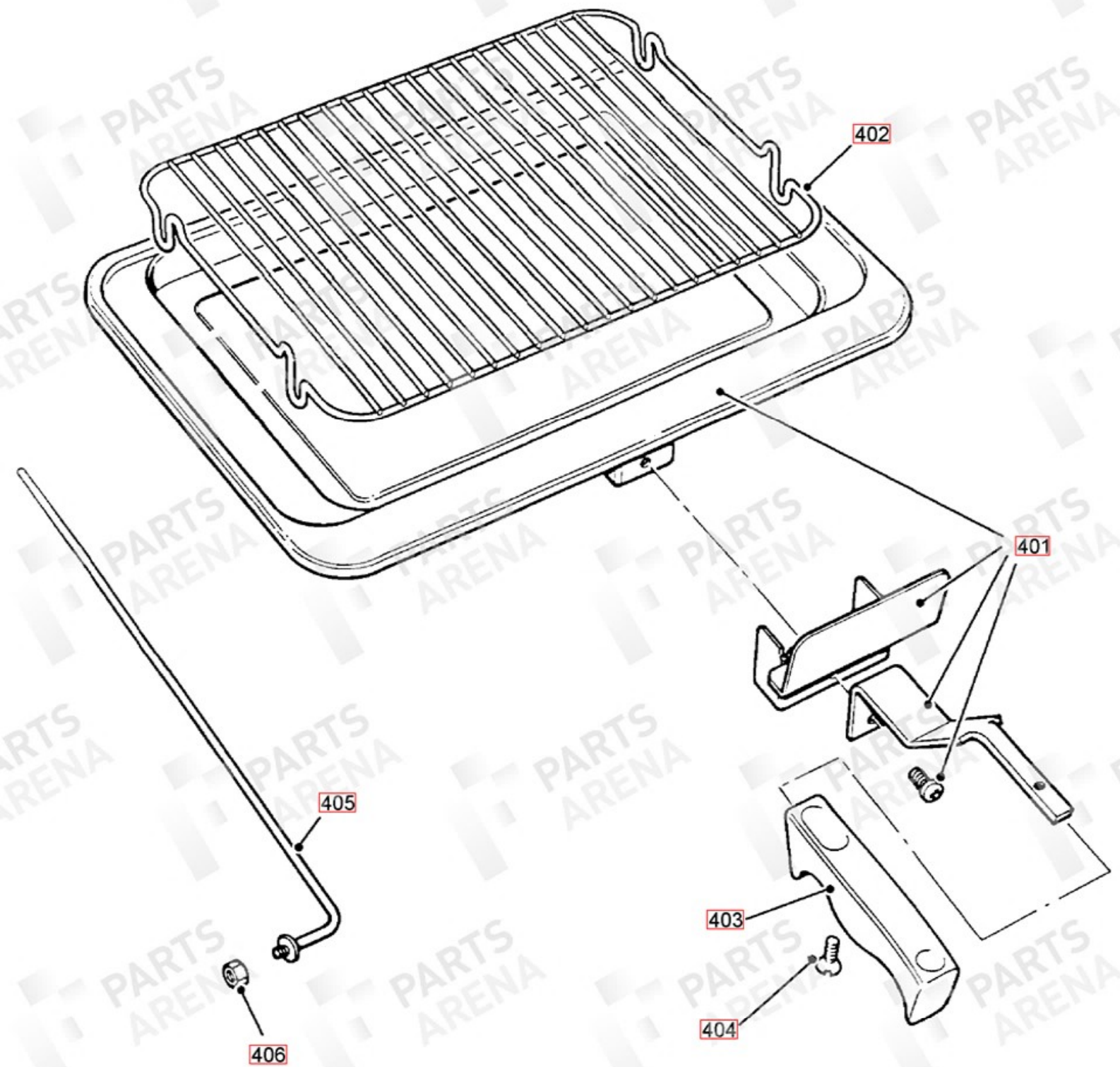


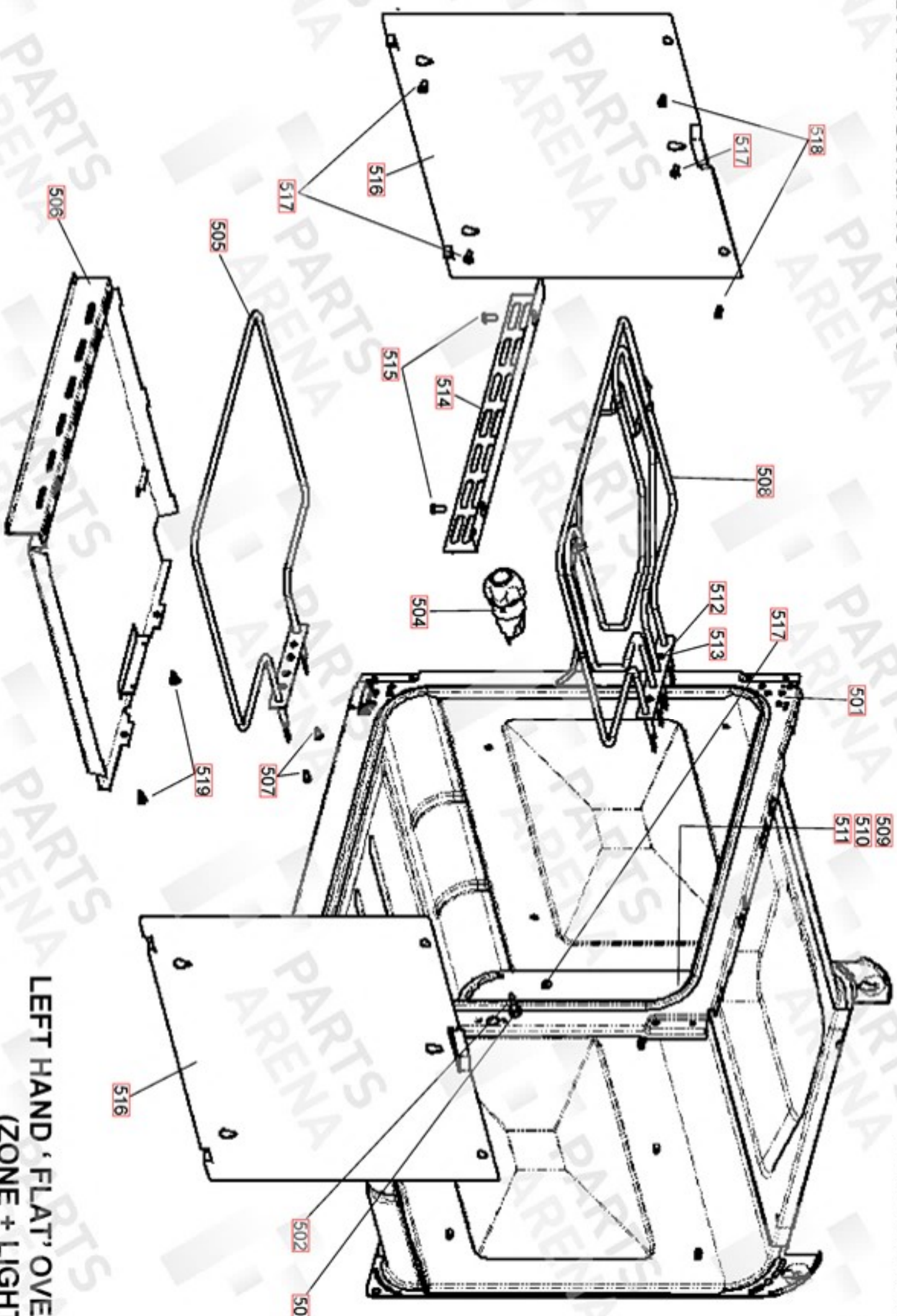
FACIA ASSEMBLY



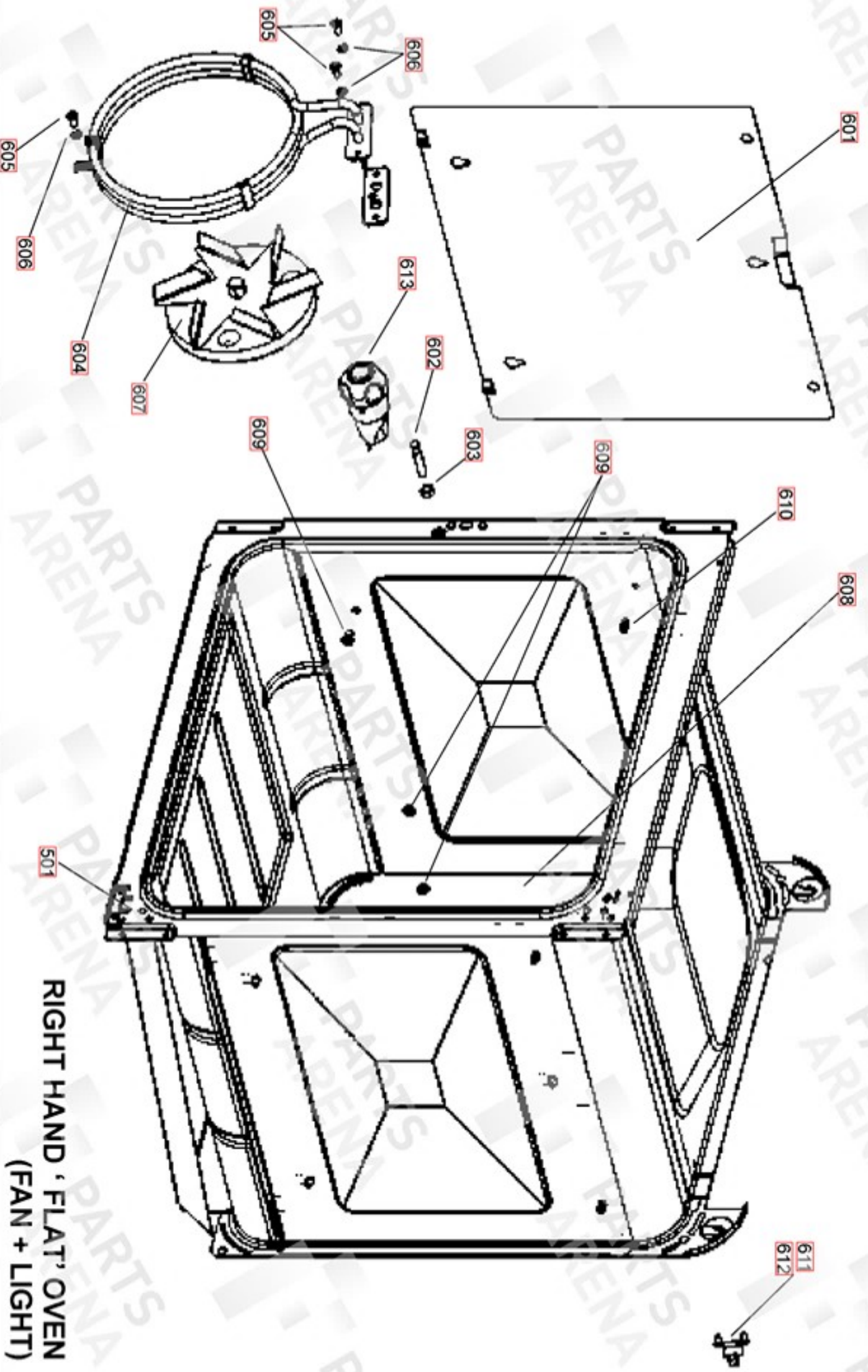
GRILL CHAMBER ASSY



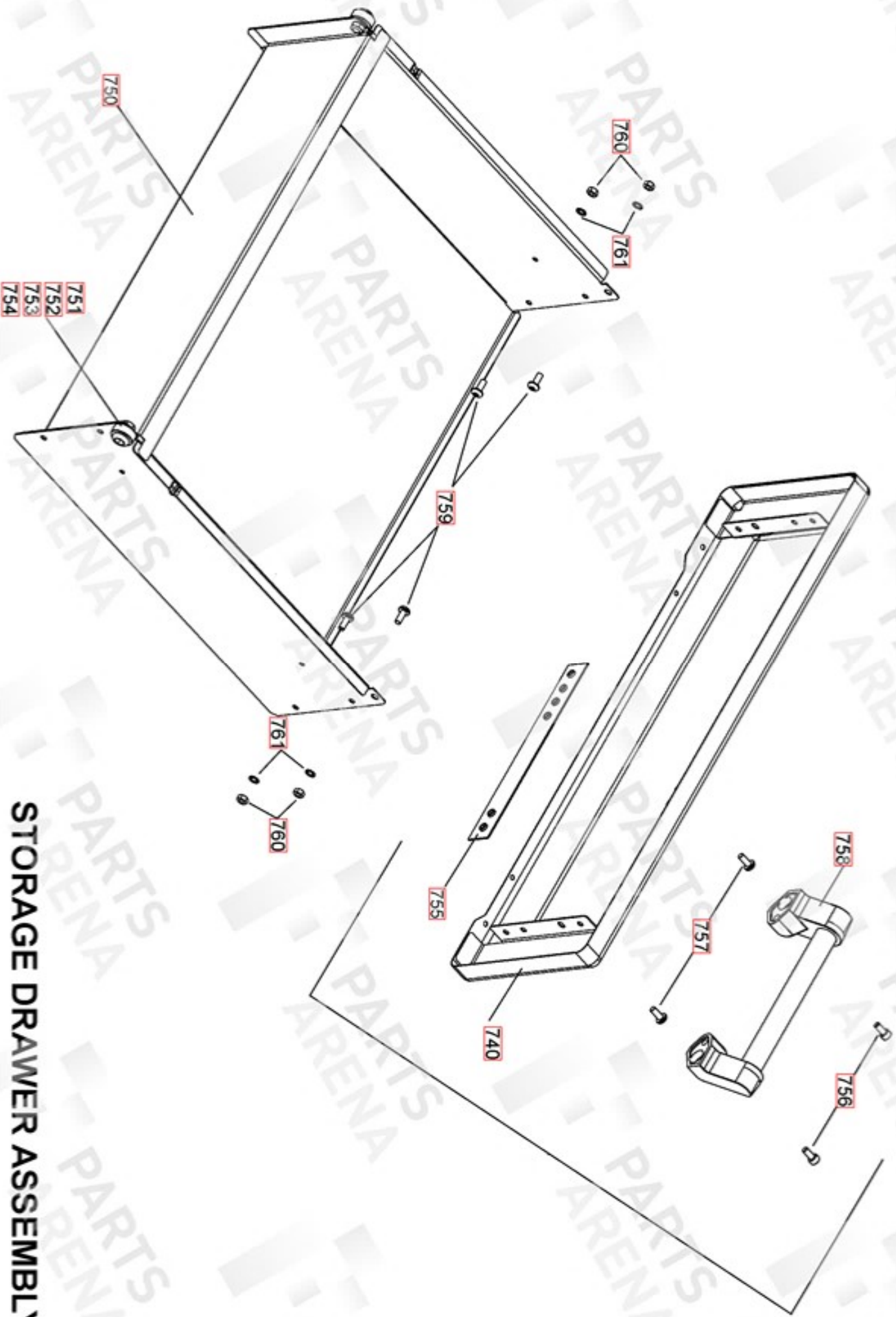
GRILL PAN AND RUNNERS ASSEMBLY



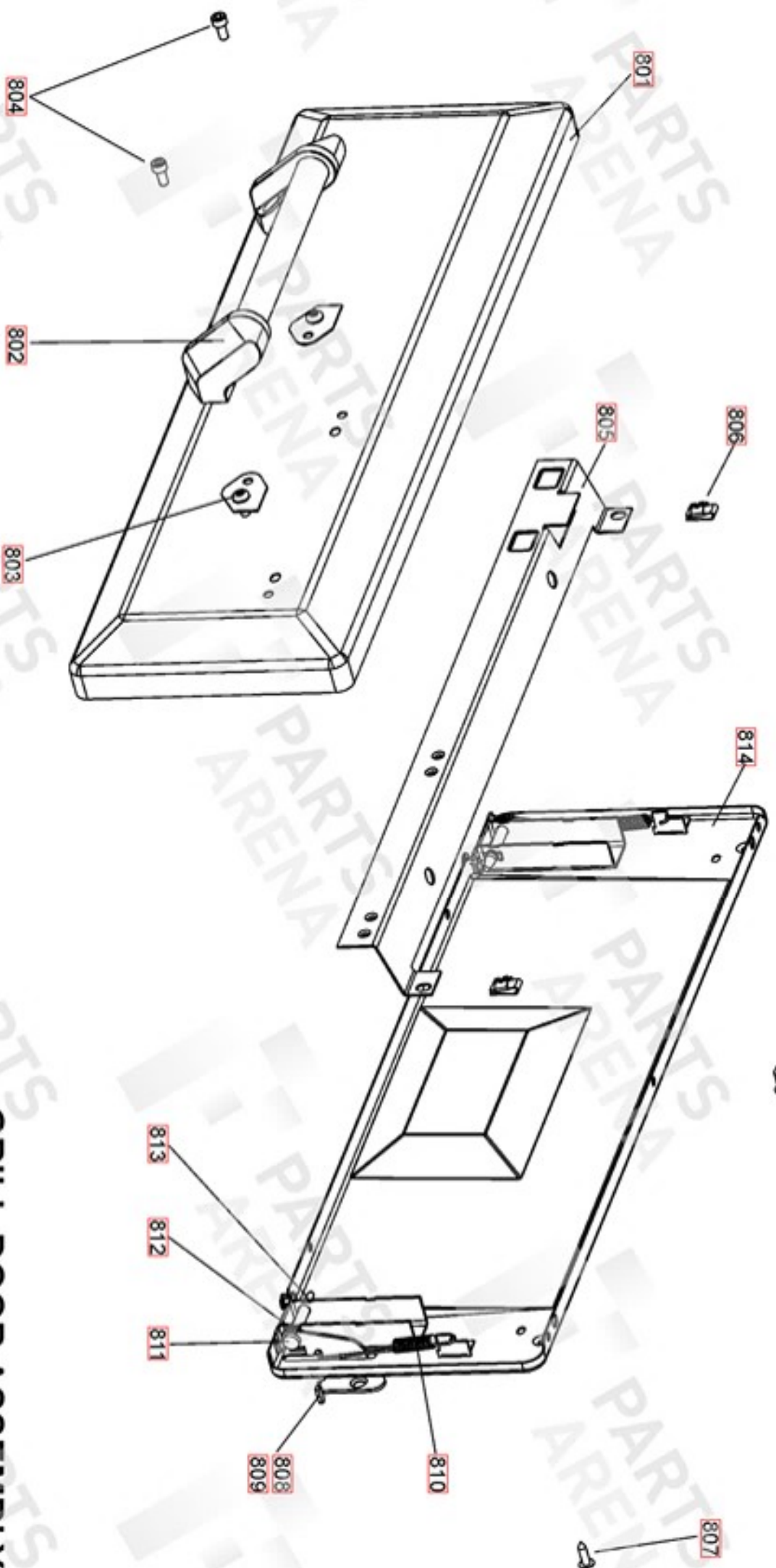
LEFT HAND 'FLAT' OVEN
(ZONE + LIGHT)



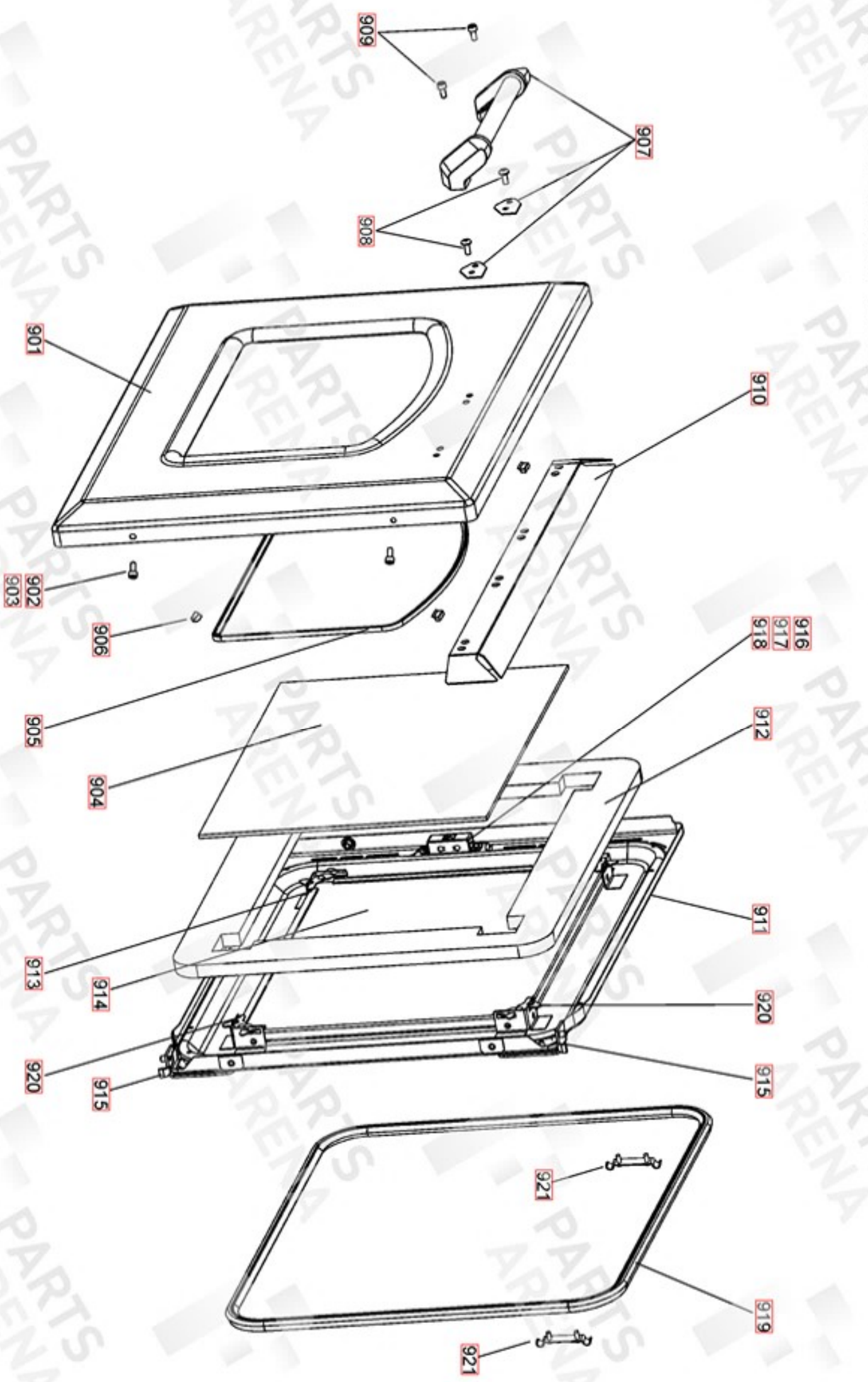
RIGHT HAND 'FLAT' OVEN
(FAN + LIGHT)



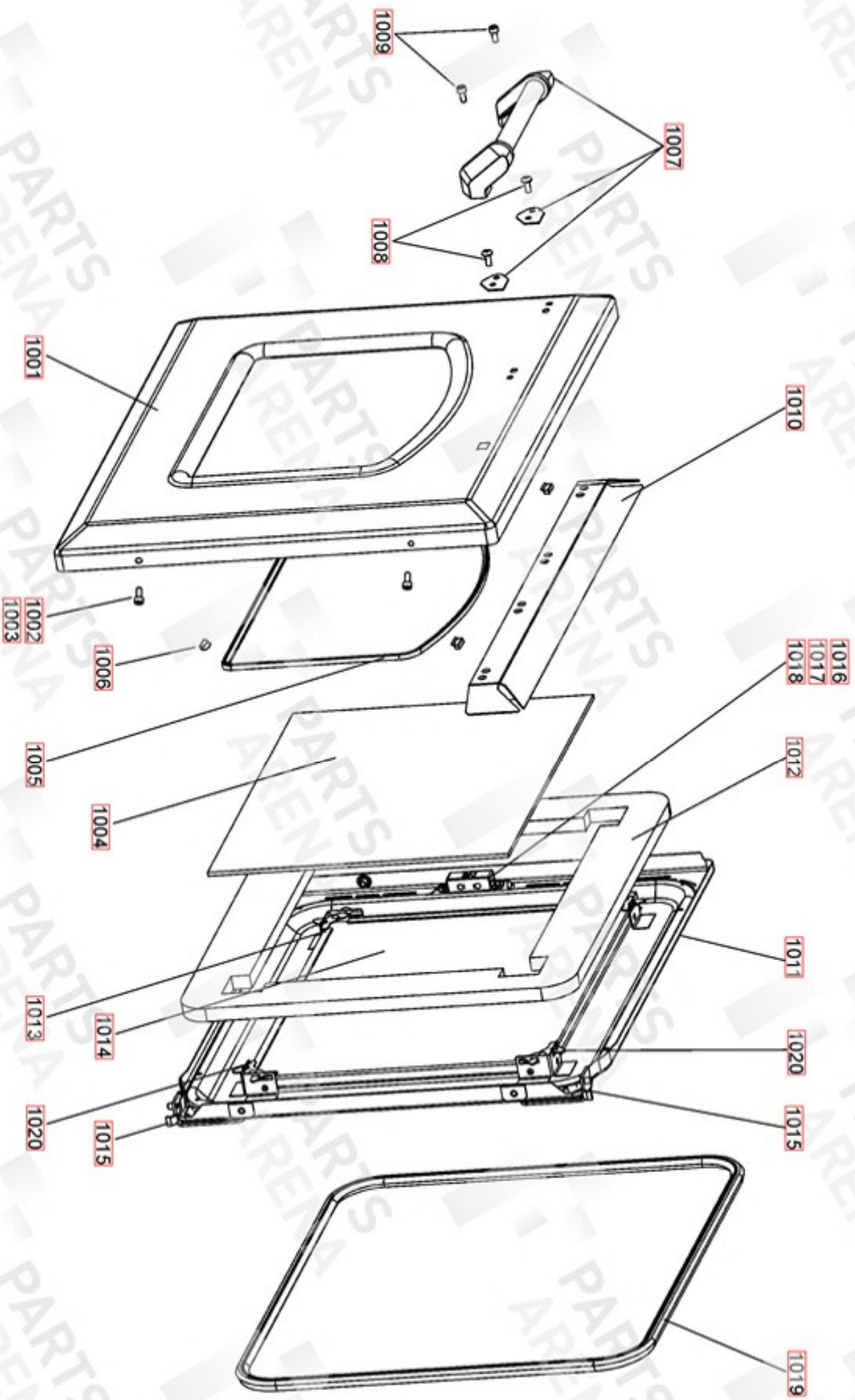
STORAGE DRAWER ASSEMBLY



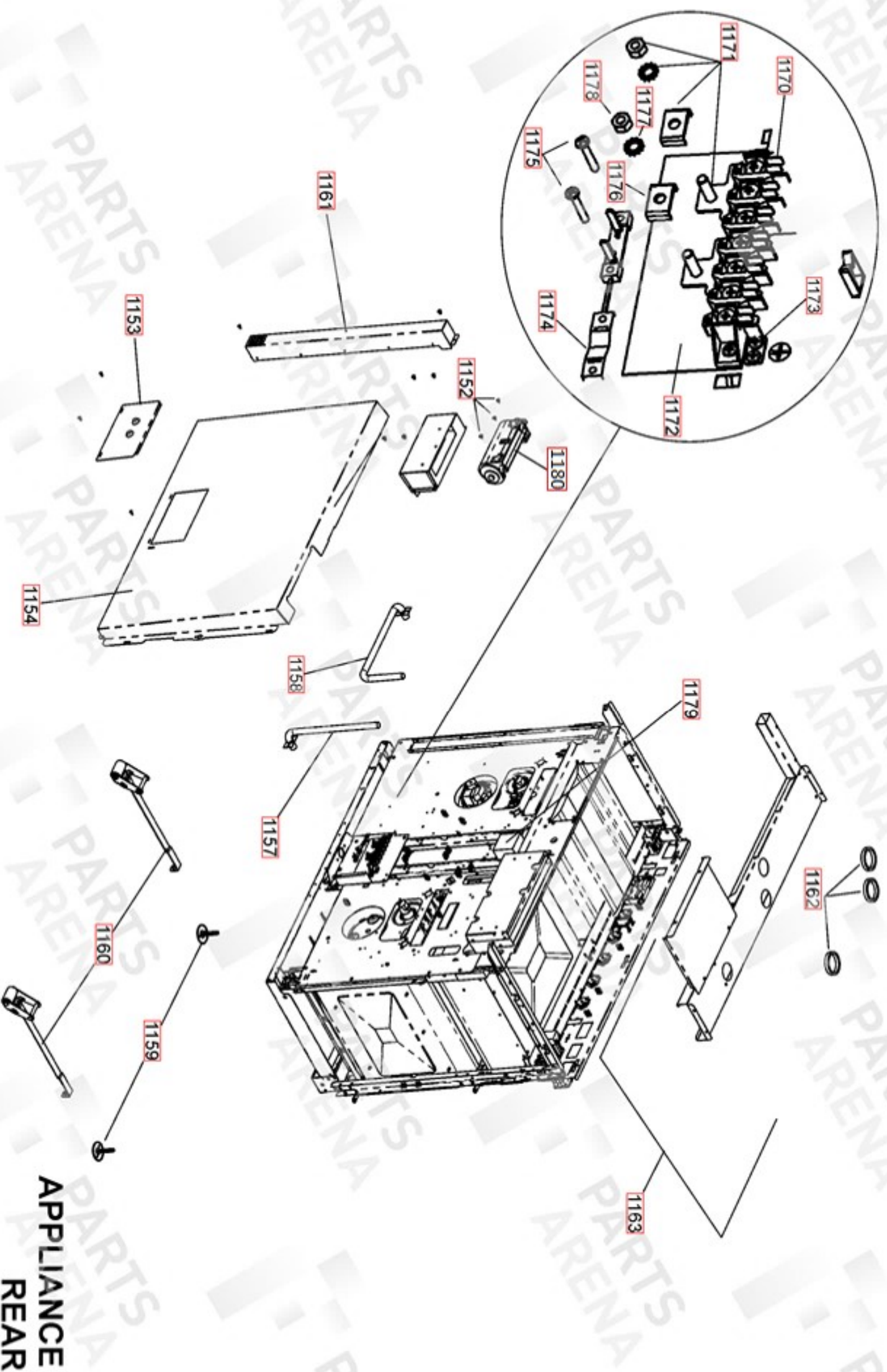
GRILL DOOR ASSEMBLY



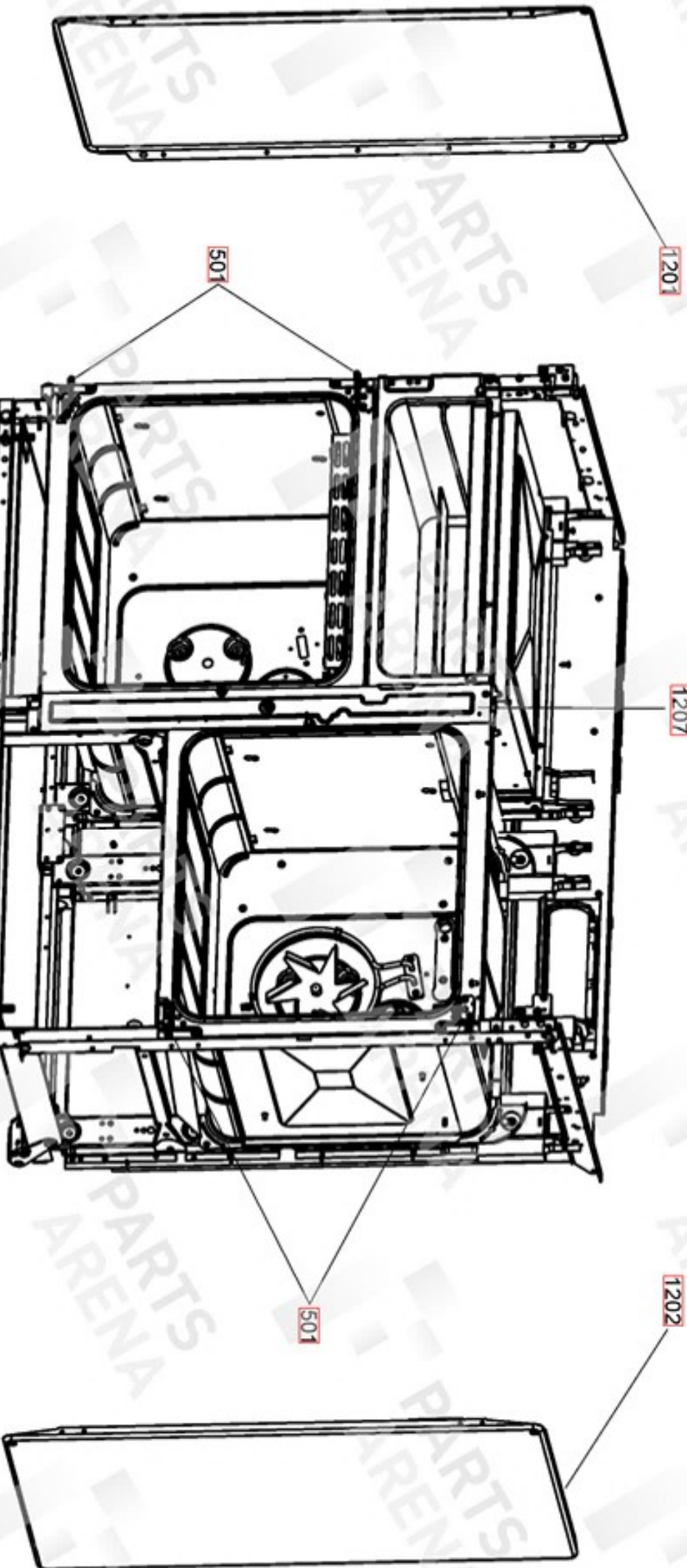
LEFT HAND OVEN DOOR

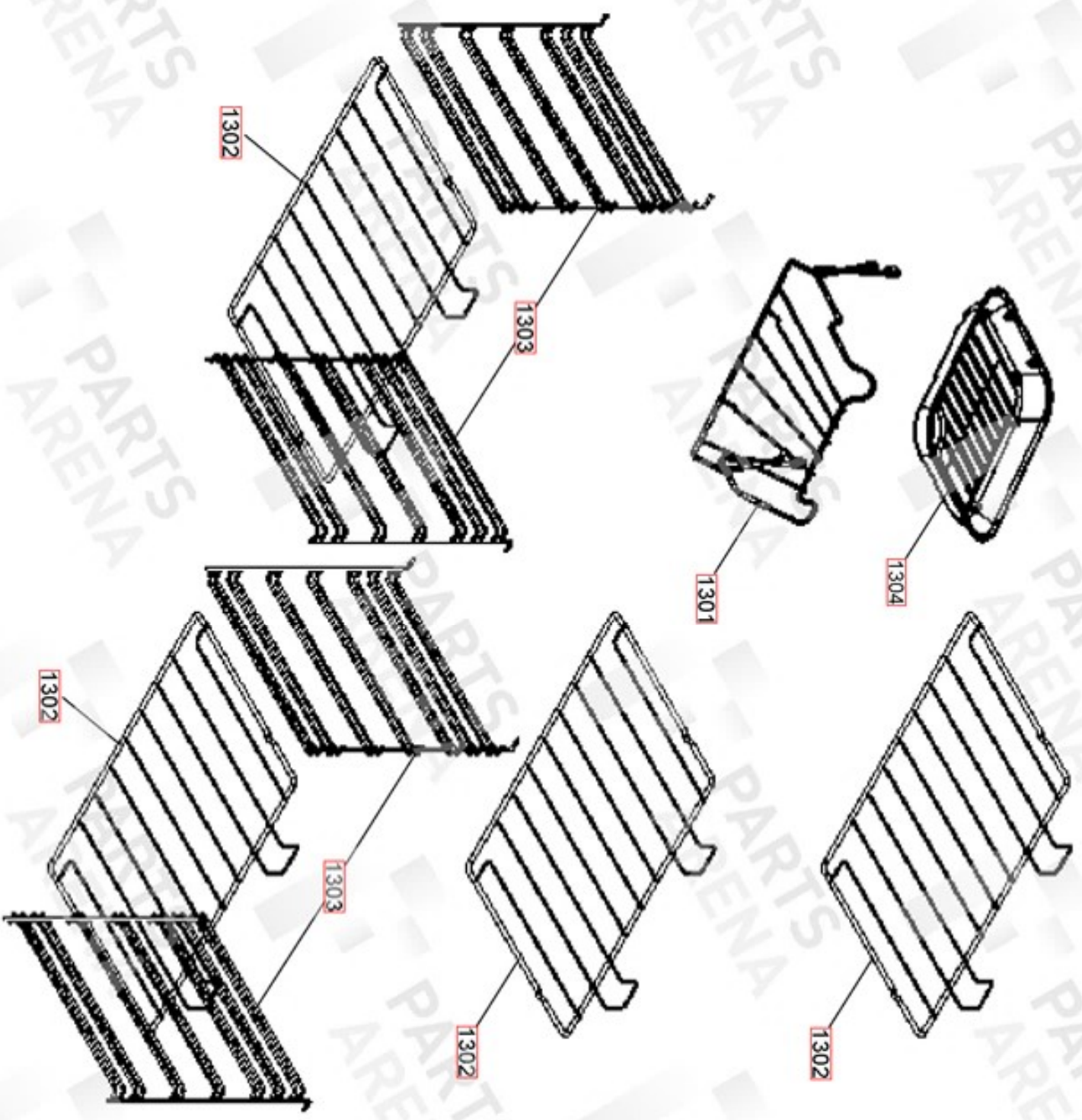


RIGHT HAND OVEN DOOR

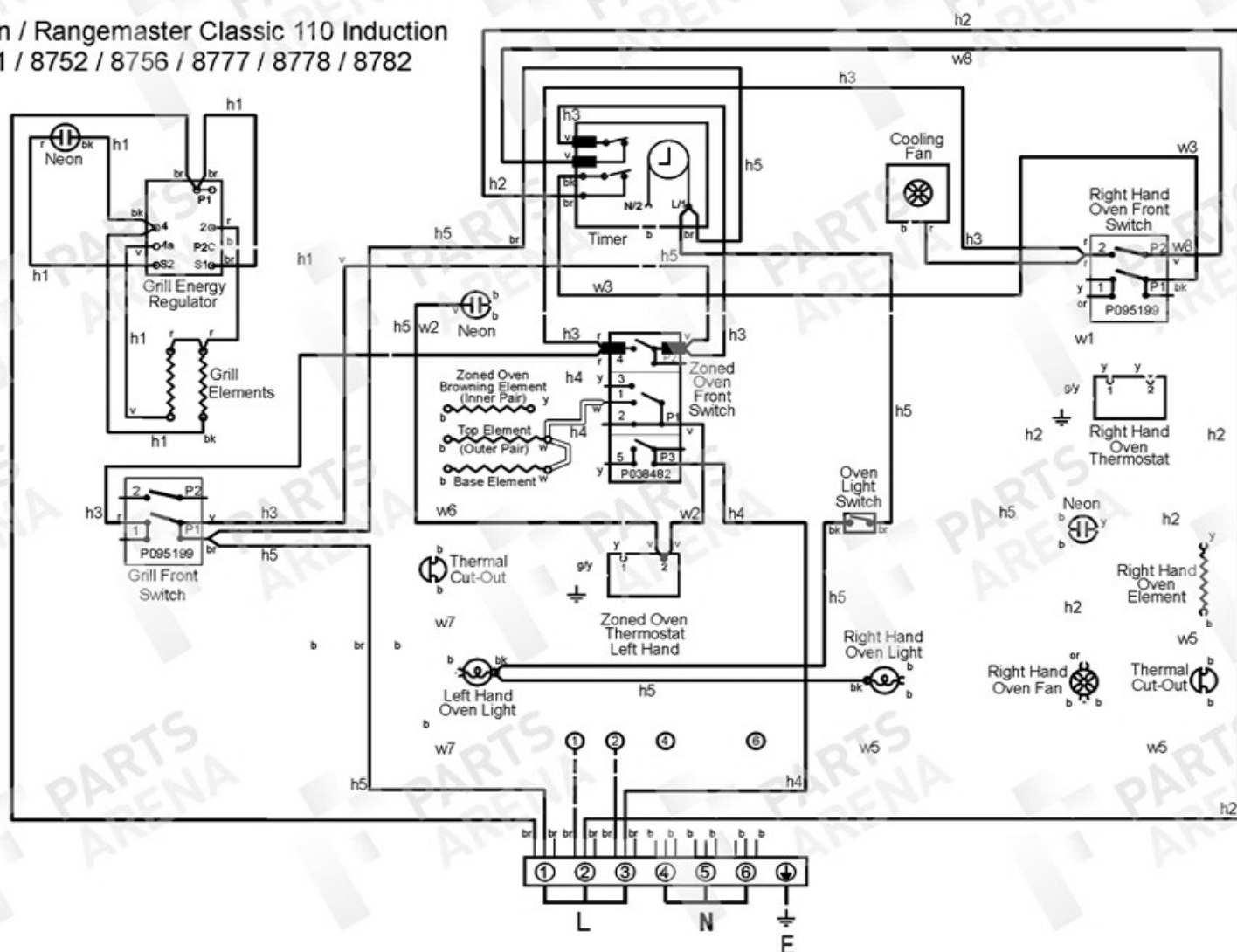


APPLIANCE
REAR





Falcon / Rangemaster Classic 110 Induction
8751 / 8752 / 8756 / 8777 / 8778 / 8782



The connections shown in the circuit diagram are for single-phase. The ratings are for 230V 50Hz.

Code	Description	Quantity	Part Number
w1	Wire assembly - yellow link	2	P037863
w2	Wire assembly - left hand oven neon link	1	P064457
w3	Wire assembly - black wire - rh oven switch timer	1	P049233
w4	Wire assembly	1	P040066
w5	Wire assembly	1	P025995
w6	Wire assembly	1	P040694
w7	Wire assembly	1	P043965
w8	Wire assembly	1	P045407
h1	Harness - grill	1	P064445
h2	Harness - fanned oven	1	P064454
h3	Harness - cooling / zoned	1	P066163
h4	Harness - left hand zoned oven	1	P064451
h5	Harness - auxiliary	1	P065632

Code	Colour
b	Blue
br	Brown
bk	Black
or	Orange
r	Red
v	Violet
w	White
y	Yellow
g/y	Green/yellow