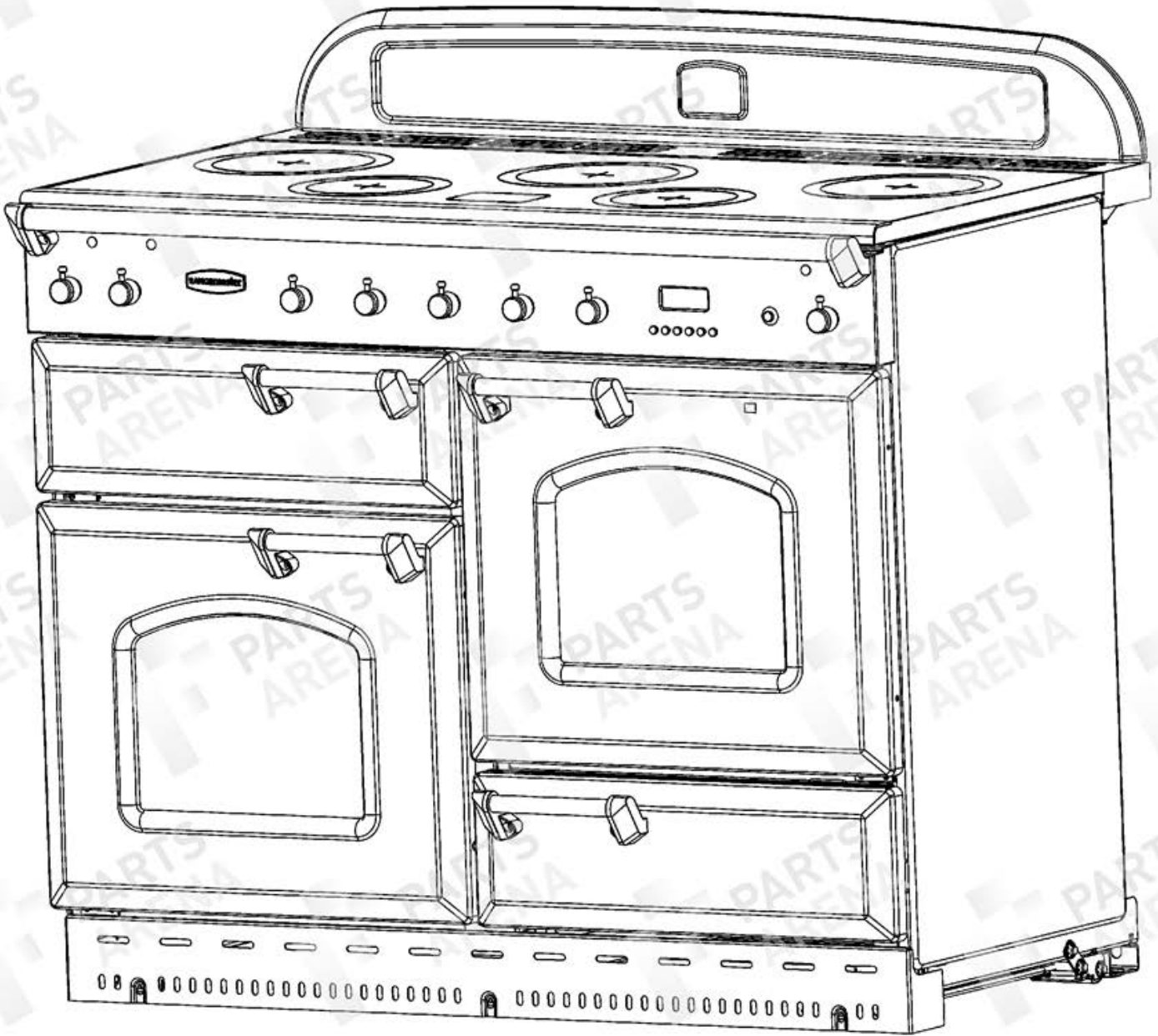


APPLIANCE NAME:  
CLASSIC 110 INDUCTION

DATE 13.10.08

**DSL0398 P00**  
ISSUE STATUS 01



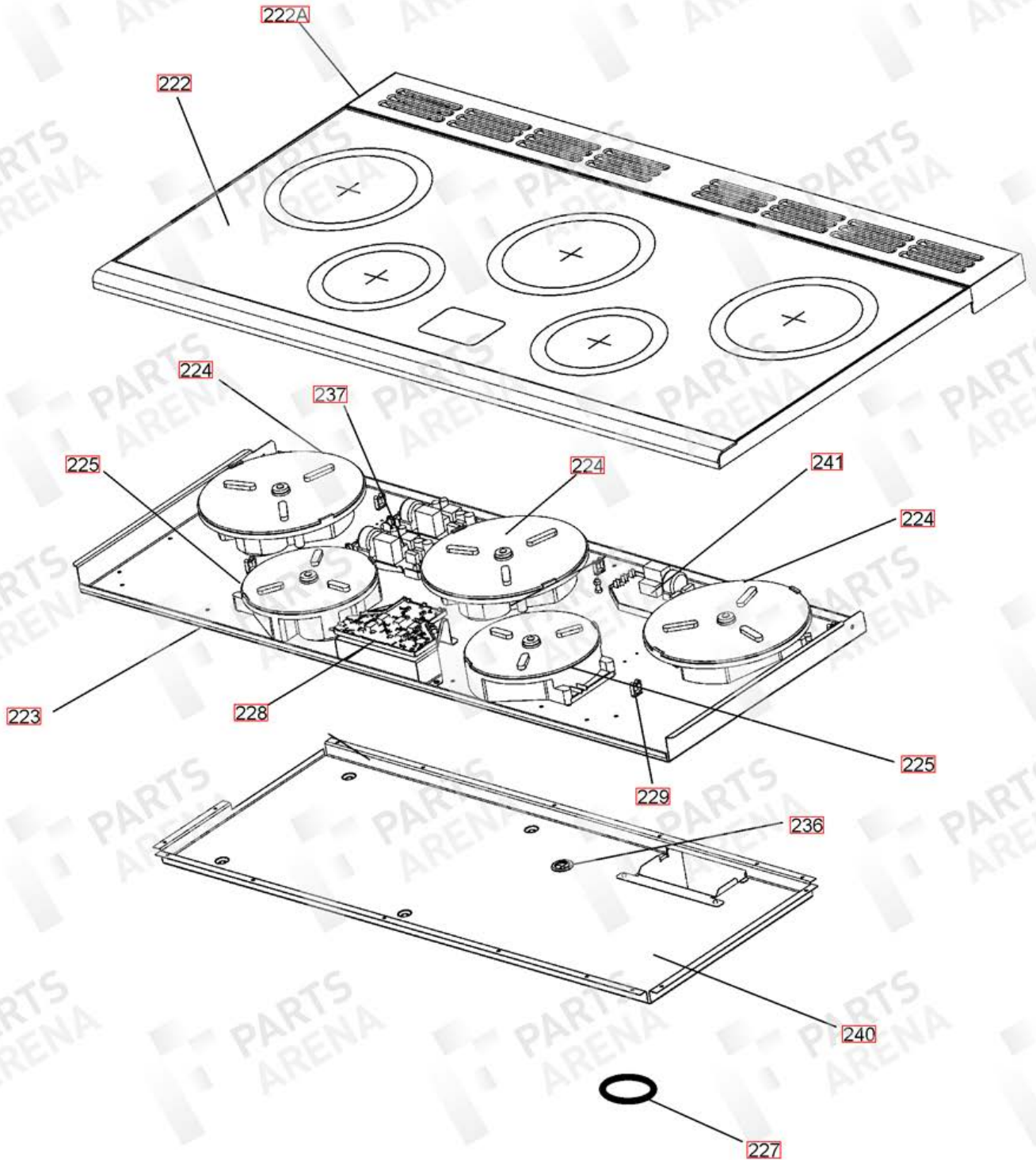
# CLASSIC 110 INDUCTION

UP TO SERIAL NUMBER 149999

DATE 25.02.15

DSL0398 P01

ISSUE STATUS 03



# CLASSIC 110 INDUCTION

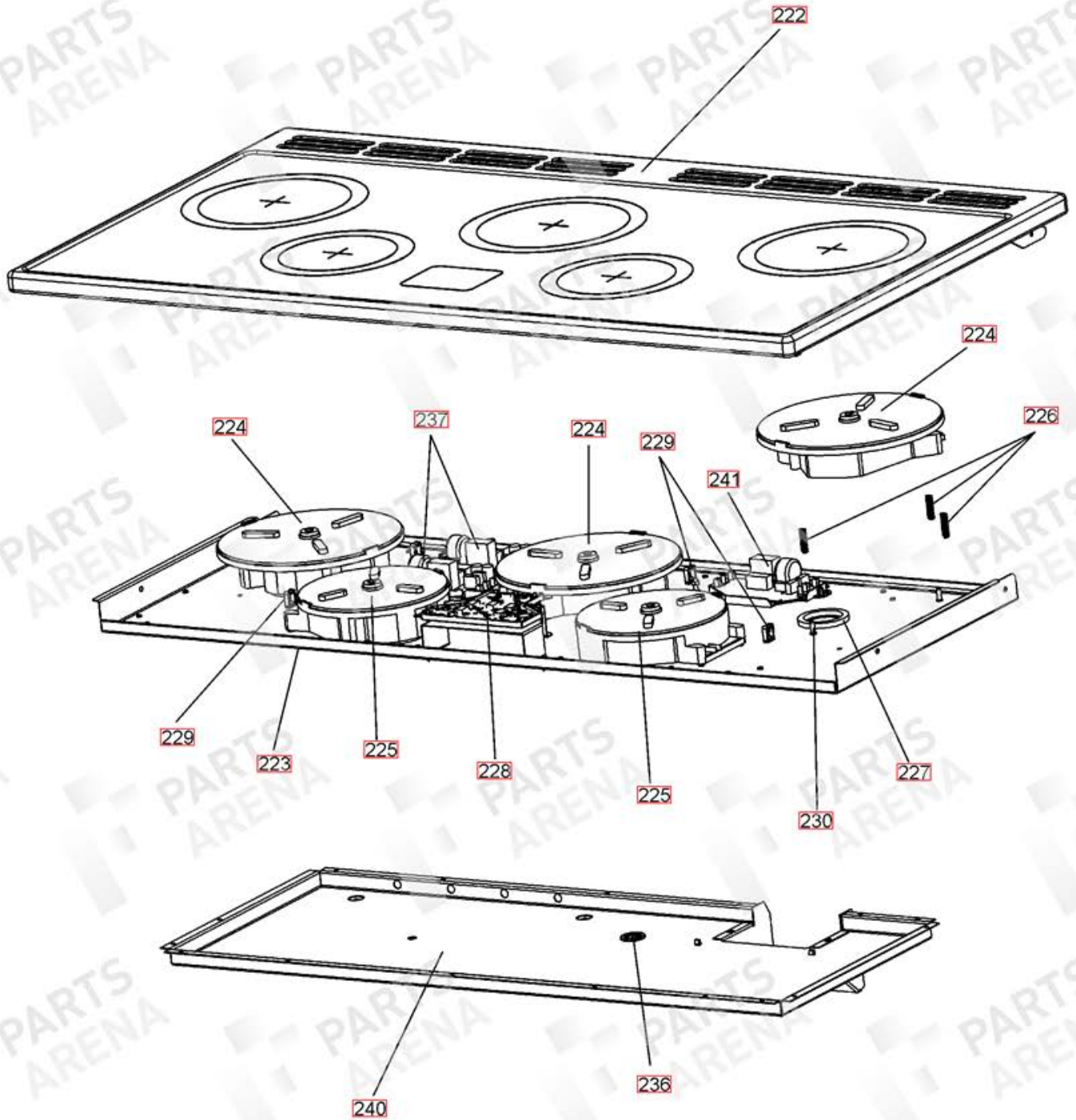
DATE 15.01.13

DSL0398 P01A

FROM SERIAL NUMBER 150000  
UP TO SERIAL NUMBER 157999

ISSUE STATUS 03

UK, EU & AUSTRALIA





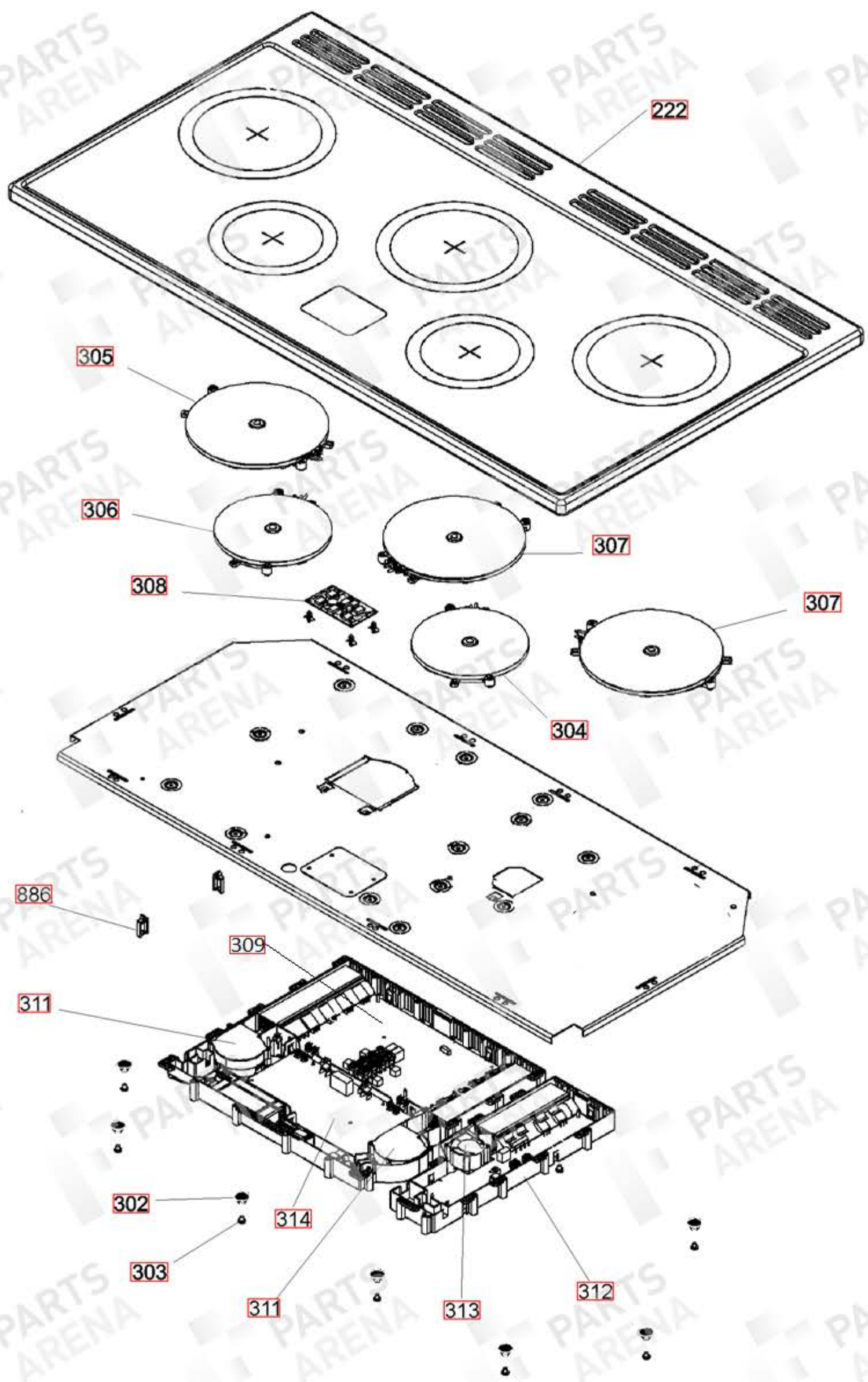
# CLASSIC 110 INDUCTION (G5)

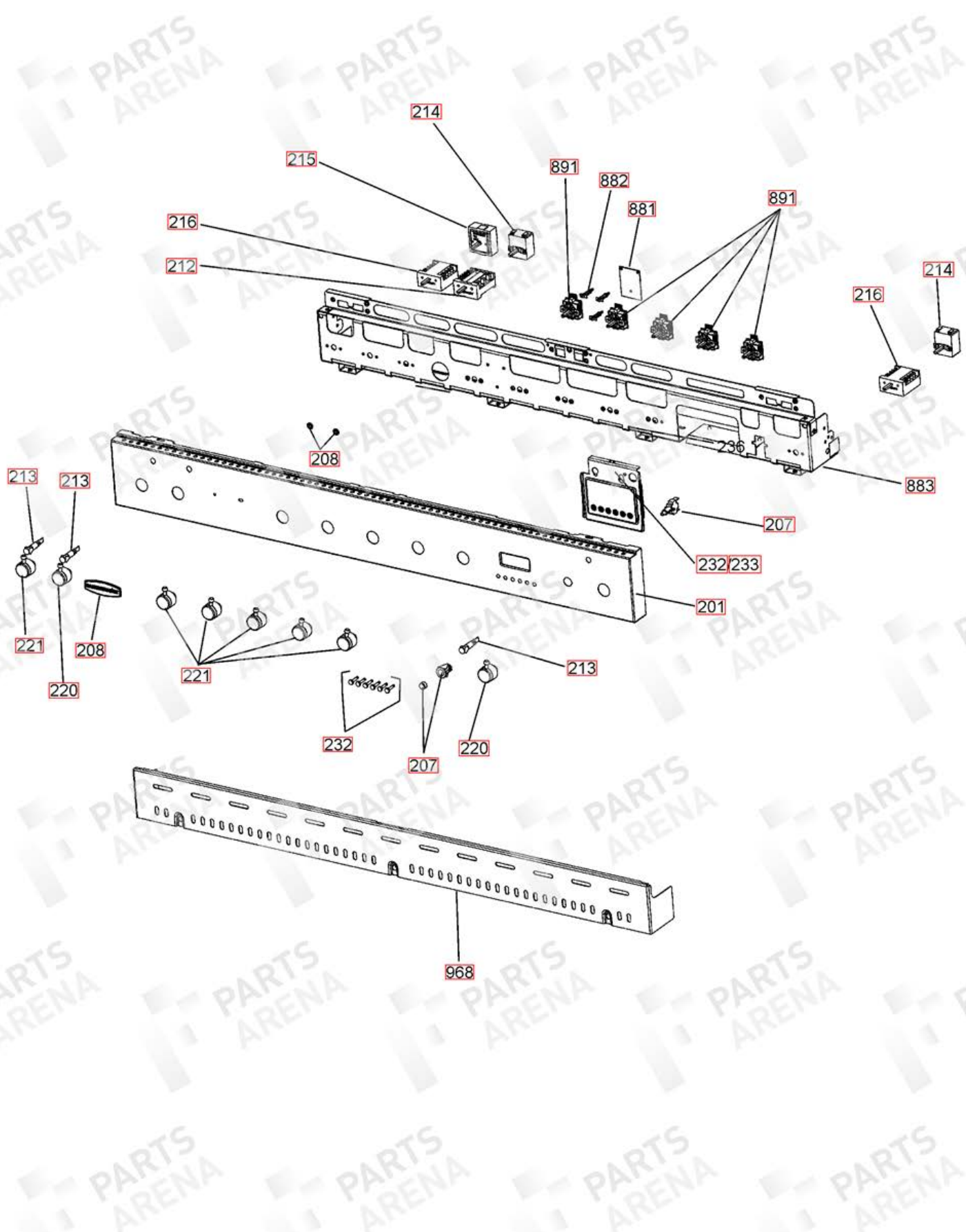
DATE 25.02.15

DSL0398 P01B

ISSUE STATUS 02

FROM SERIAL NUMBER 158000  
UK & EU MODELS ONLY







# CLASSIC 110 INDUCTION

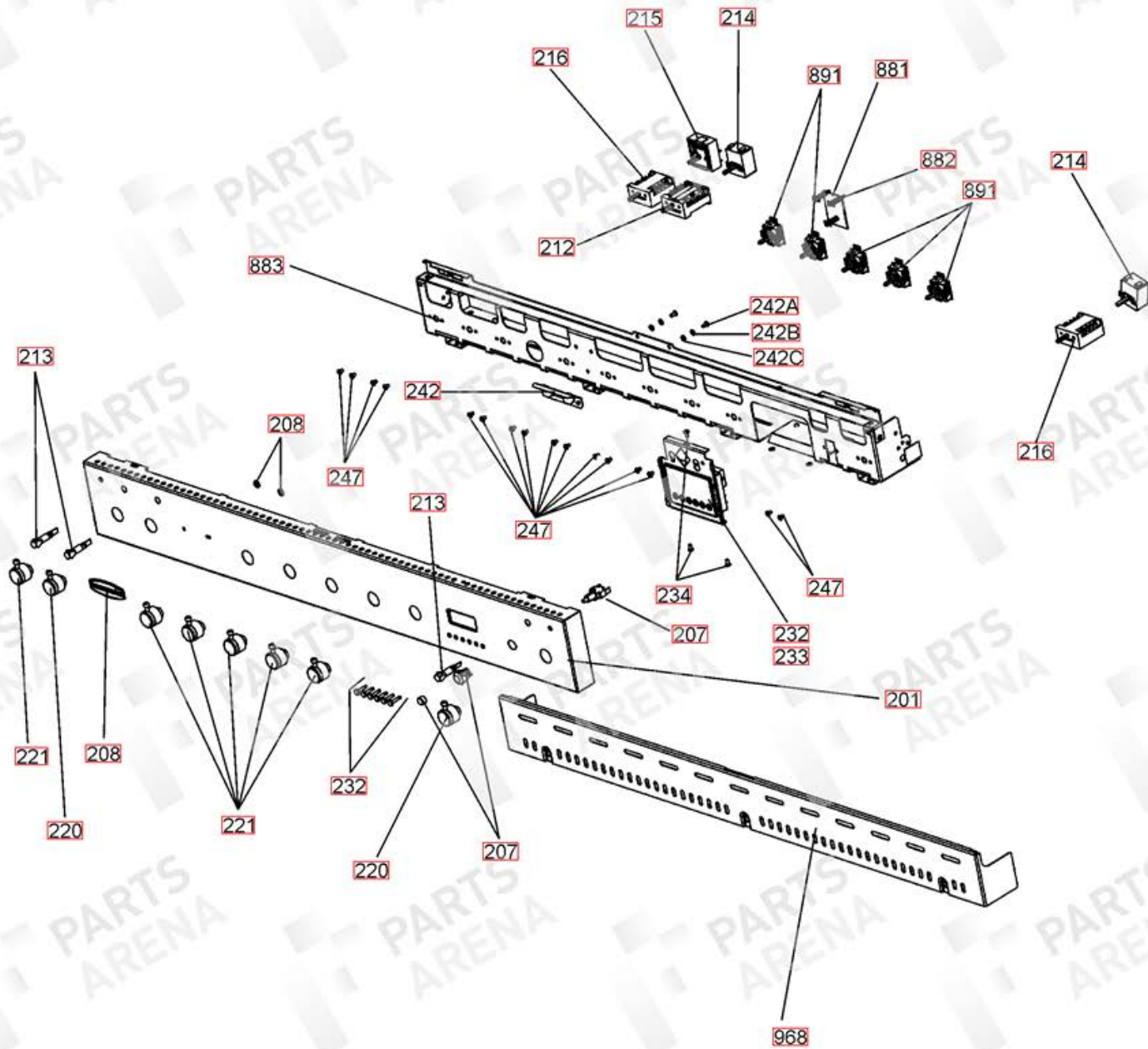
FROM SERIAL NUMBER 150000  
UP TO SERIAL NUMBER 157999

DATE 15.01.13

DSL0398 P02A

ISSUE STATUS 03

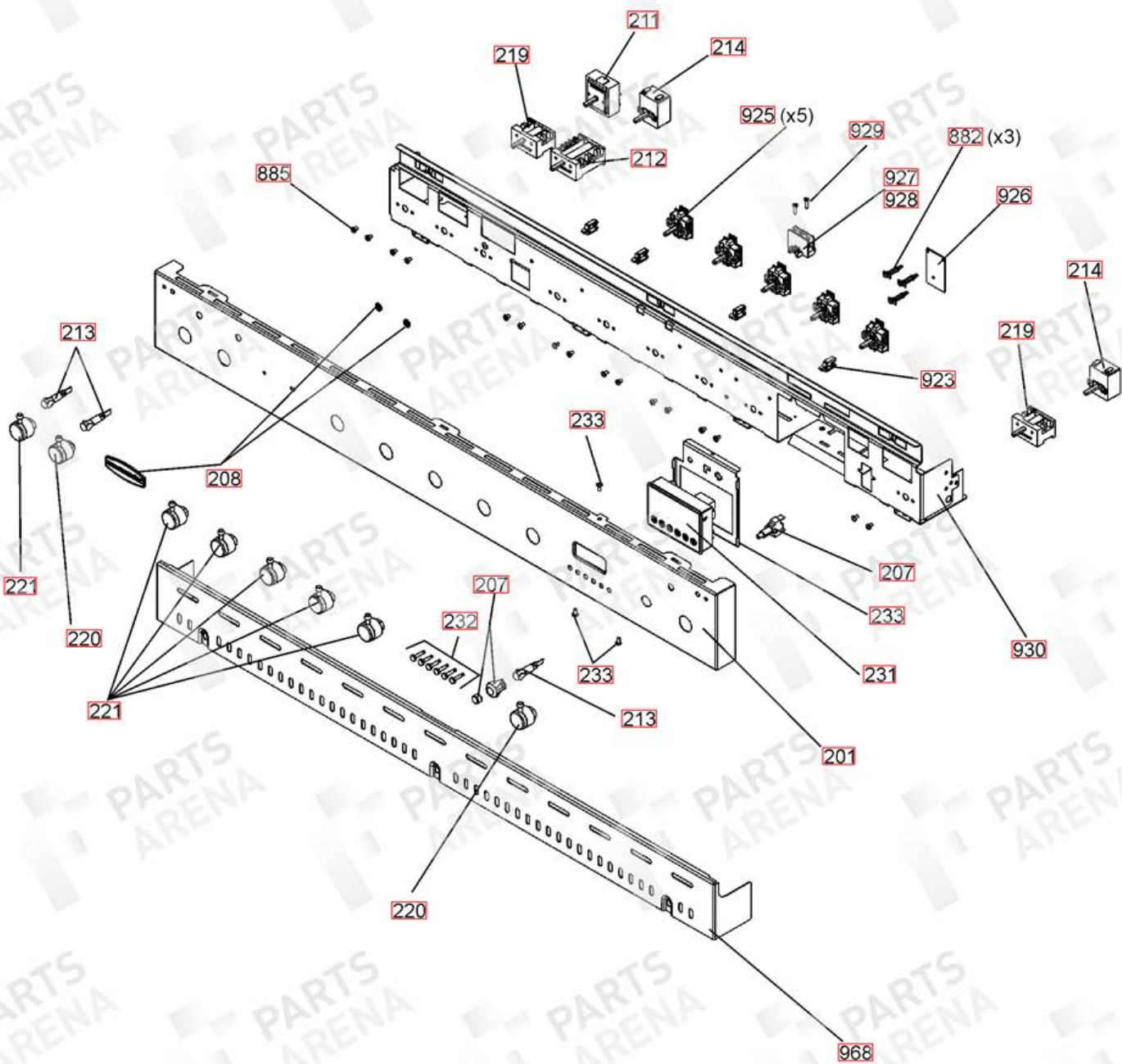
UK, EU & AUSTRALIA

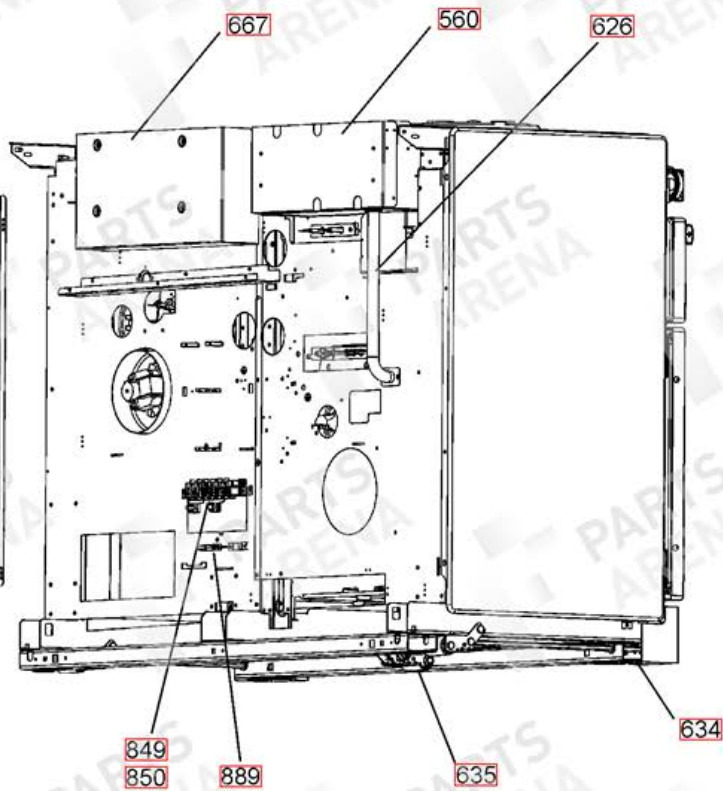
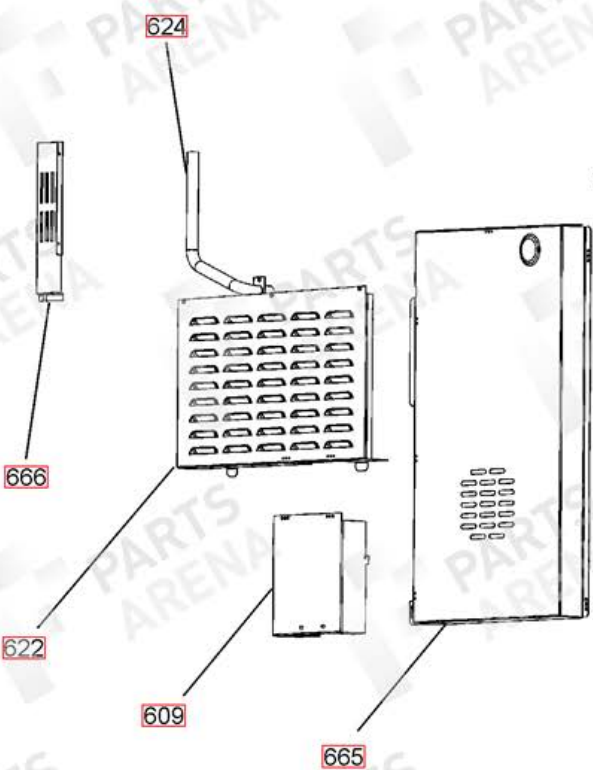


**CLASSIC 110 INDUCTION**  
FROM SERIAL NUMBER 158000  
UK & EU MODELS ONLY

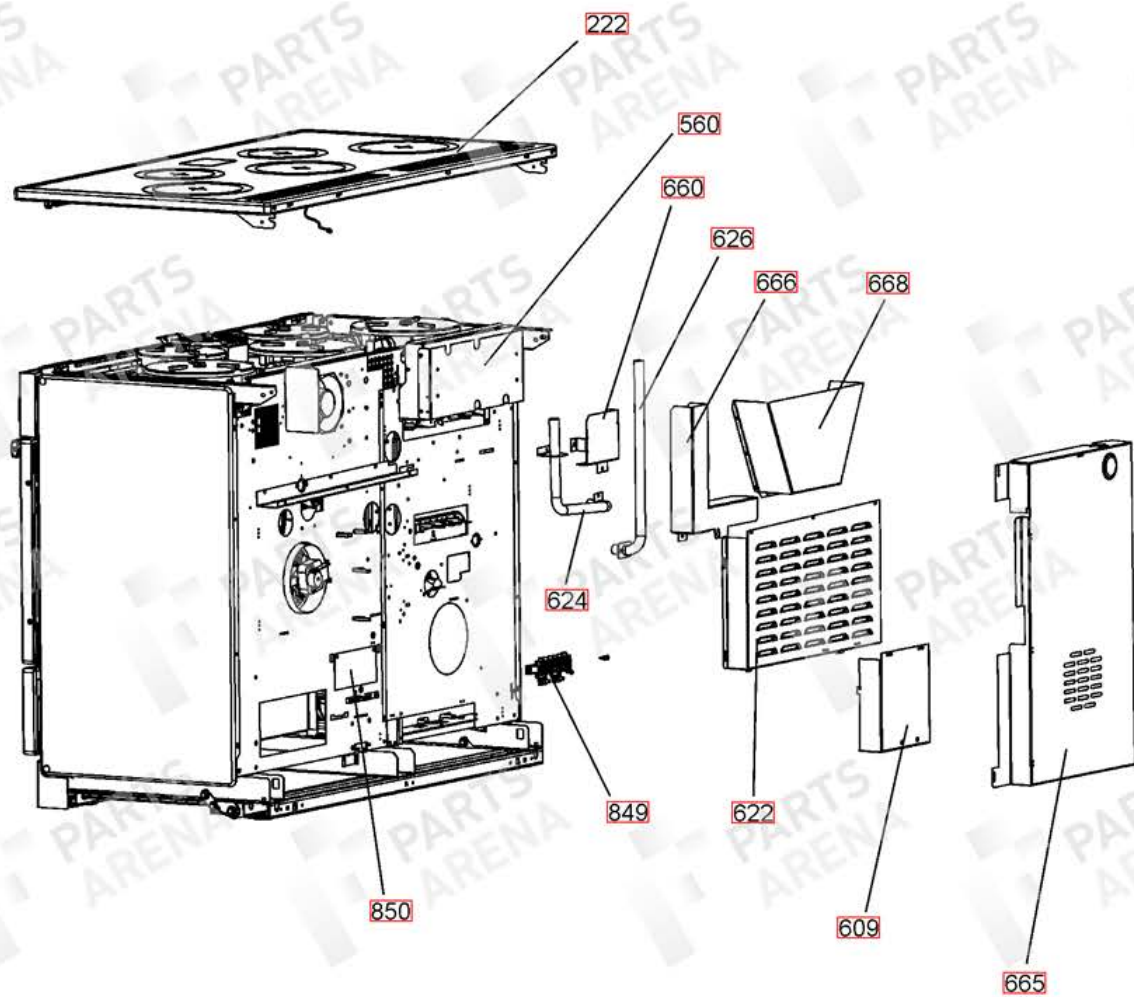
DATE 15.01.13

**DSL0398 P02B**  
ISSUE STATUS 01









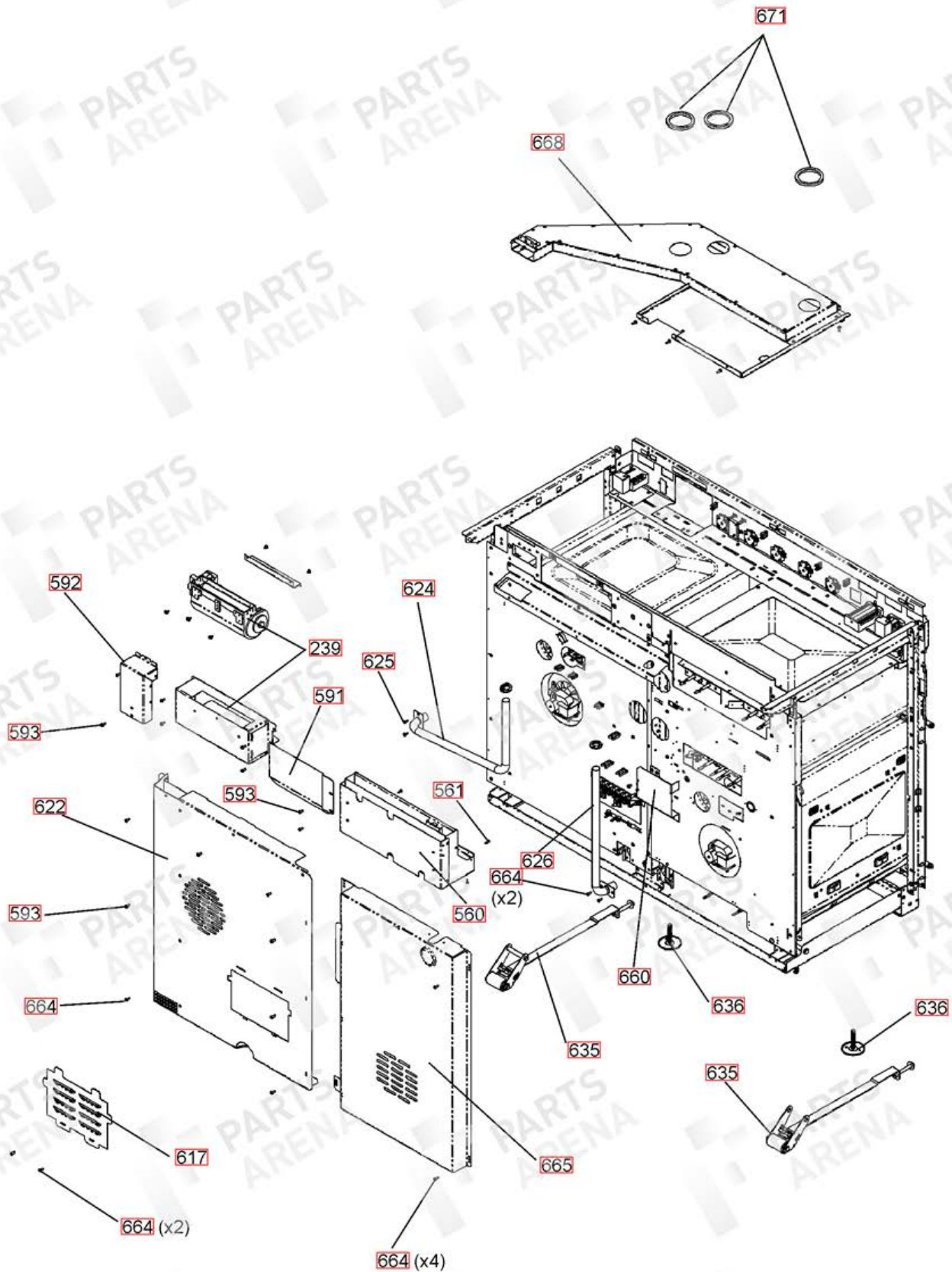
# CLASSIC 110 INDUCTION G5

DATE 15.01.13

DSL0398 P03C

ISSUE STATUS 01

FROM SERIAL NUMBER 158000  
UK & EU MODELS ONLY



# CLASSIC 110 INDUCTION

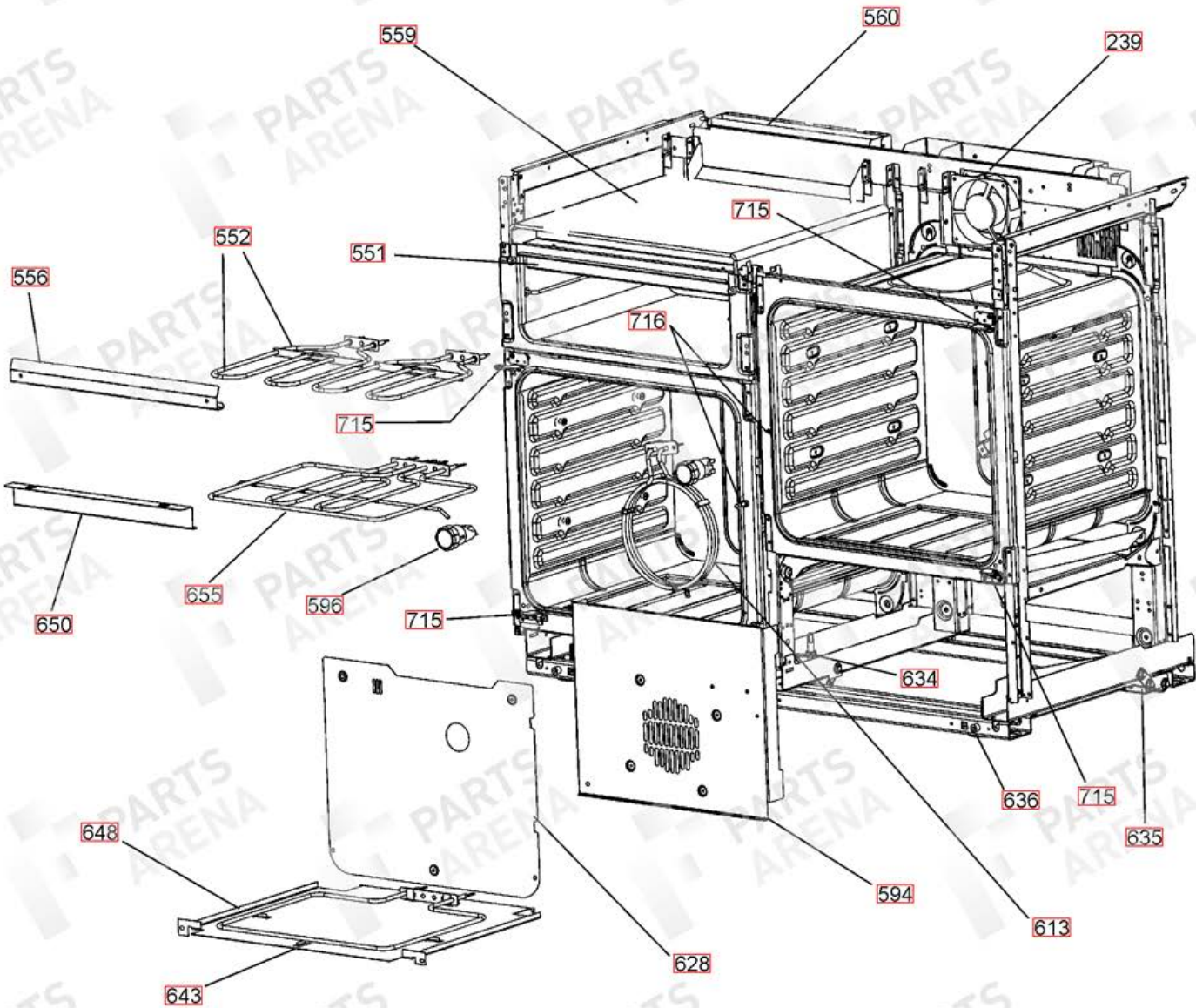
DATE 15.01.13

DSL0398 P04

ISSUE STATUS 03

UP TO SERIAL NUMBER 157999

UK, EU & AUSTRALIA





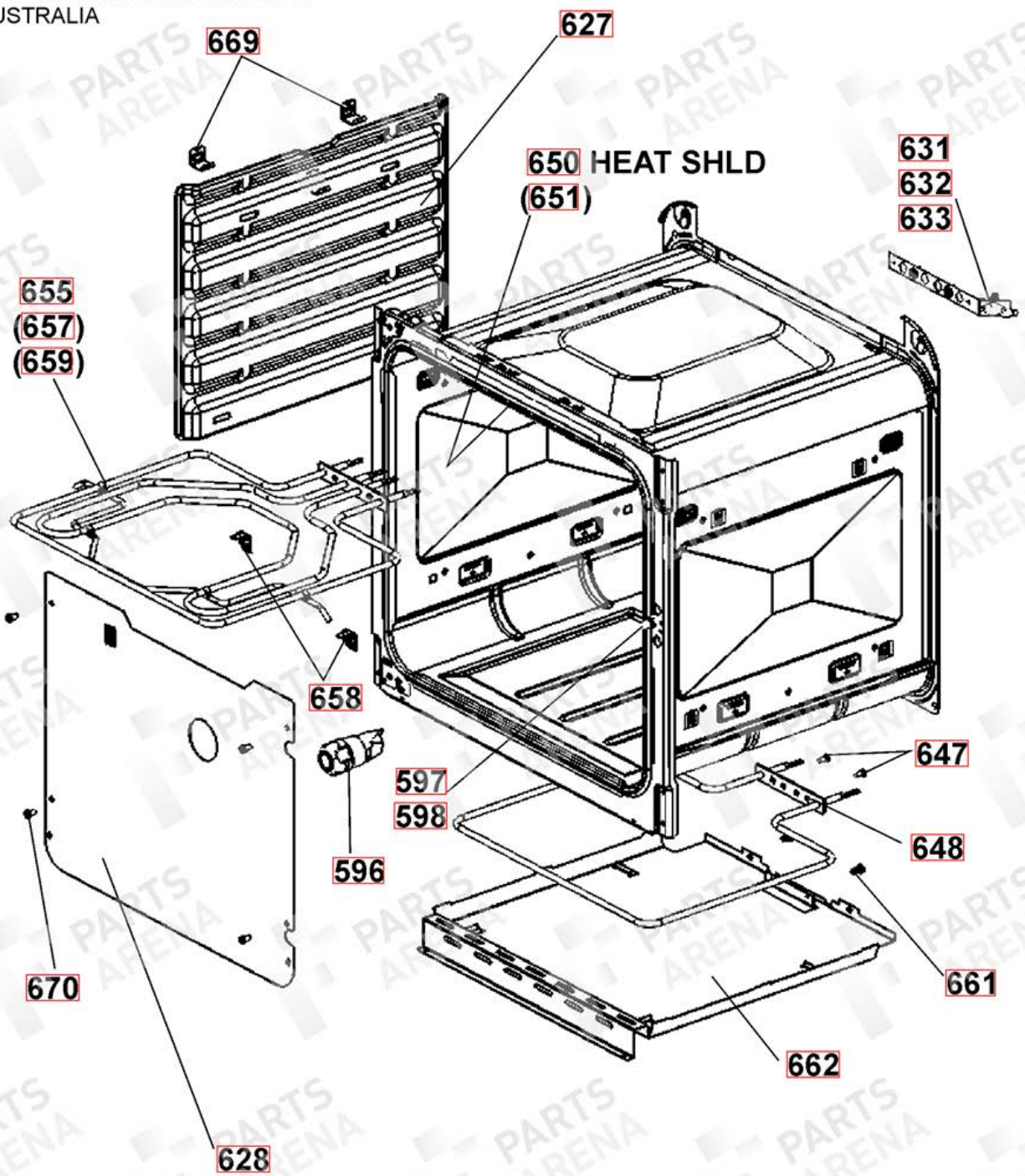
# CLASSIC 110 INDUCTION

FROM SERIAL NUMBER 158000  
UP TO SERIAL NUMBER 181999  
UK & EU MODELS ONLY

# DSL0398 P04A

DATE 01.12.15 ISSUE STATUS 03

FROM SERIAL NUMBER 167000  
UP TO SERIAL NUMBER 181999  
AUSTRALIA



**LH OVEN**

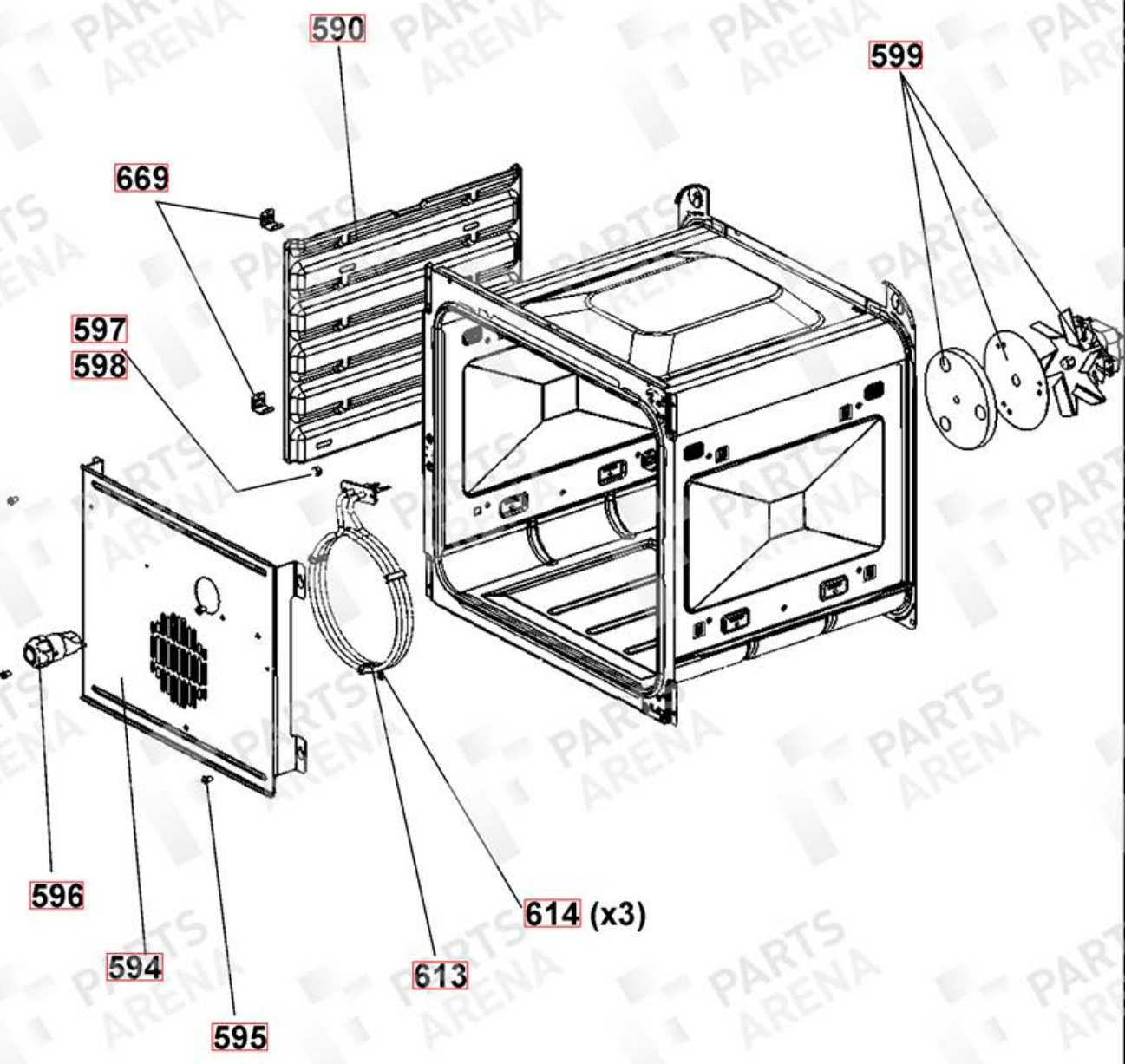
# CLASSIC 110 INDUCTION

# DSL0398 P04B

FROM SERIAL NUMBER 158000  
UP TO SERIAL NUMBER 181999  
UK & EU MODELS ONLY

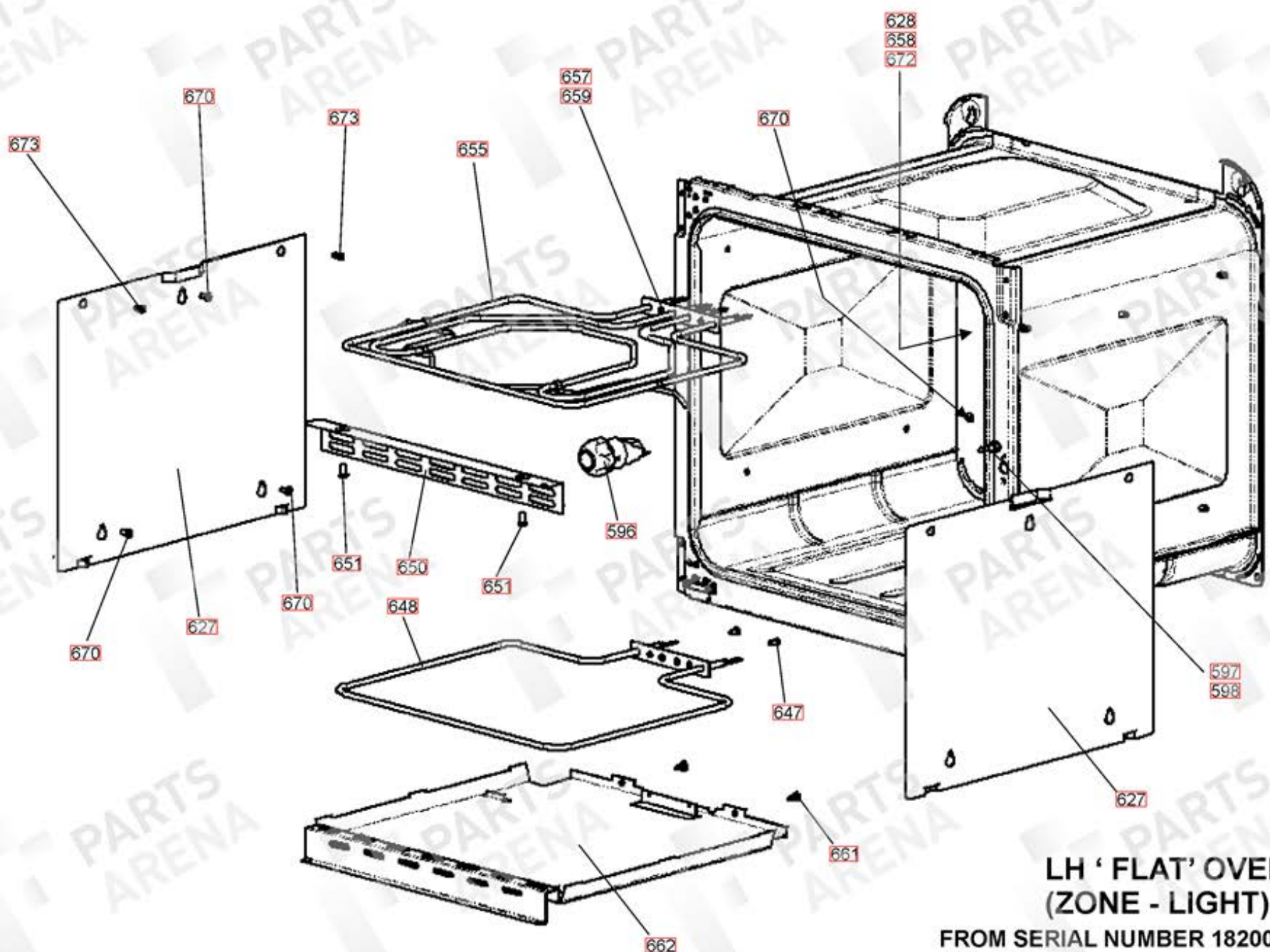
DATE 01.12.15 ISSUE STATUS 02

FROM SERIAL NUMBER 167000  
UP TO SERIAL NUMBER 181999  
AUSTRALIA



**RH OVEN**

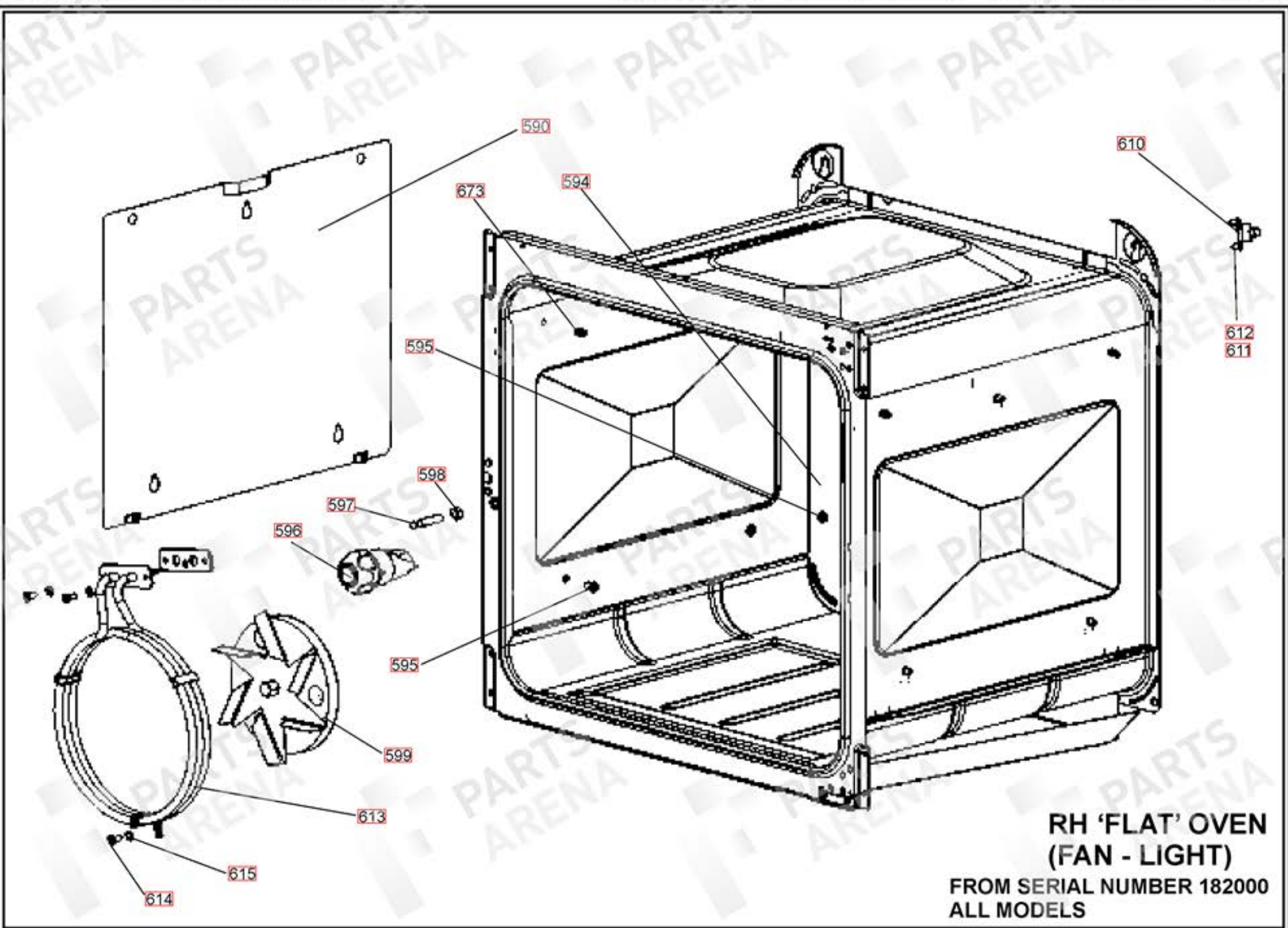




LH 'FLAT' OVEN  
(ZONE - LIGHT)

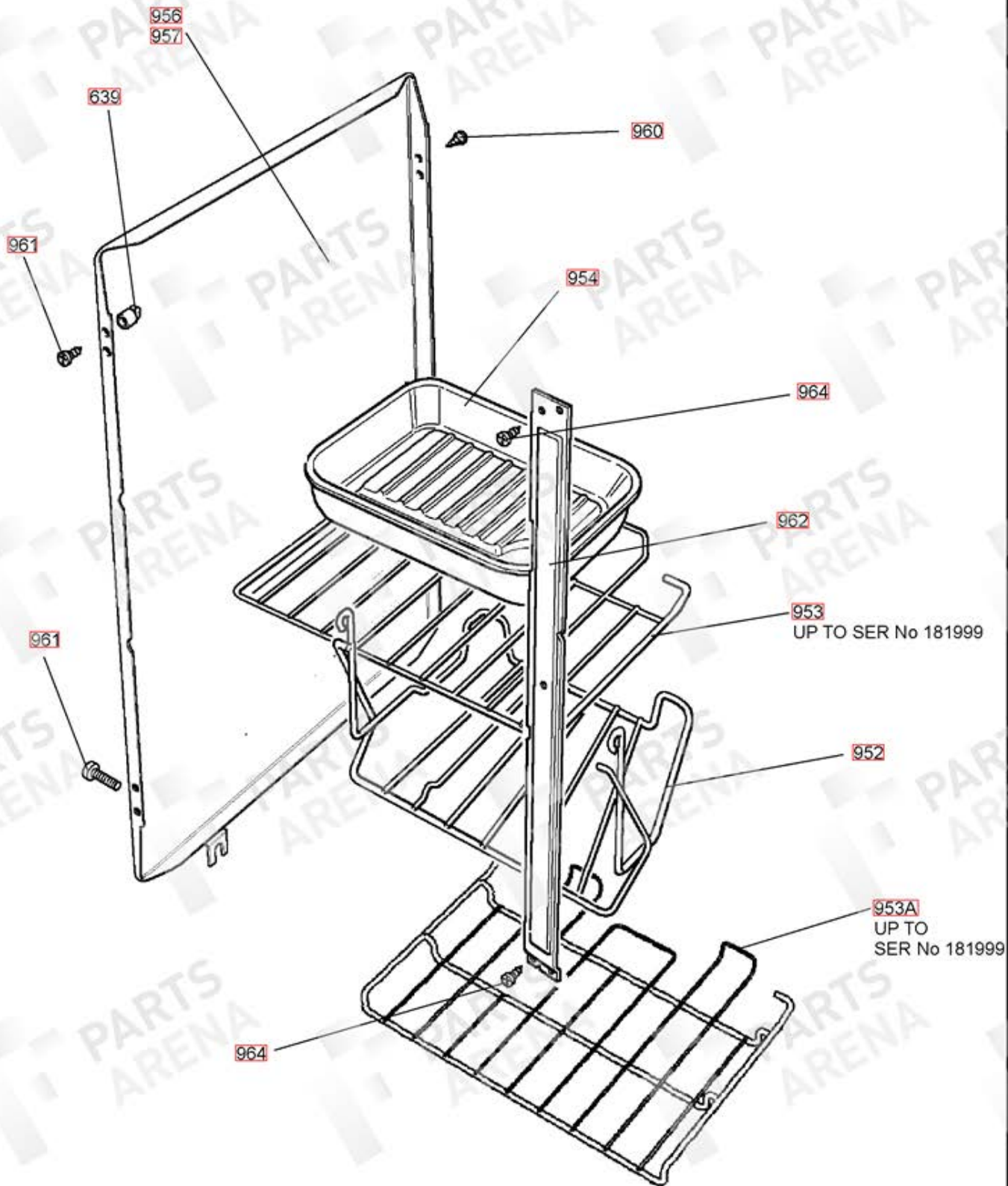
FROM SERIAL NUMBER 182000  
ALL MODELS



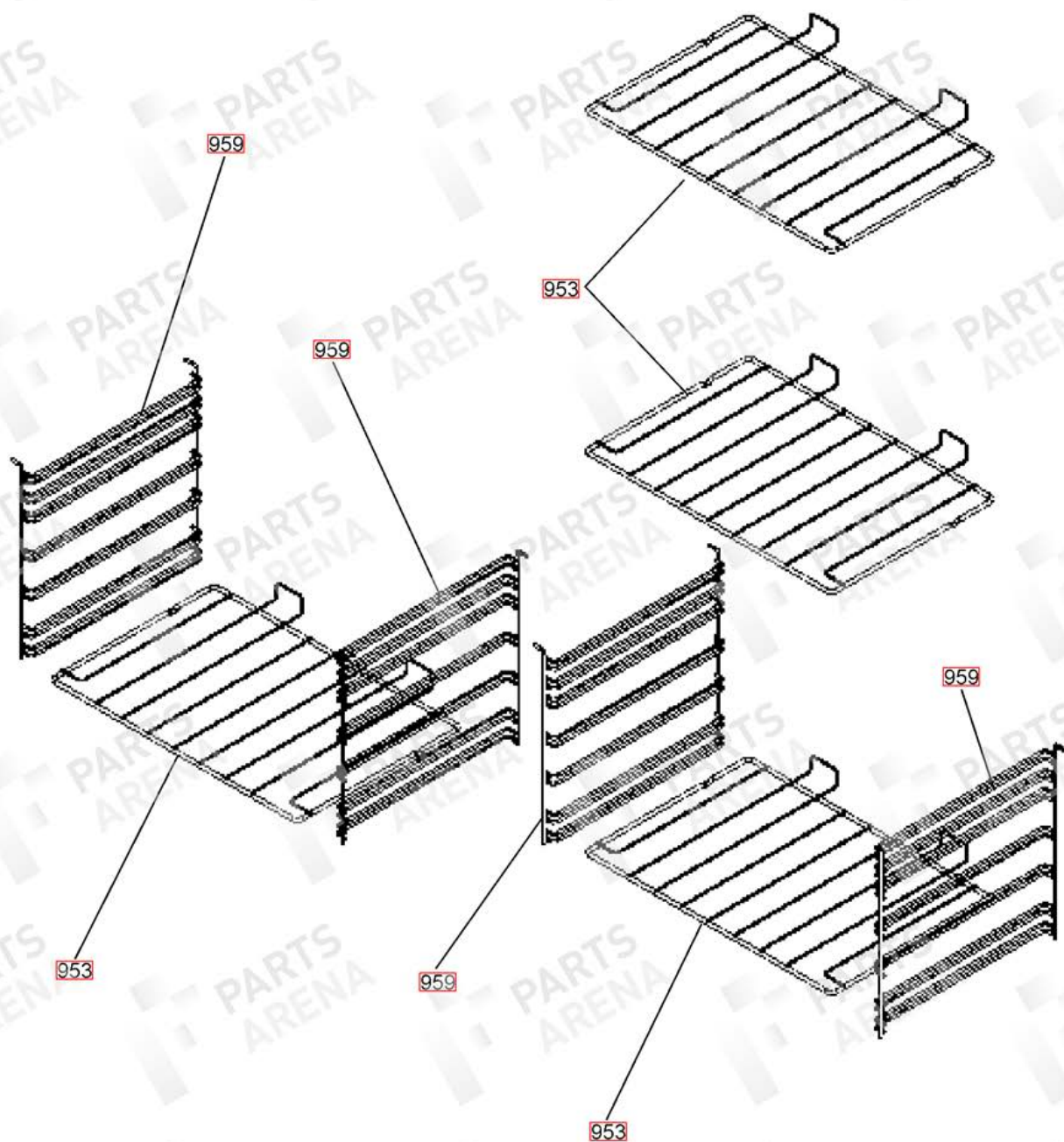


**RH 'FLAT' OVEN  
(FAN - LIGHT)**

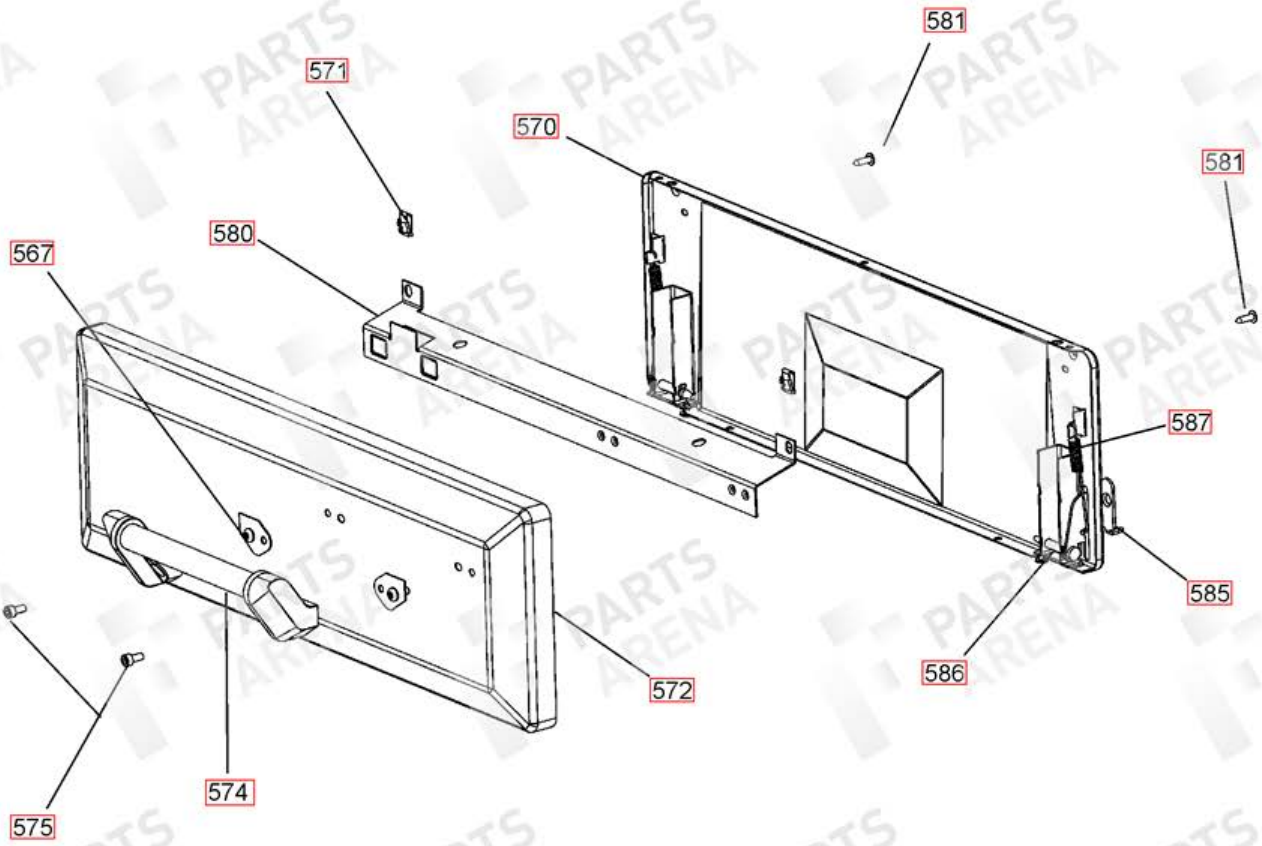
**FROM SERIAL NUMBER 182000  
ALL MODELS**

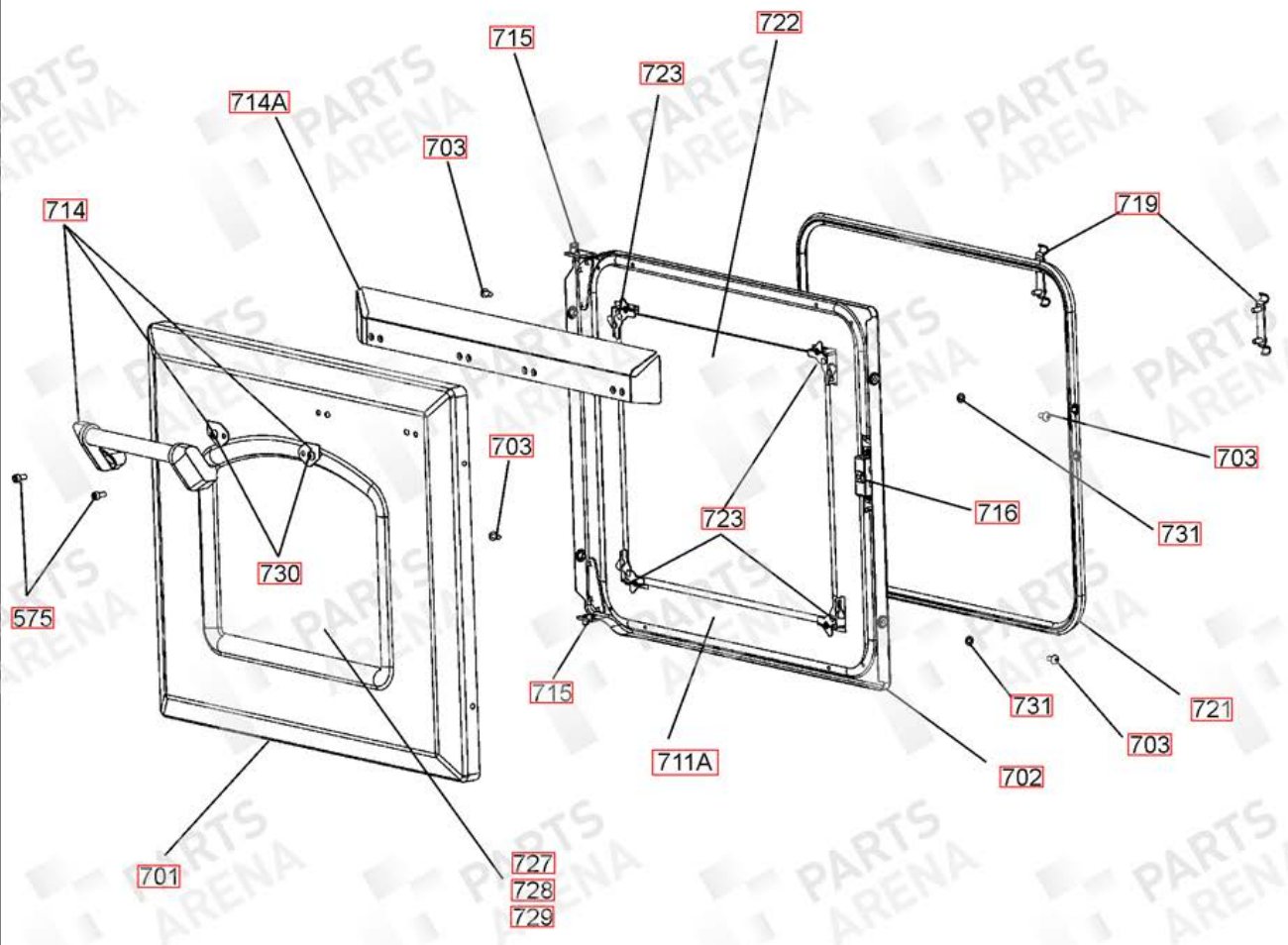


OVEN SHELVES  
FROM SERIAL NUMBER 182000





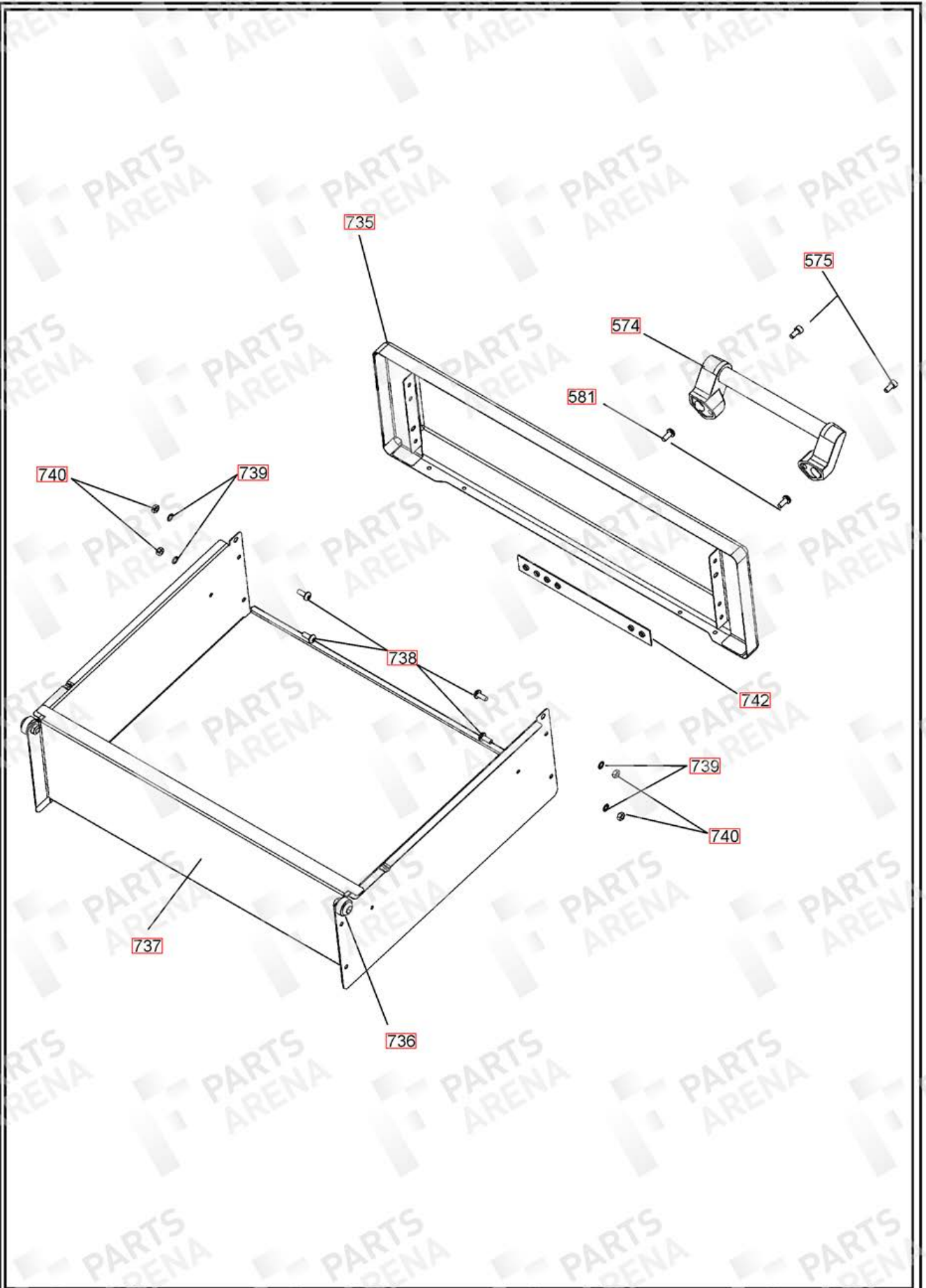


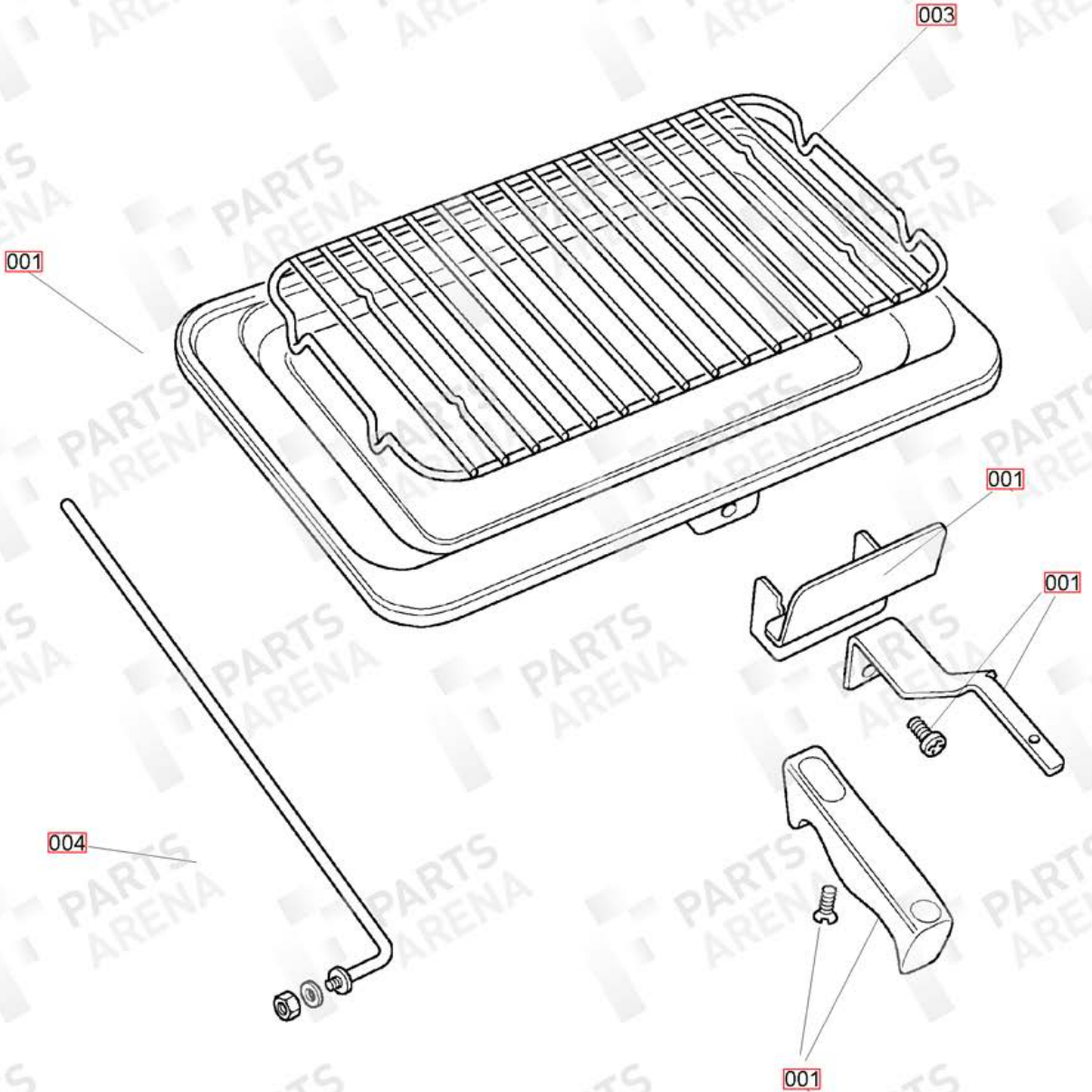






CLASSIC 110 INDUCTION



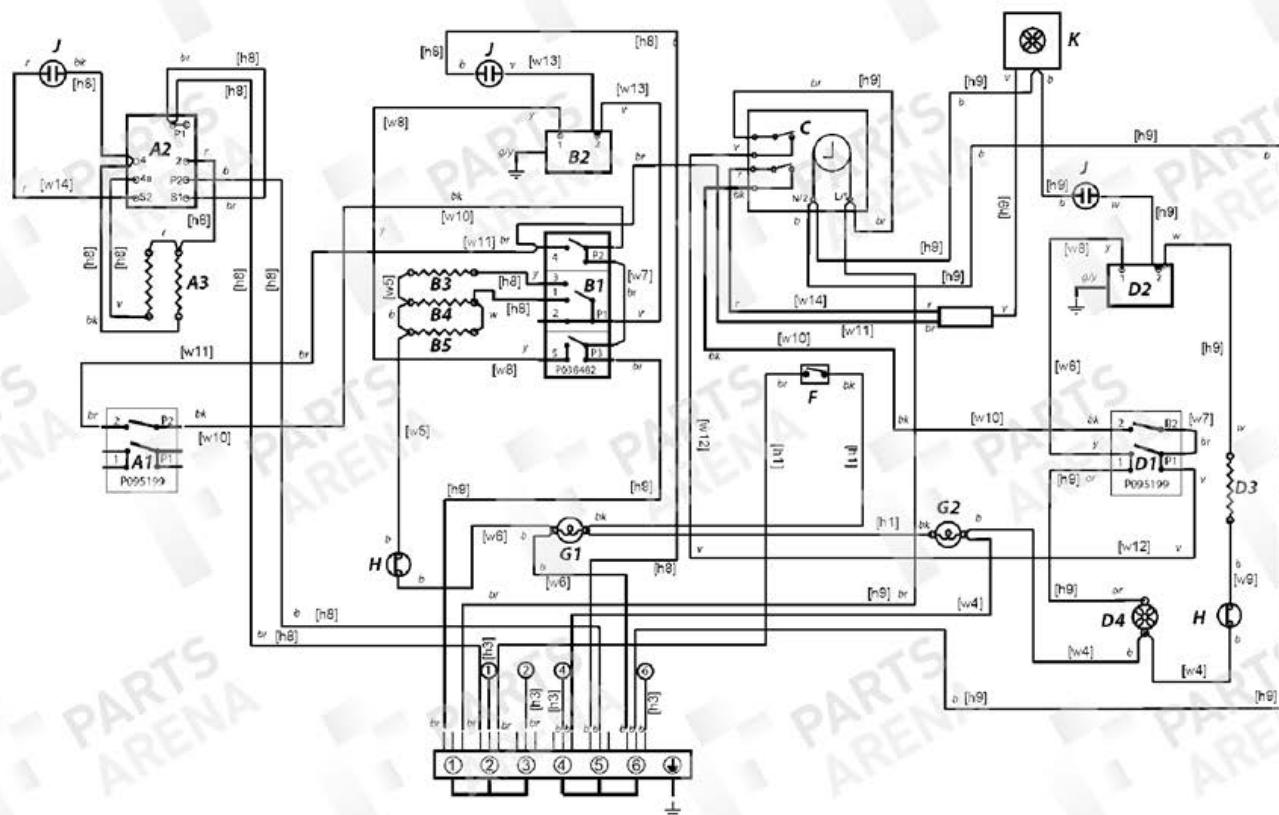








FROM SERIAL NUMBER 158000  
UK & EU MODELS ONLY



Ref Number	Part number	Colour	Quantity	Remarks
w1	P043962	grly	1	Wire - (N) Earth Link LH and RH Oven
w2	P094943	grly	2	Wire - (N) Earth Link Thermostat Controls
w3	P055374	grly	2	Wire - (N) Earth Link Grill Elements
w4	P043963	b	1	Wire - RH Oven Neutral
w5	P043964	b	1	Wire - LH Oven Neutral Top_Bottom Elements
w6	P043965	b	1	Wire - LH Oven Neutral_Thermal Trip_Lights
w7	P055344	br	2	Wire - Supply Link LH Oven Switch and RH Oven Switch
w8	P037863	y	2	Wire - LH and RH Oven Thermostat Link to Front Switch
w9	P040966	b	1	Wire - RH Oven Neutral Link to Thermal Trip
w10	P038198	bk	2	Wire - RH OVEN COOLING FAN CONTROL_LH OVEN COOLING FAN FEED
w11	P059545	br	1	Wire - Cooling Fan Front Switch Link Wire
w12	P045407	v	1	Wire - RH Oven Supply
w13	P033367	v	1	Wire - LH Oven Thermostat and Neon Supply
w14	P040719	r	2	Wire - Grill Neon Link to Energy Regulator
h1	P040760	br/b/g	1	Harness - Light Switch Links
h2	P051839	br/b/g	1	Harness - (N) MAINS POWER - CONNECTOR BLOCK - INDUCTION UNIT
h3	P052814	br/b/g	1	Harness - MAINS POWER - TERMINAL BLOCK - CONNECTOR BLOCK
h4	P043939	br	1	Harness - (N) Rotary Control 1
h5	P043937	br	1	Harness - (N) Rotary Control 5
h6	P043936	br	2	Harness - (N) Rotary Control 3 & 4
h10	P040924	br	1	Harness - (N) Rotary Control 2
h7	P051766	br	1	Harness - LIN Connection K6 to Interface Board
h8	P045530	br/br/bk/v/y/w	1	Harness - LH Oven and Grill
h9	P059544	br/or/v	1	Harness - RH Oven Harness

N Not Illustrated

w - Single Cable / Single Cable with multiple terminations

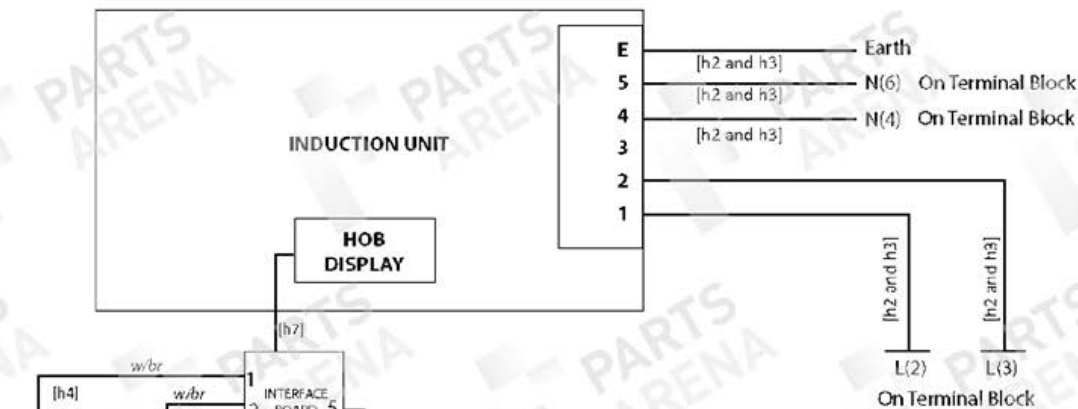
h - Harness Assembly (including Single Wires that are Sheathed)

Code	Description
A1	Grill Front Switch
A2	Grill Energy Regulator
A3	Grill Elements
B1	Zoned Oven Front Switch
B2	Zoned Oven Thermostat
B3	Zoned oven browning element (inner pair)
B4	Zoned oven top element (outer pair)
B5	Zoned Oven Base Element
C	Clock / Oven Function Timer

Code	Description
D1	Right Hand Oven Front Switch
D2	Right Hand Oven Thermostat
D3	Right-Hand Fan Oven element
D4	Right-Hand Oven fan
F	Ovens Light Switch
G1	Oven Light LH Oven
G2	Oven Light RH Oven
H	Thermal cut-out
J	Neon
K	Cooling Fan

Code	Colour
b	Blue
br	Brown
bk	Black
or	Orange
r	Red
v	Violet
w	White
y	Yellow
g/y	Green/Yellow
gr	Grey

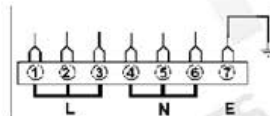
FROM SERIAL NUMBER 158000  
UK & EU MODELS ONLY



### KEY

1	Front left
2	Rear left
3	Rear right
4	Front right
5	Centre
w/br	White or Brown

Ref Number	Part number	Colour	Quantity	Remarks
<b>F4</b>	P043039	br	3	Harness - Rotary Control 1,2 and 5
<b>h5</b>	P043037	br	1	Harness - Rotary Control 3
<b>F6</b>	P043036	br	1	Harness - Rotary Control 4
<b>h7</b>	P051766	br	1	Harness - LIN Connection K6 to Interface Board
<b>F2</b>	P051839	br/big	1	Harness - MAINS POWER - CONNECTOR BLOCK - INDUCTION UNIT
<b>h3</b>	P052614	br/big	1	Harness - MAINS POWER - TERMINAL BLOCK - CONNECTOR BLOCK



110 cm  
INDUCTION UNIT