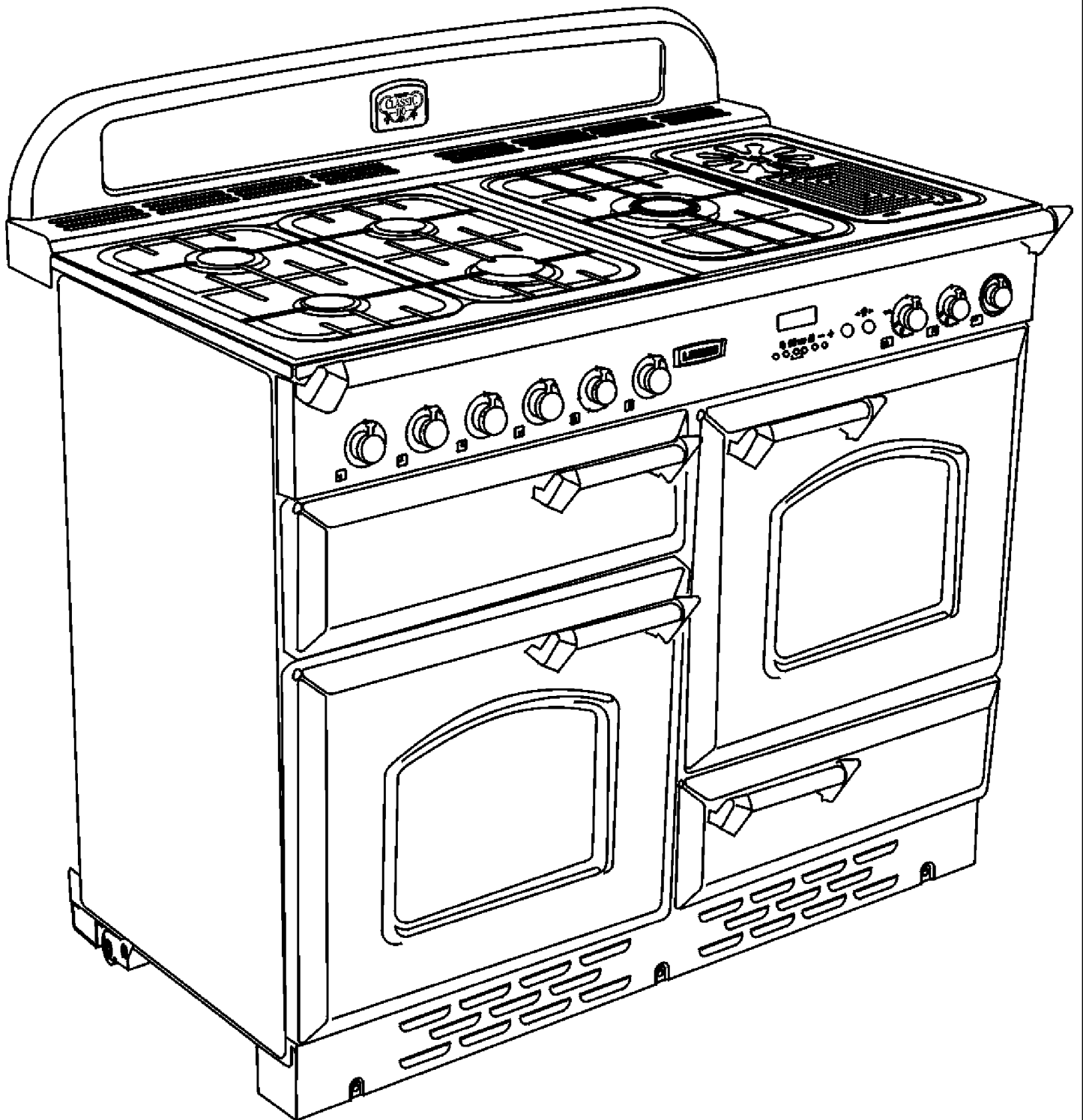
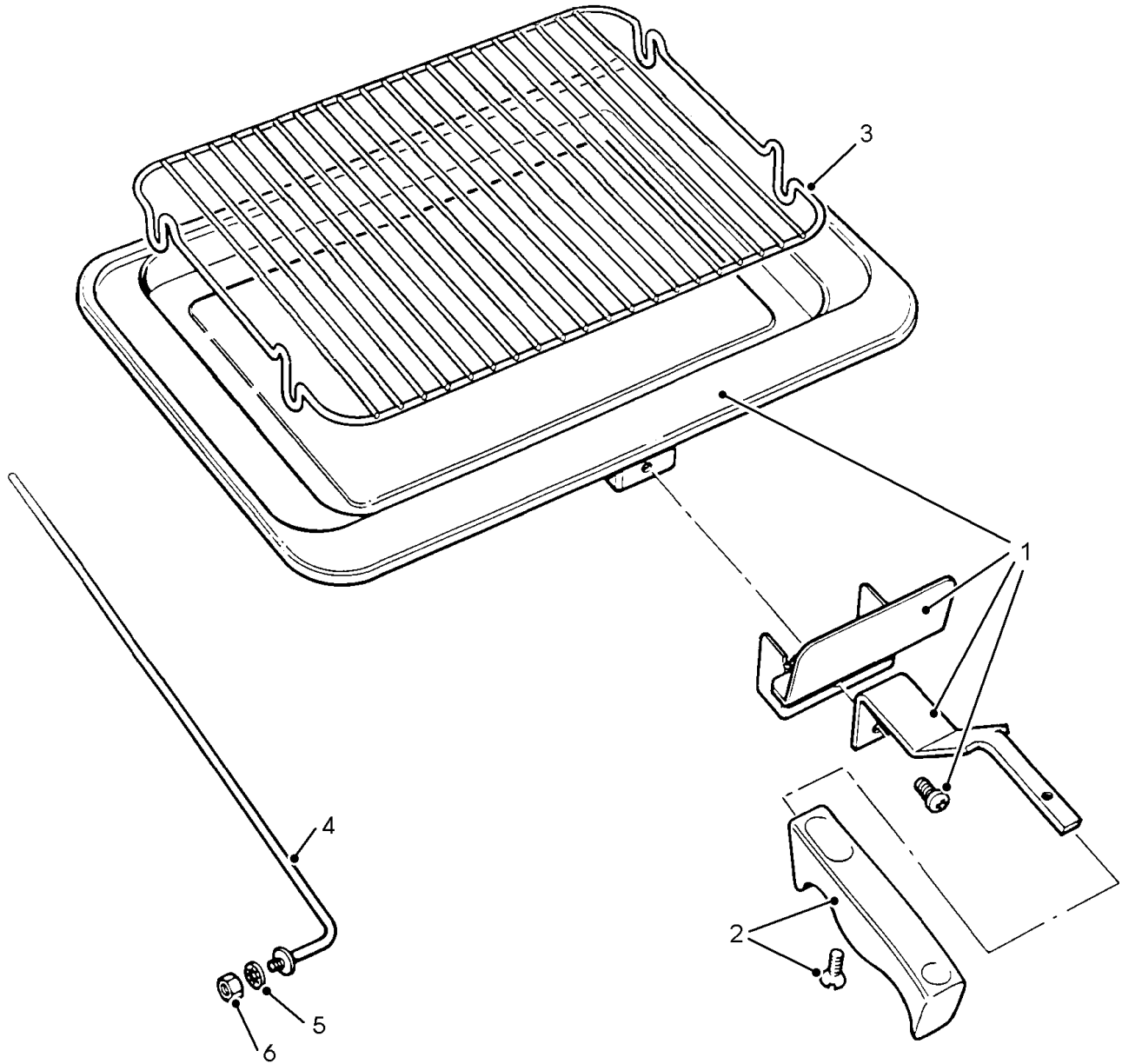


CLASSIC 110 DF EU
6778, 6779, 6780, 6781, 6782,
6783, 6784, 6785, 6818

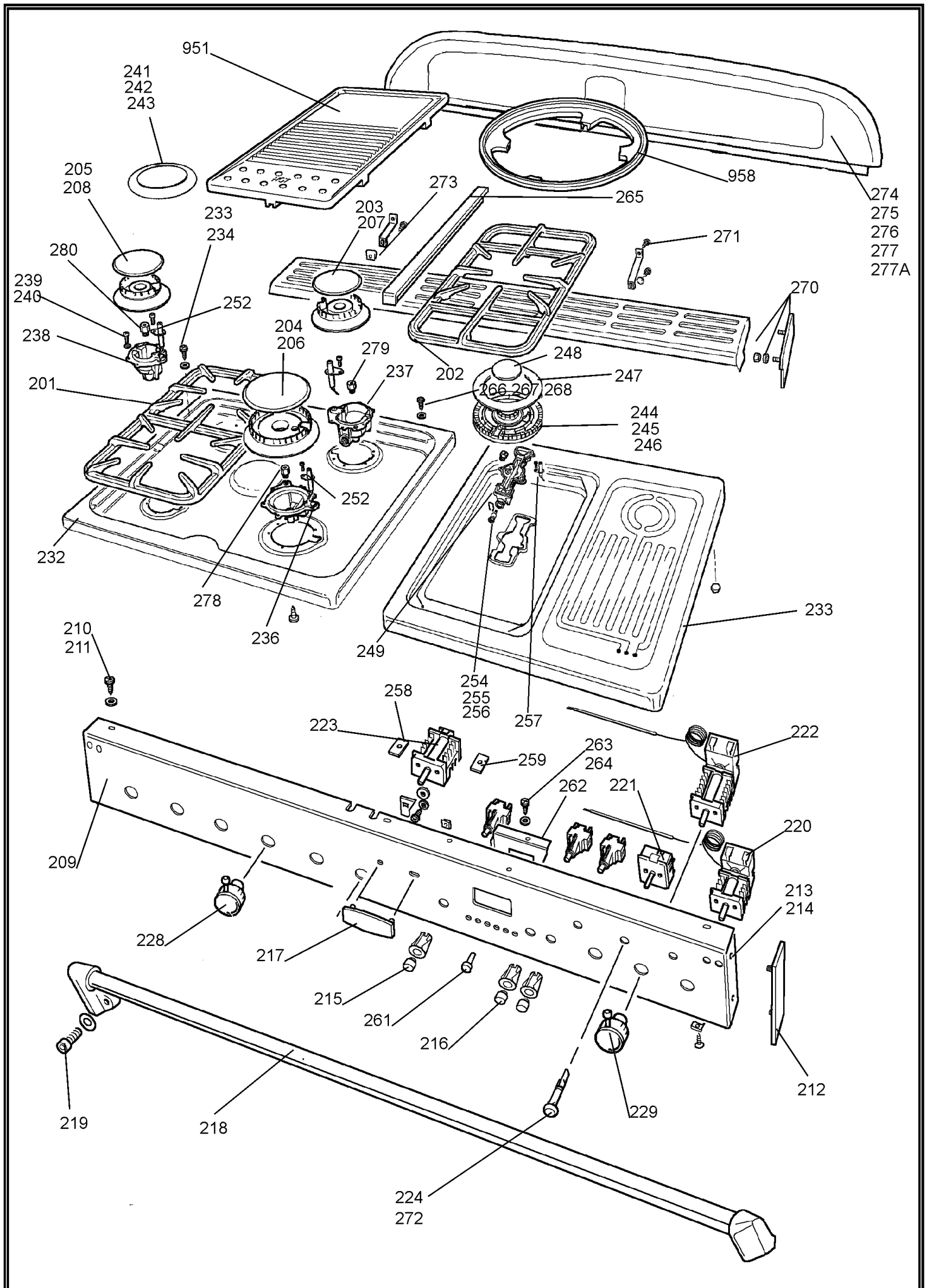
DSL 182 P00A
DATE 13.03.03 ISSUE STATUS 01

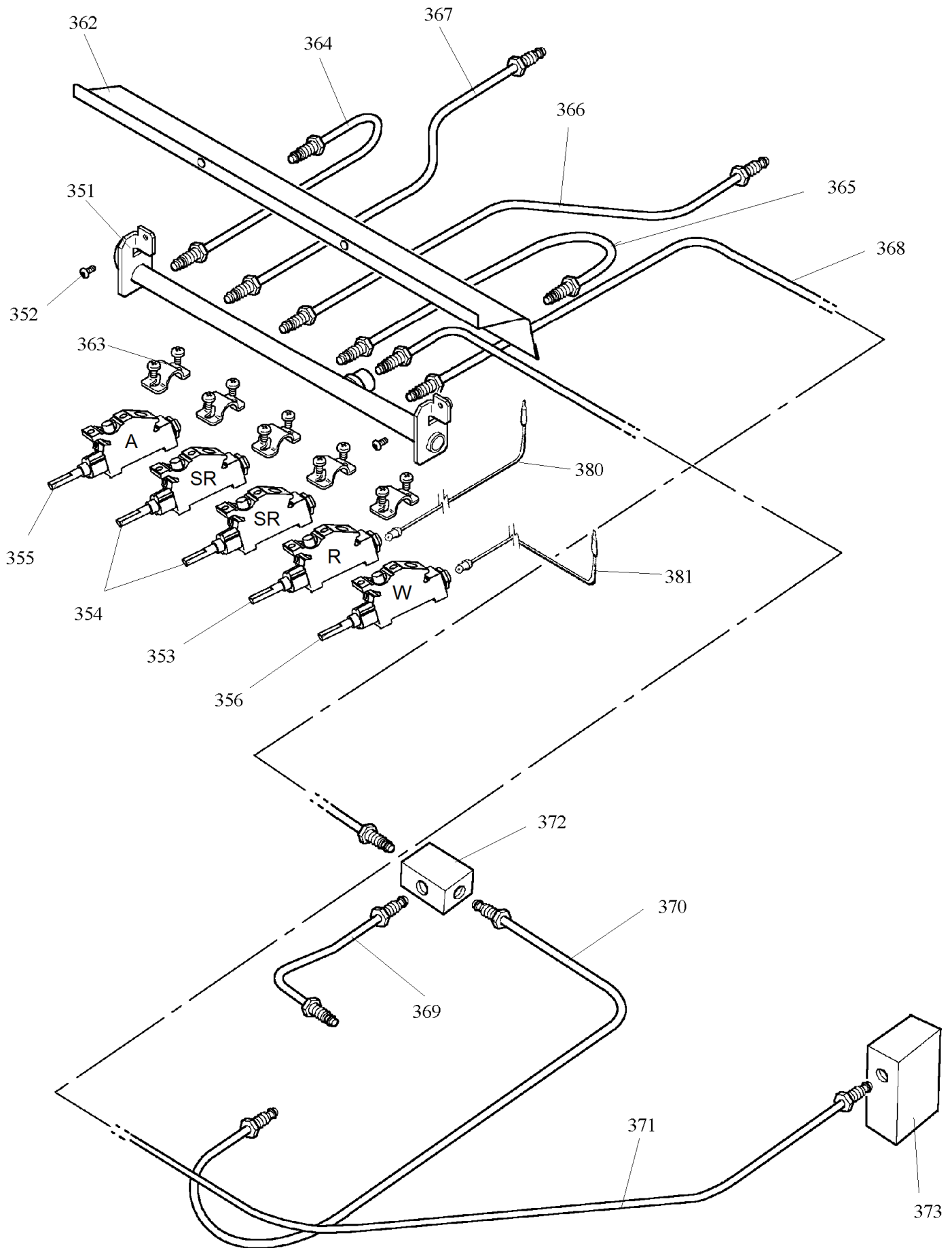


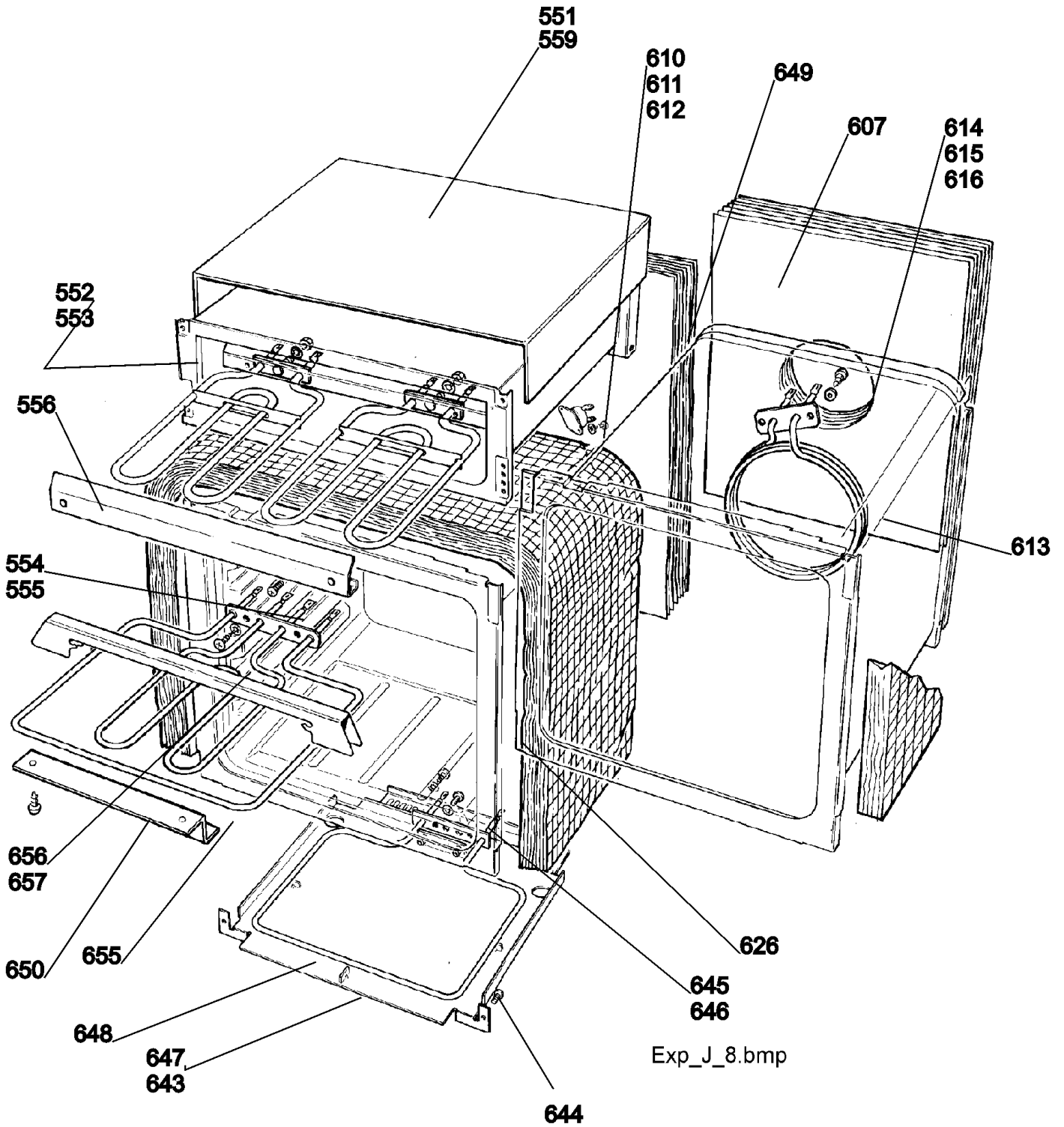


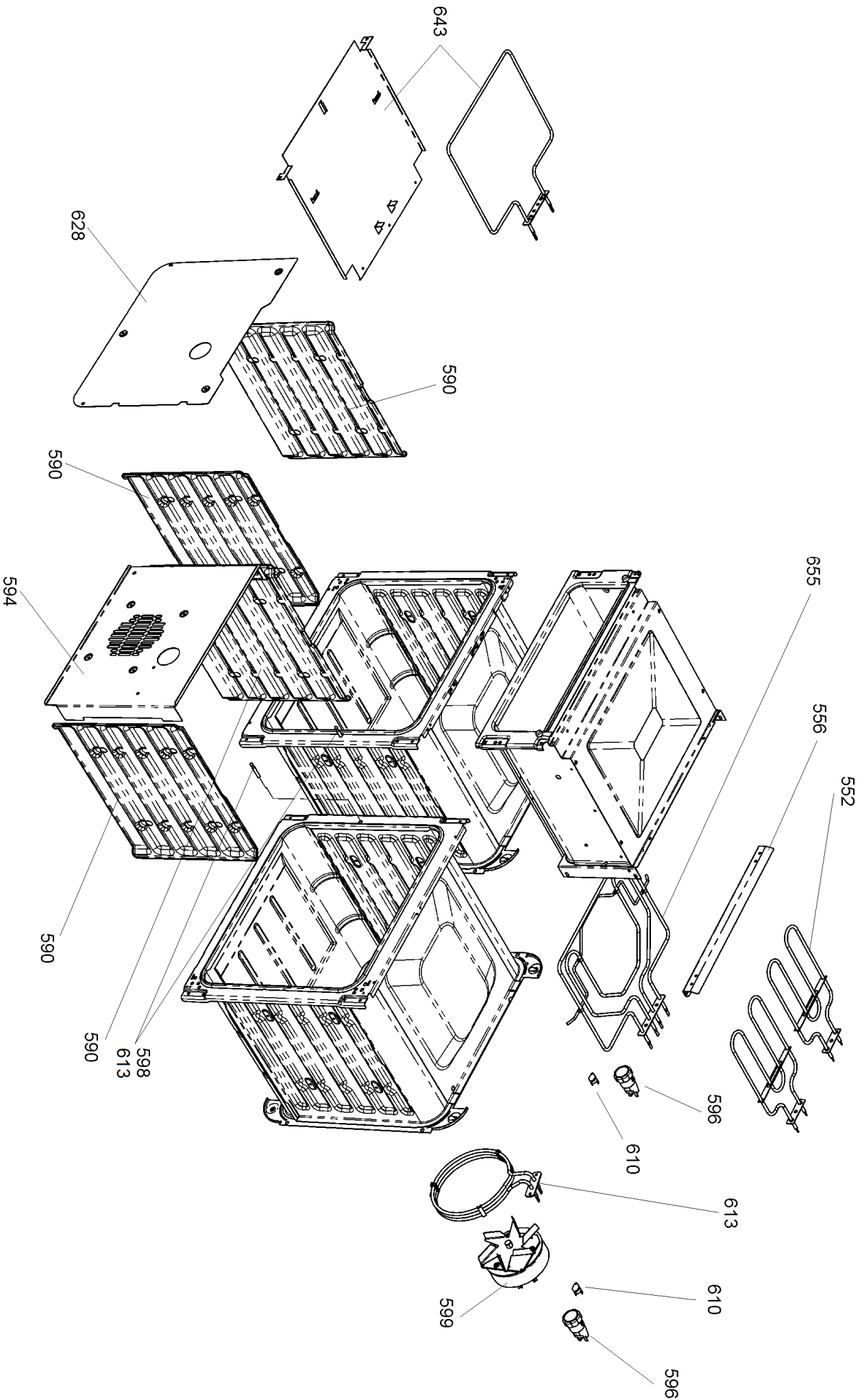
6778, 6779, 6780, 6781, 6782
6783, 6784, 6785, 6818

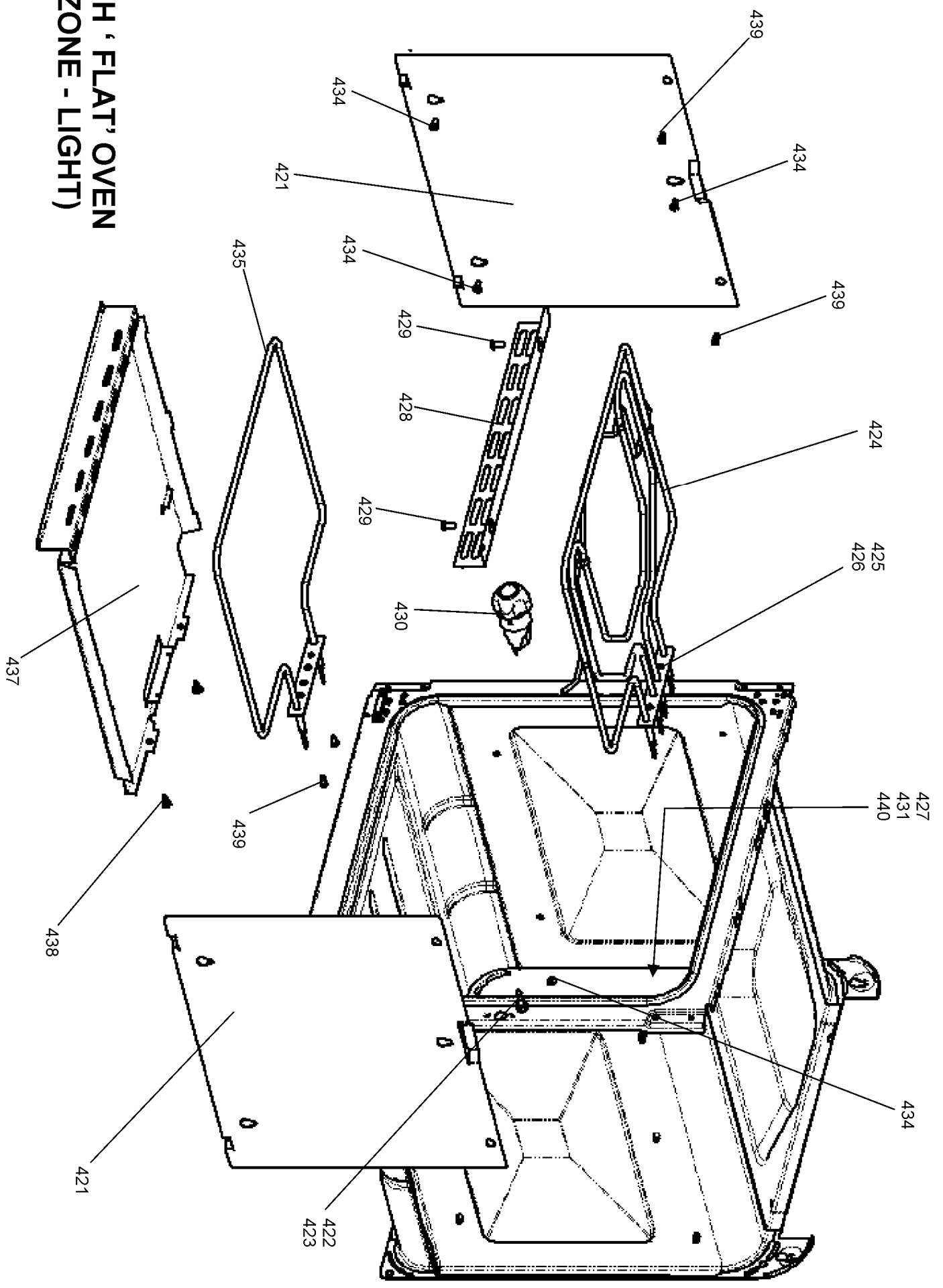
DSL 182 P02A
DATE 14.03.03 ISSUE STATUS 01



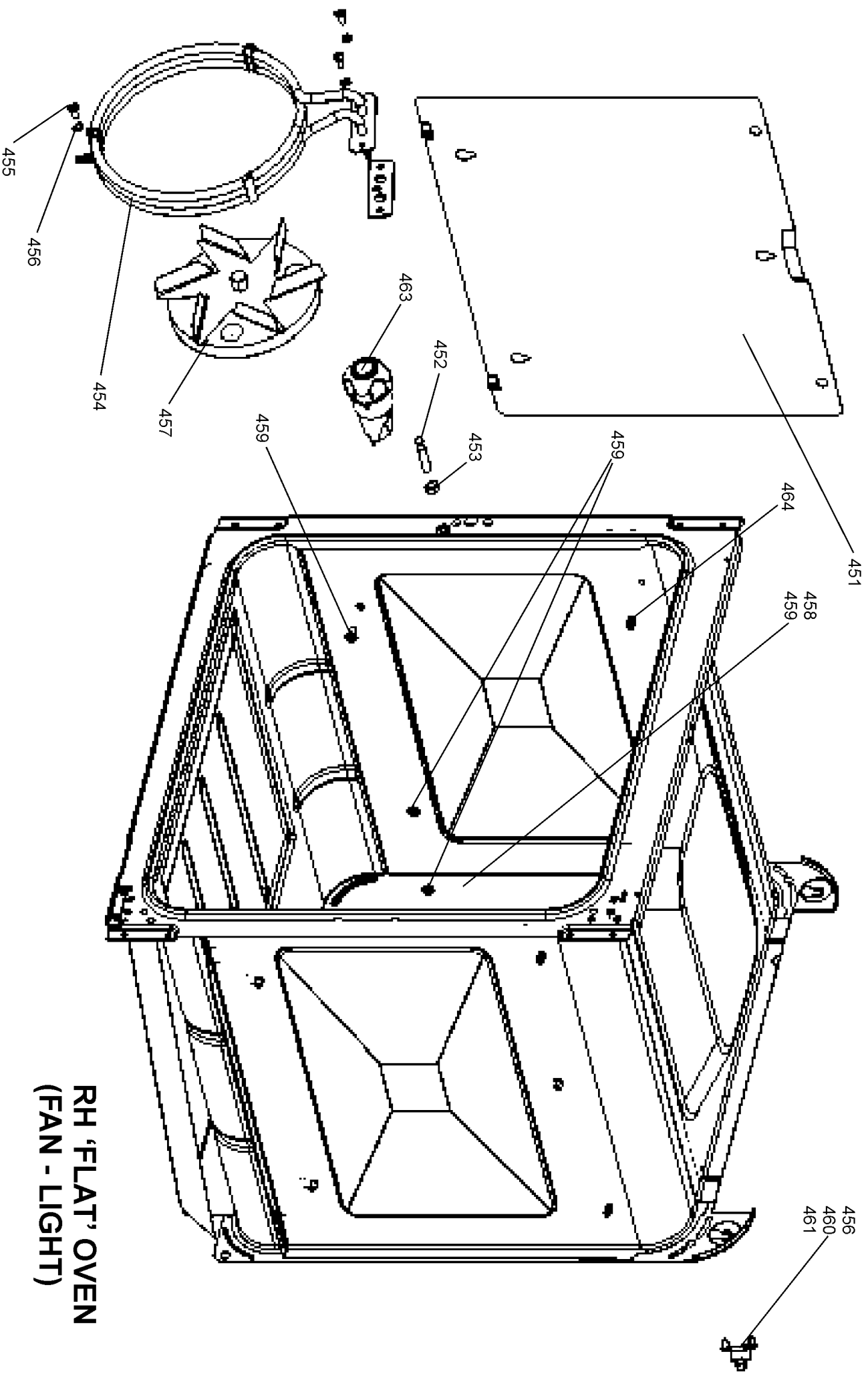




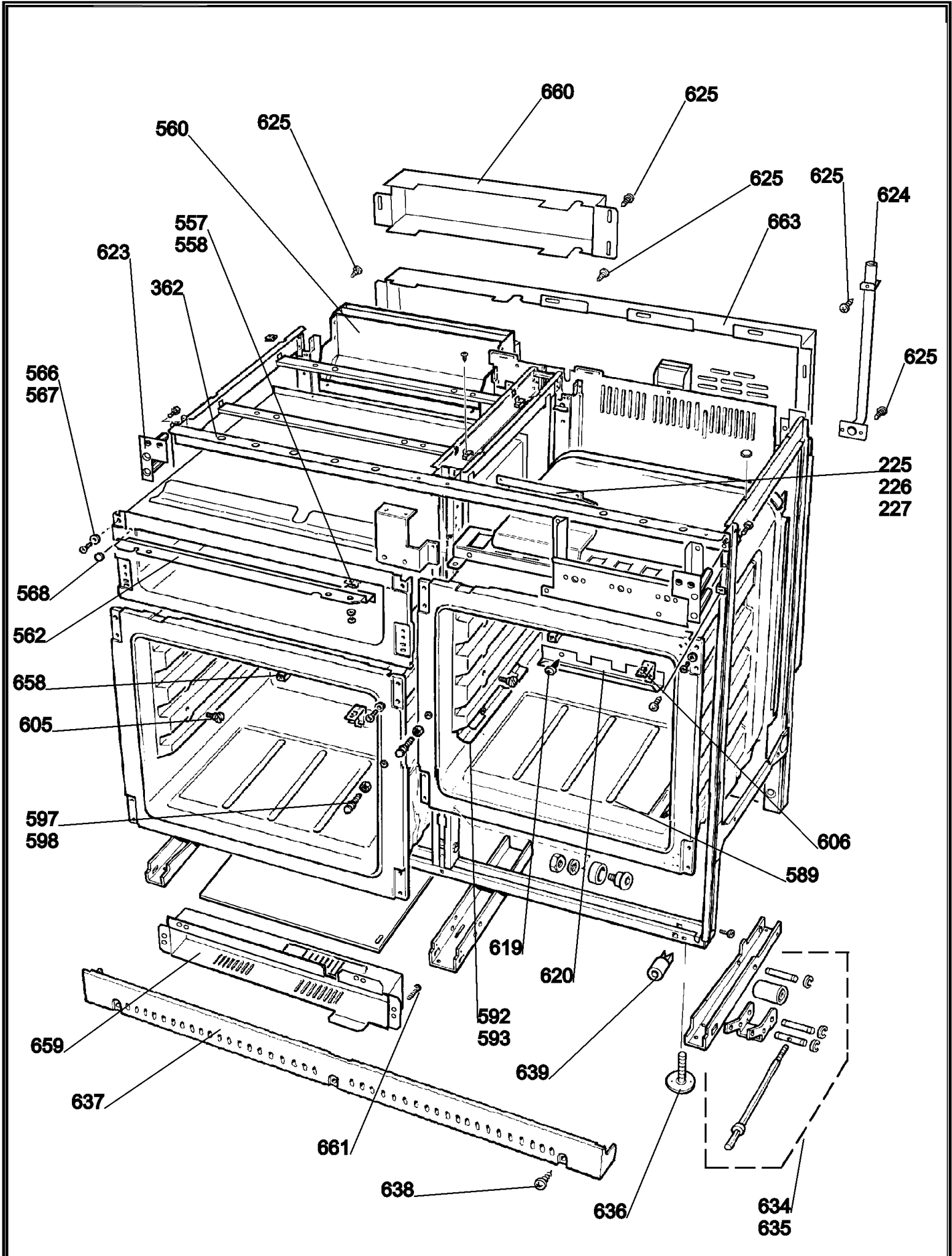


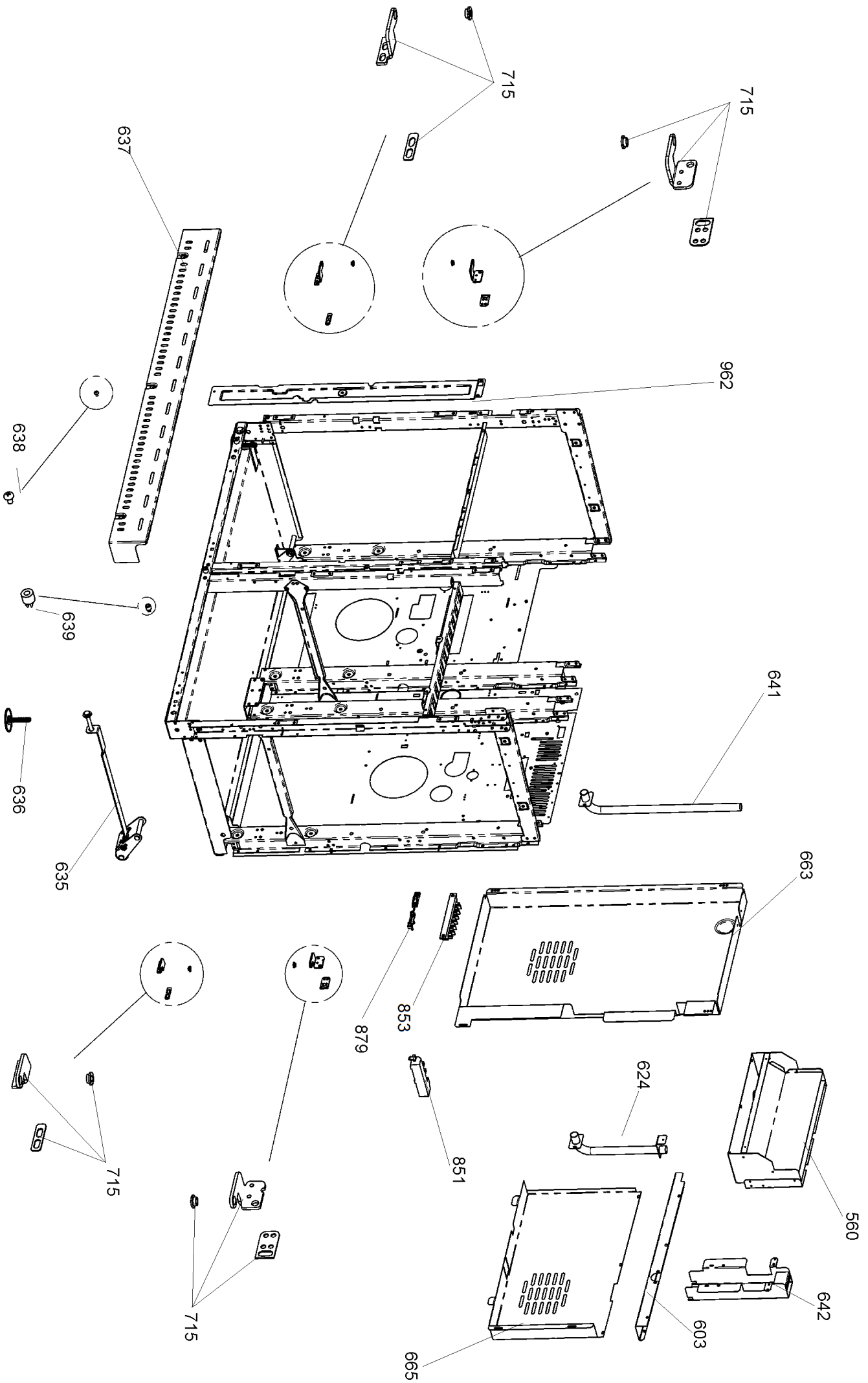


LH 'FLAT' OVEN
(ZONE - LIGHT)



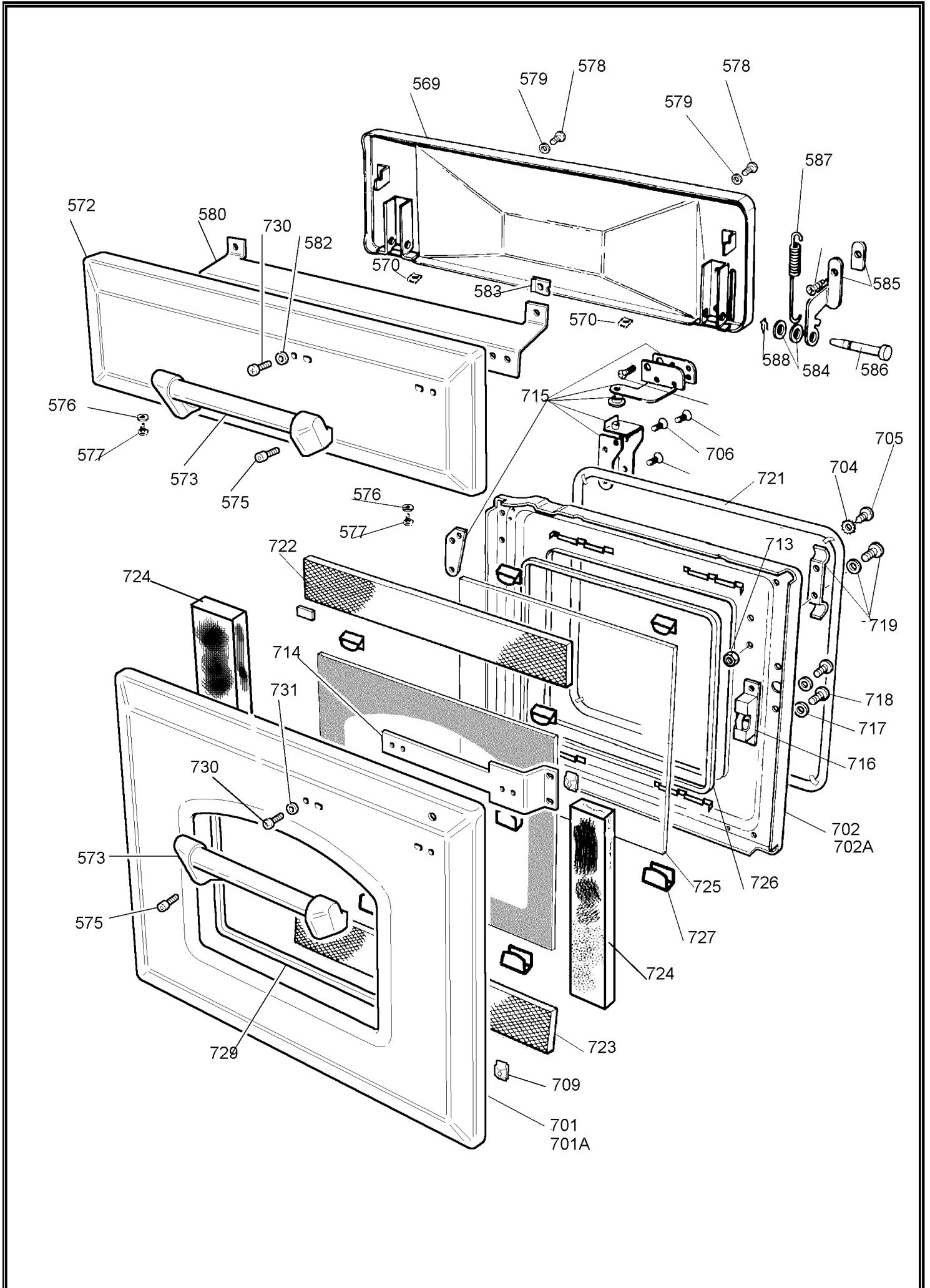
**RH 'FLAT' OVEN
(FAN - LIGHT)**

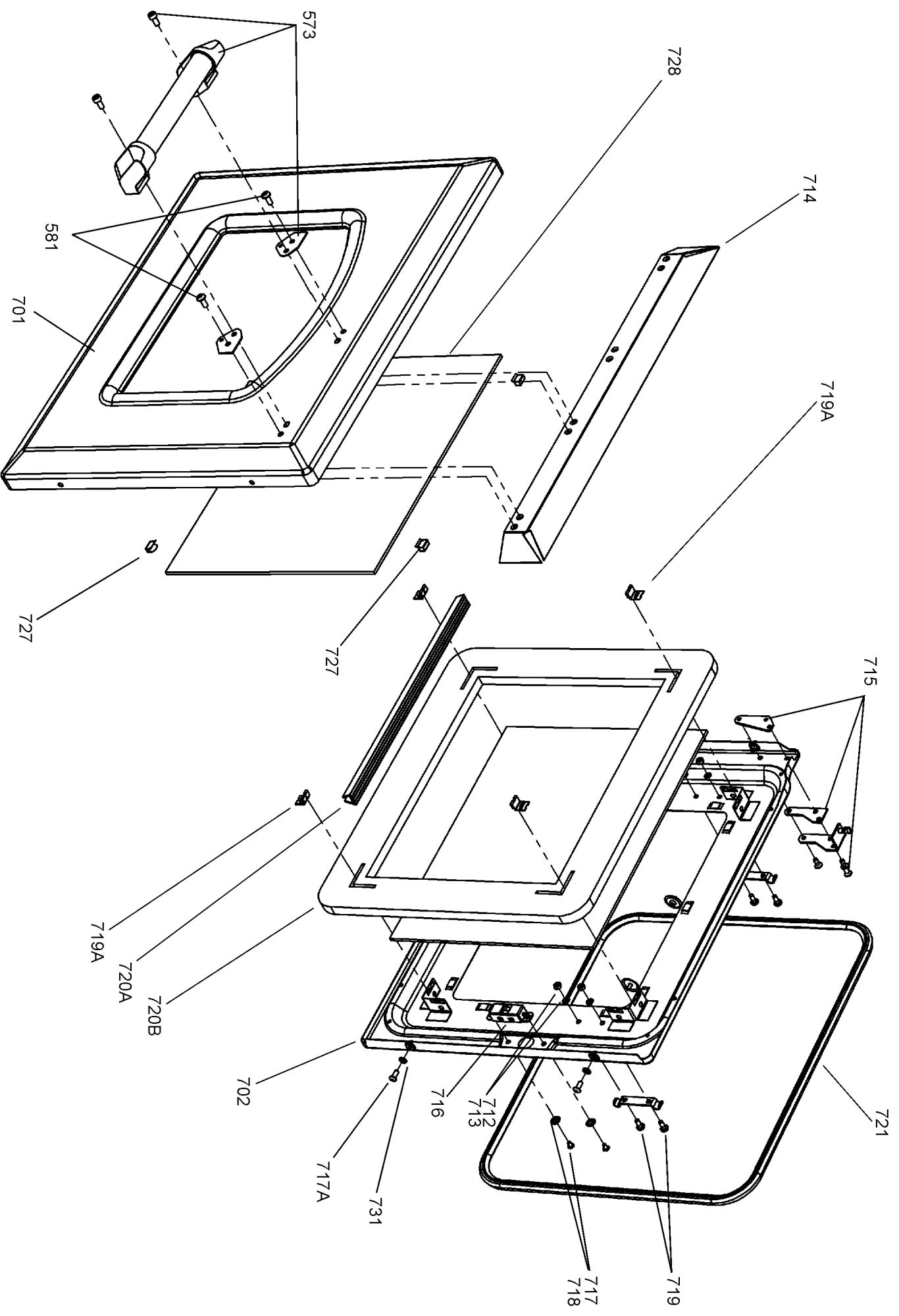




UPTO SER No119999 - 6778, 6779,
6780, 6781, 6782, 6783, 6784, 6785,
6818, 7461, 7819, 7820, 8033

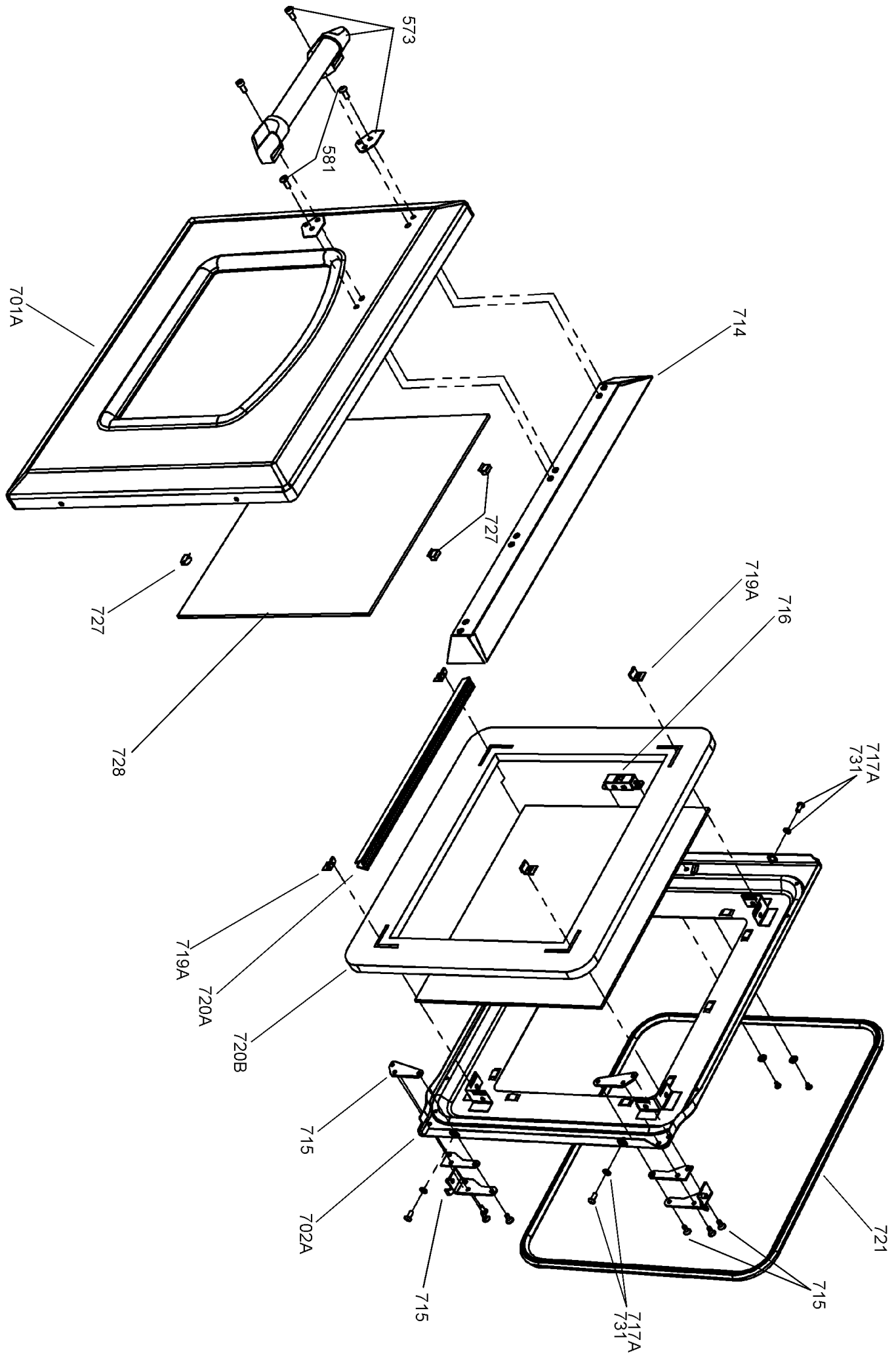
DSL 182 P06B
DATE 23.11.07 ISSUE STATUS 02

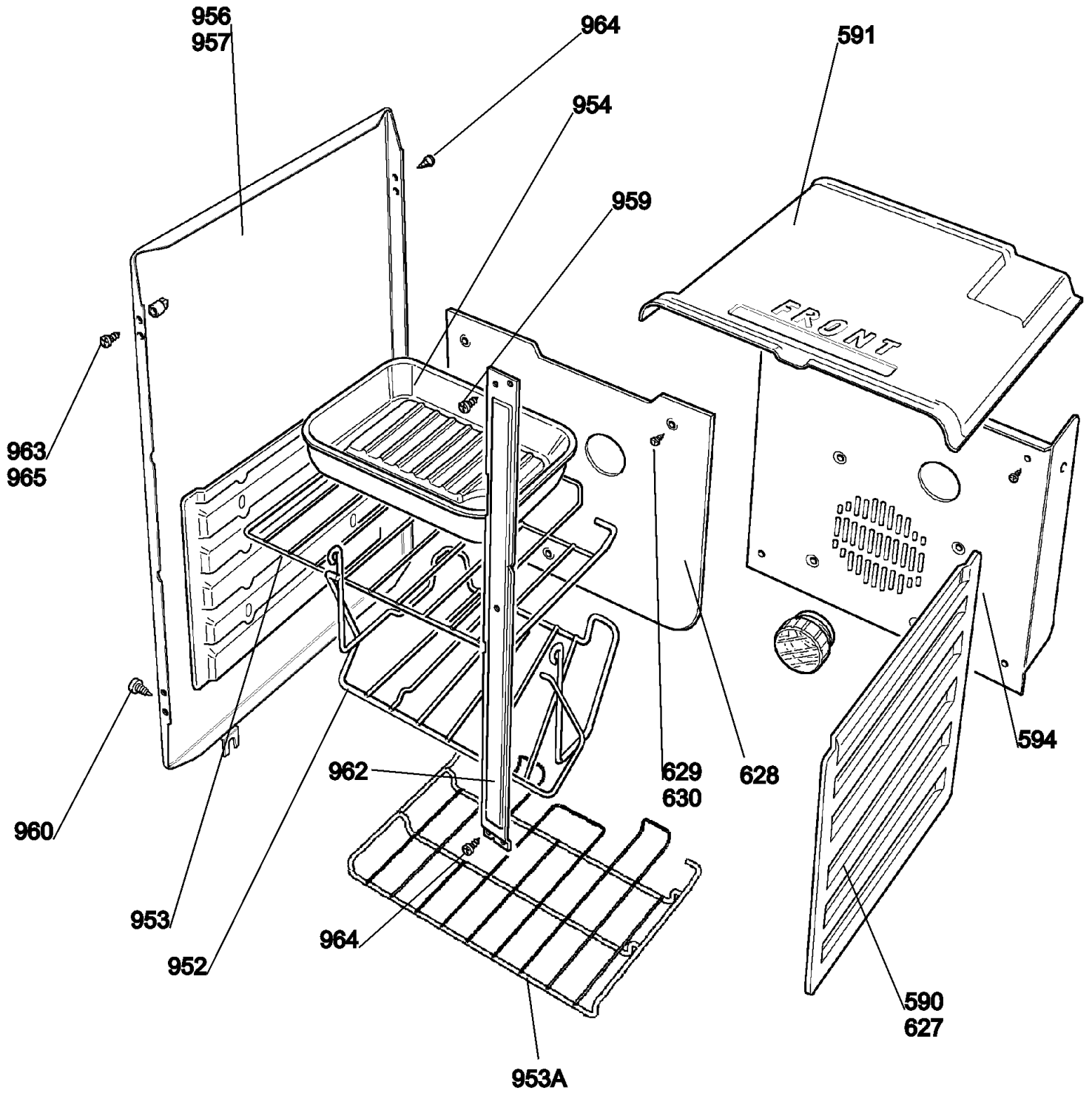




FROM SER No120000 - 6778, 6779, 6780, 6781, 6782,
6783, 6784, 6785, 6818, 7461, 7819, 7820, 8033

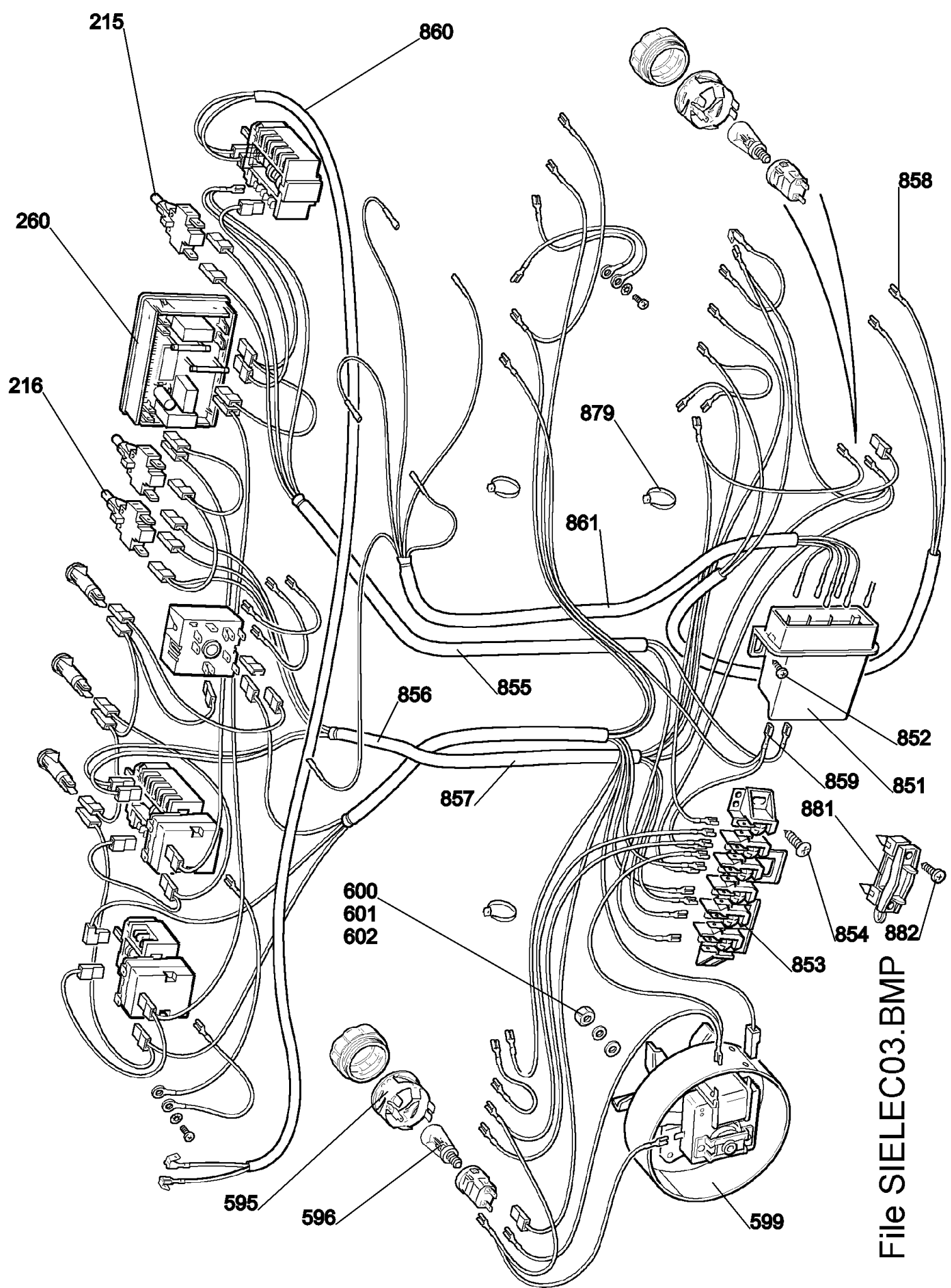
DSL0182 P06G
DATE 23.11.07 ISSUE STATUS 001



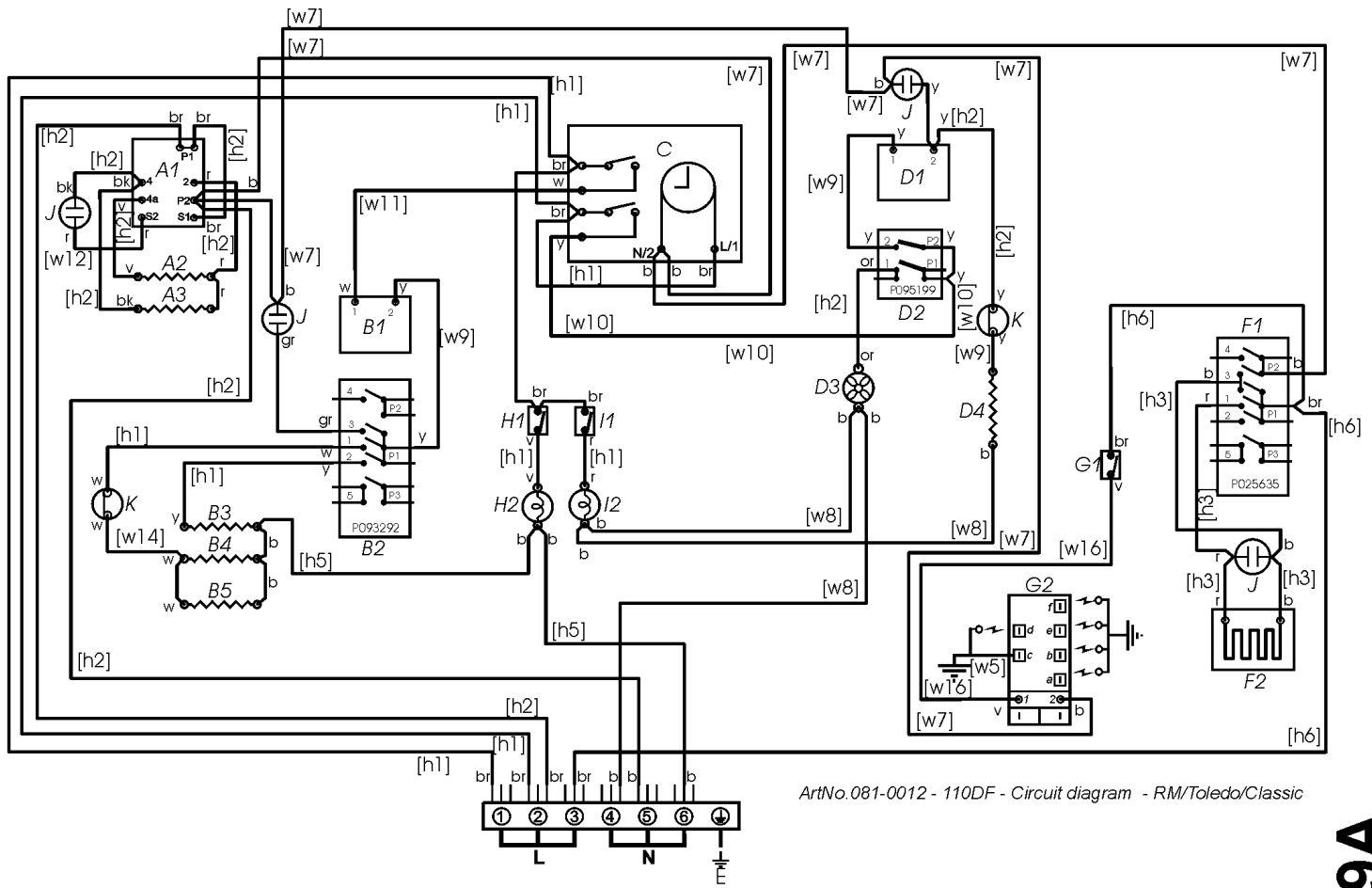


UP TO SERIAL No 121999

DATE 19.01.10 ISSUE STATUS 02



File SIELEC03.BMP



ArtNo.081-0012 - 110DF - Circuit diagram - RM/Toledo/Classic

Ref Number	Part number	Quantity	Remarks
w1	P025654	2	Wire (NI) - Earth to Hotplate
h1	P095562	1	Harness Asse mibly - LH Oven Elements / Timer / Oven Lights
h2	P035619	1	Harness Asse mibly - Grill Harness
h6	P049381	1	Harness Asse mibly - Warming Zone / Ignition Switch
h3	P094631	1	Harness Asse mibly - HARNESS 'C' WARMING PLATE
h4	P049296	1	Harness Asse mibly (NI) - HT HARNESS
w3	P025994	1	Wire (NI) - Earth LH Oven / TB / Cutout Plate / Oven Light
w4	P095450	1	Wire (NI) - Earth Link
w5	P049241	1	Wire - Generator Earth
w6	P094943	2	Wire (NI) - Earth Link T/Stat / Fascia Panel
w7	P049382	1	Wire - NEUTRAL LINKS - LH Oven
w8	P025995	1	Wire - RH Oven Element / Light / Fan / TB
w9	P037863	3	Wire - Yellow Link Wires
w10	P094949	1	Wire - Timer / RH T/Stat switch
w11	P094950	1	Wire - Timer / LH T/Stat switch
w12	P094951	1	Wire - Grill Reg / Grill Neon Link
w13	P036115	1	Wire - RH OVEN NEON WIRE
w14	P095566	1	Wire - Top Element Neutral to Browning Element
h5	P094927	1	Harness Asse mibly - WIRING HARNESS
w15	P055374	2	Wire (NI) - Grill Earths
w16	P049243	1	Wire - WIRE ASSEMBLY

NI Not Illustrated
w - Single Cable / Single Cable with multiple terminations
h - Harness Assembly (Including Single Wires that are Sheathed)

Code	Description
A1	Grill energy regulator
A2	Grill element left hand side
A3	Grill element right hand side
B1	Left hand oven thermostat
B2	Left hand oven switch
B3	Left hand oven browning element
B4	Left hand oven top element
B5	Left hand oven bottom element
C	Clock / Oven Timer

Code	Description
D1	Right hand oven thermostat
D2	Right hand oven switch
D3	Right hand oven element
D4	Right hand oven fan
F1	Warmer Control
F2	Warmer Zone
G1	Ignition switch
G2	Ignition spark generator
H1	Left hand oven light switch
H2	Right hand oven light switch
I1	Neon
I2	Thermal cutout

Code	Colour
b	Blue
br	Brown
bk	Black
or	Orange
r	red
v	violet
w	White
y	yellow
gr	Grey

FALCON PROF / CLASSIC / TOLEDO 110 DF/NG

DSL 0182 P09A

ISSUE STATUS 01 DATE 16.01.10

FROM SERIAL No 122000