

CLASSIC 110 CERAMIC

DATE 30.11.04

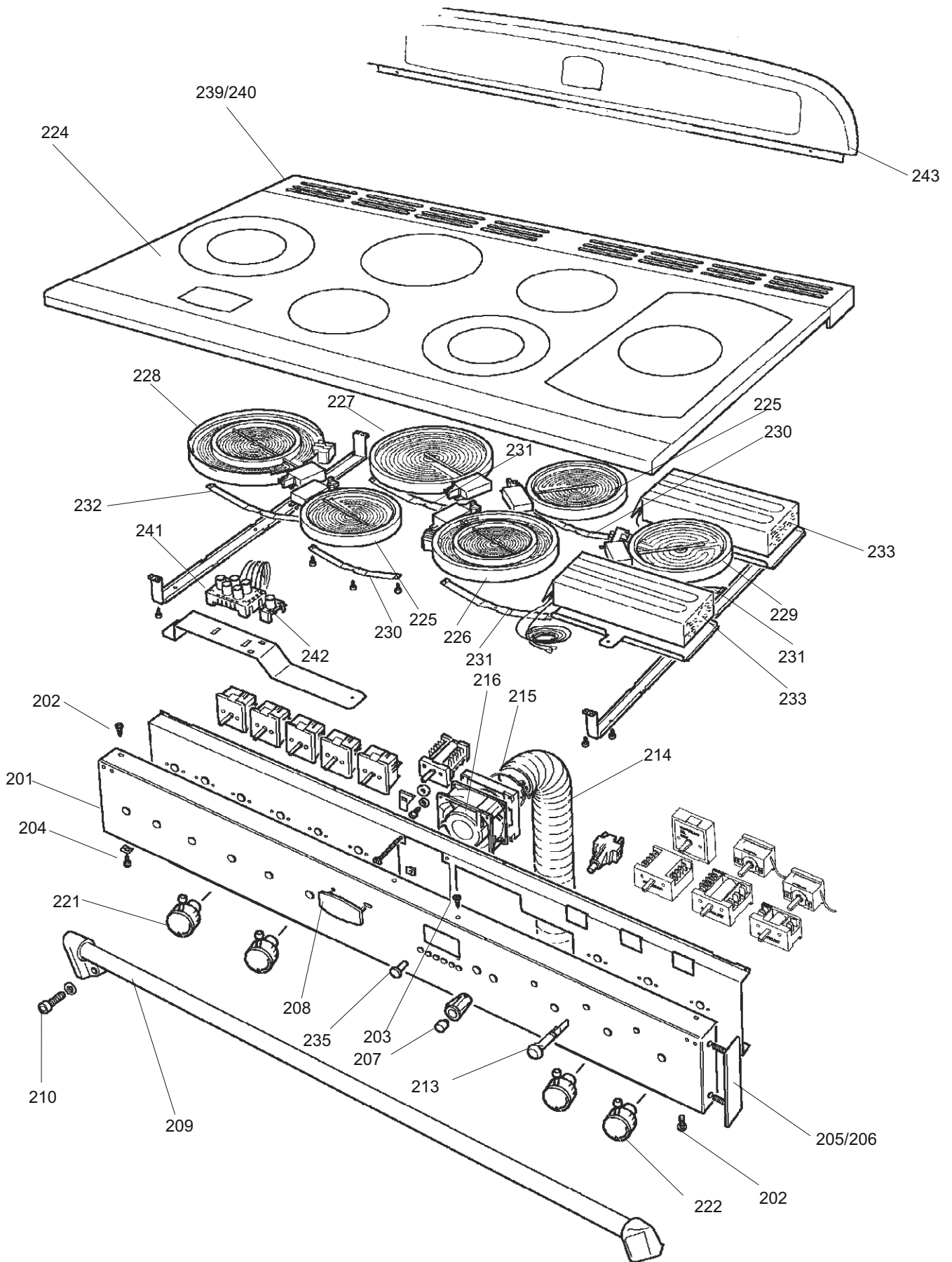
DSL0211 P00  
ISSUE STATUS 02



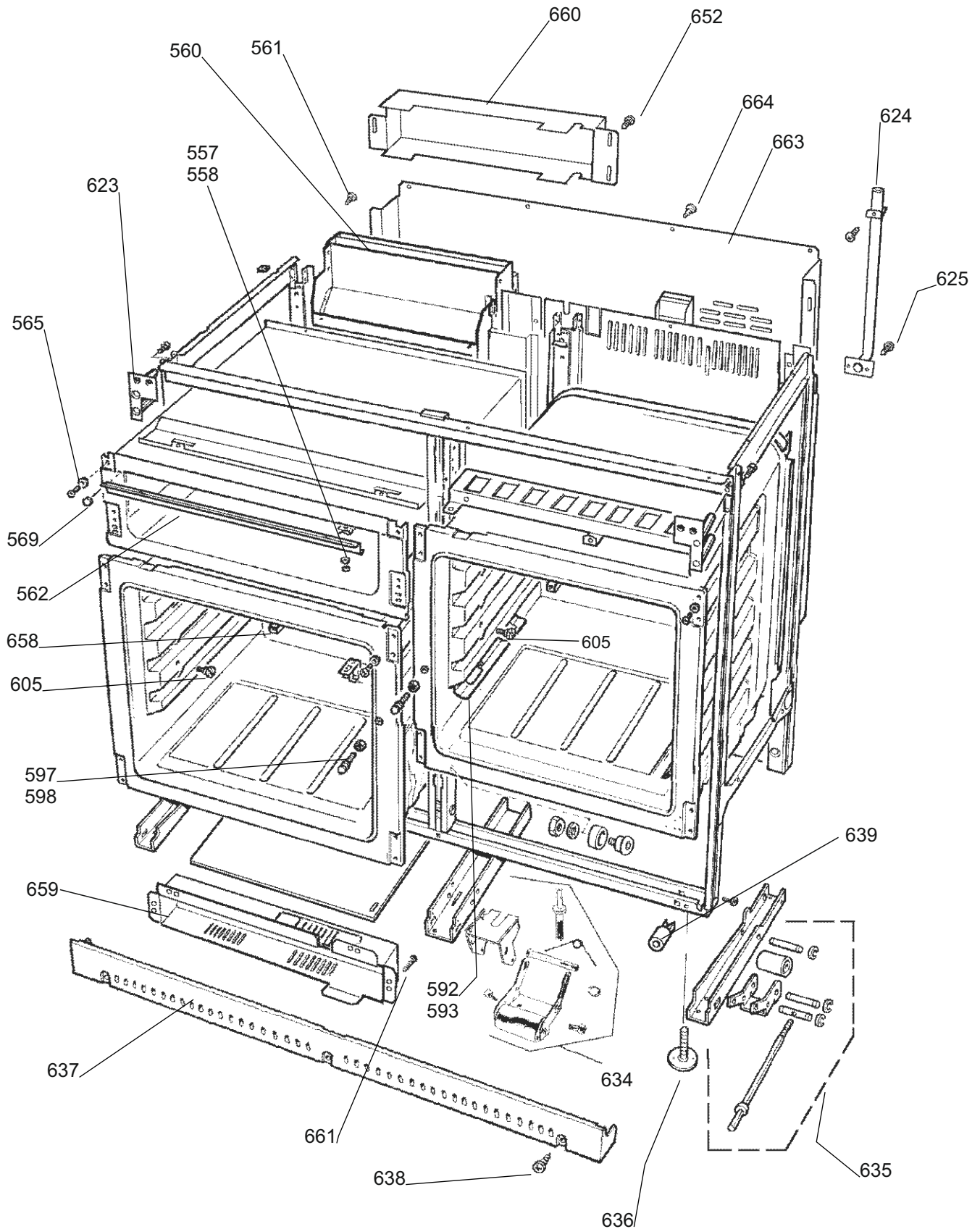
APPLIANCE NAME:  
CLASSIC 110 CERAMIC

DATE 26.07.06

DSL0211 P01  
ISSUE STATUS 02



**COOKER TOP**

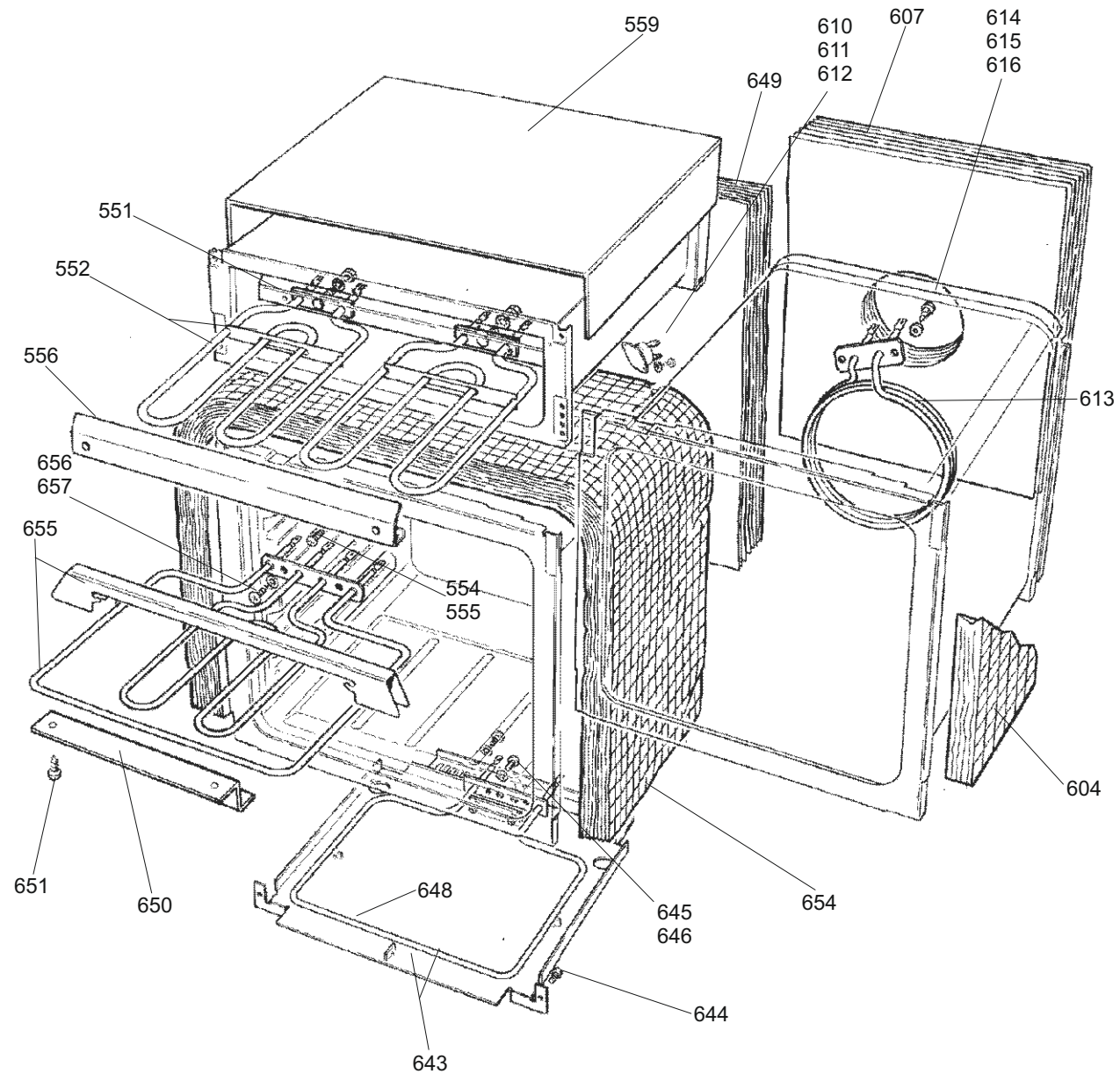


**CHASSIS AND FRAME ASSEMBLY**

APPLIANCE NAME:  
CLASSIC 110 CERAMIC

DSL0211 P03  
ISSUE STATUS 01

DATE 29.01.04

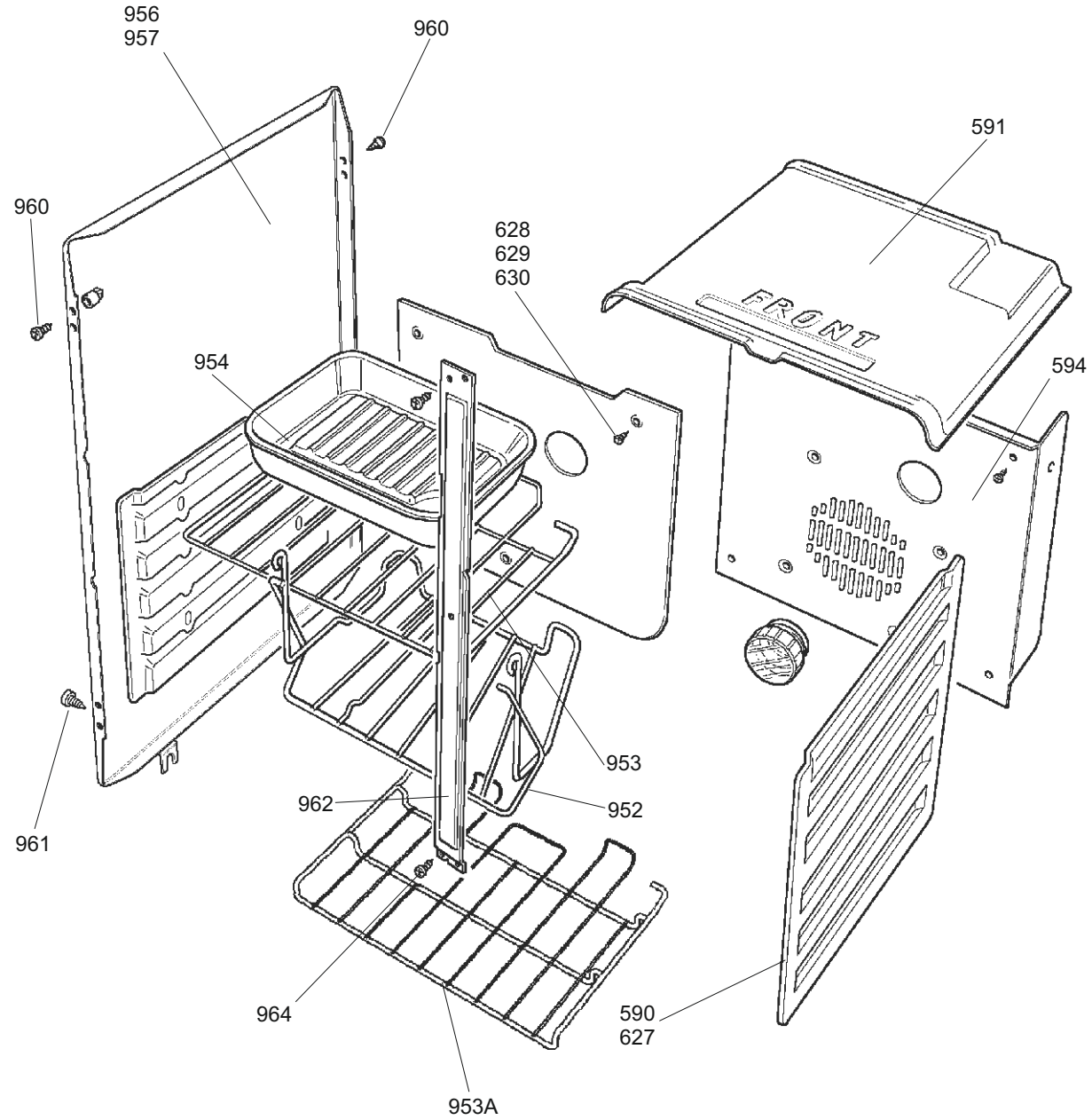


**LH OVEN AND GRILL CHAMBER**

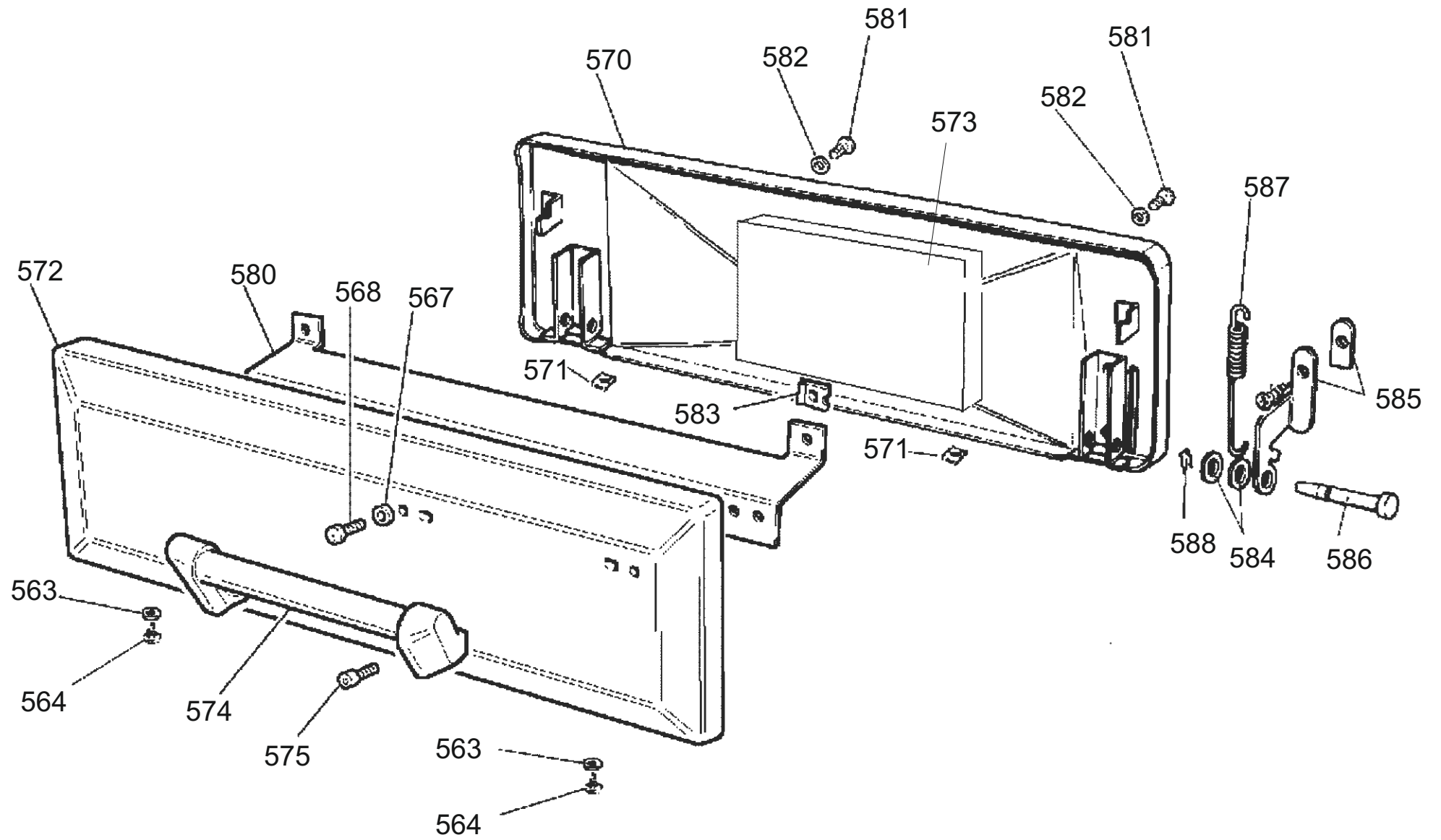
APPLIANCE NAME:  
CLASSIC 110 CERAMIC

DSL0211 P04  
ISSUE STATUS 02

DATE 29.06.04



## OVEN ACCESSORIES

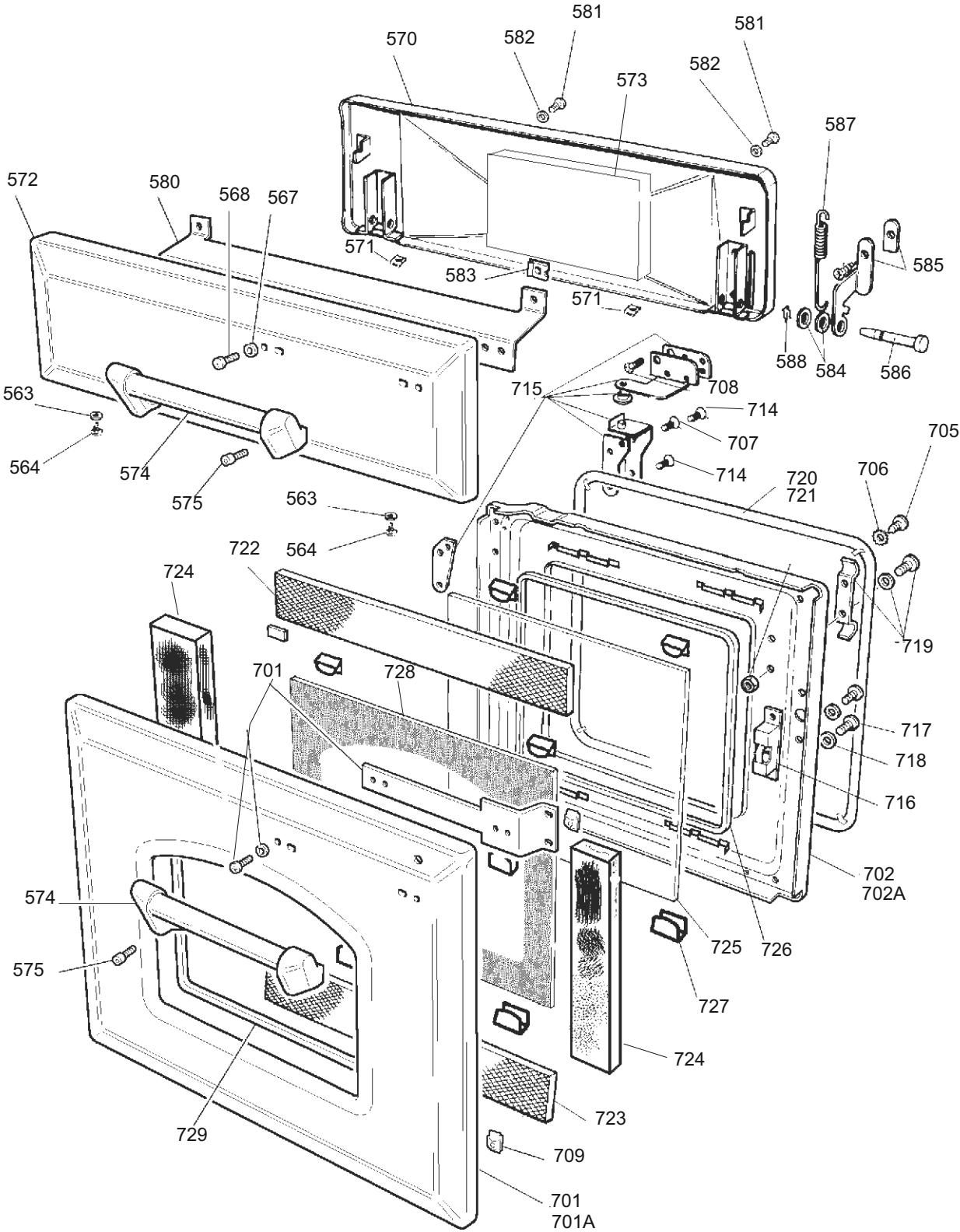


**GRILL DOOR**

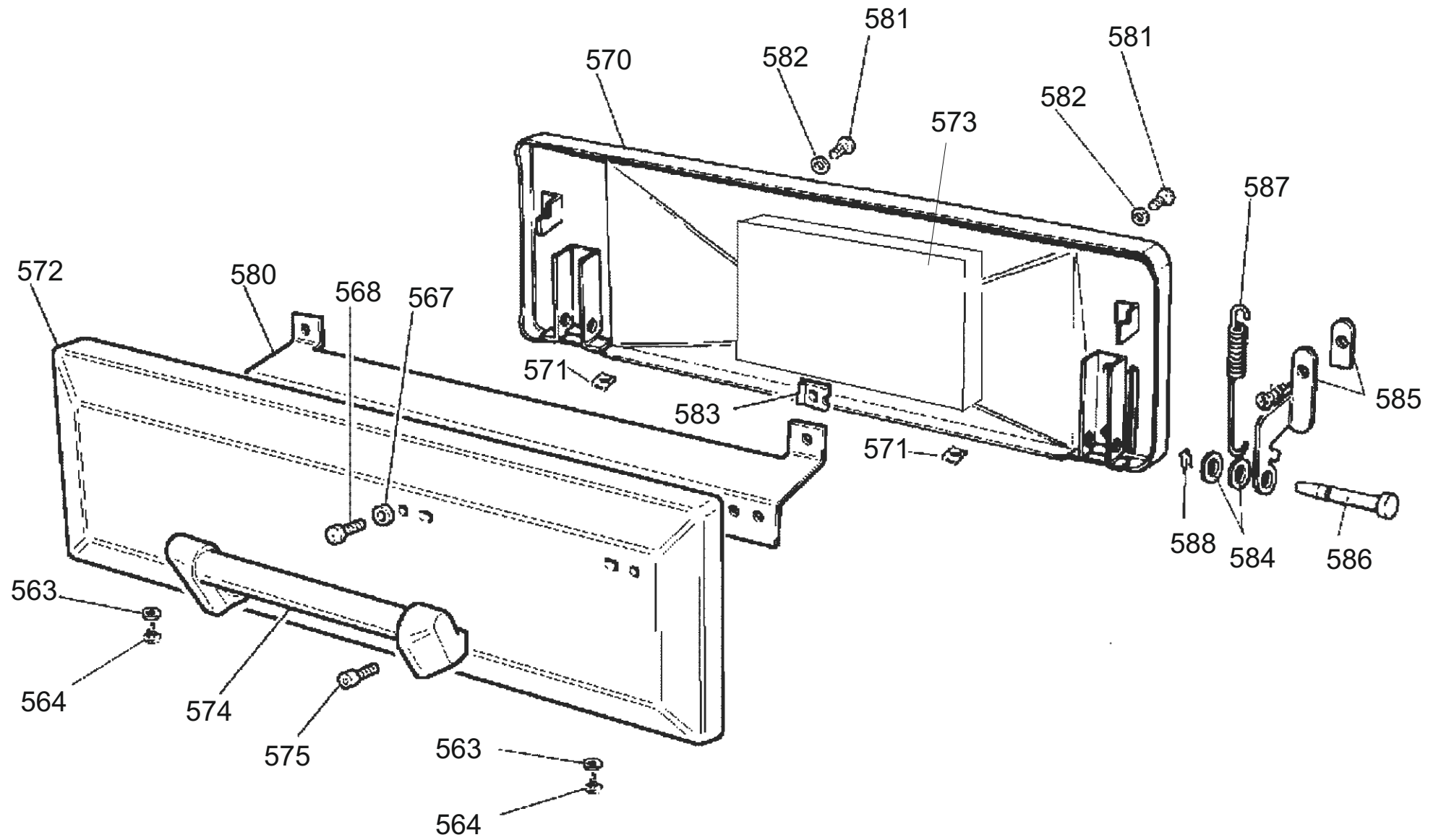
APPLIANCE NAME:  
CLASSIC 110 CERAMIC  
UPTO SER No119999

DATE 26.11.97

DSL211 P05  
ISSUE STATUS 02



**LH AND RH OVEN DOOR PLUS GRILL DOOR**

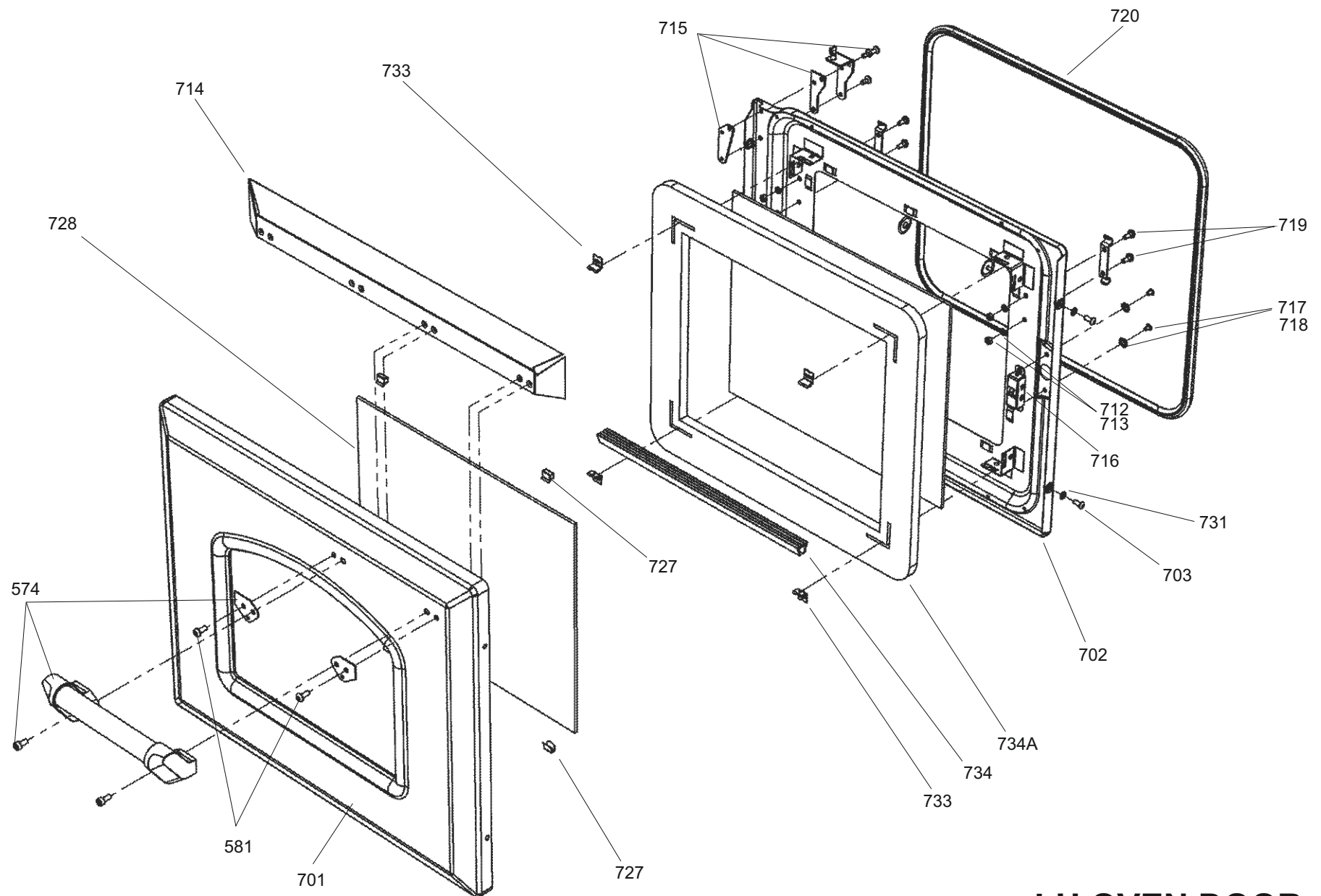


**GRILL DOOR**



ALL MODELS  
FROM SER No120000

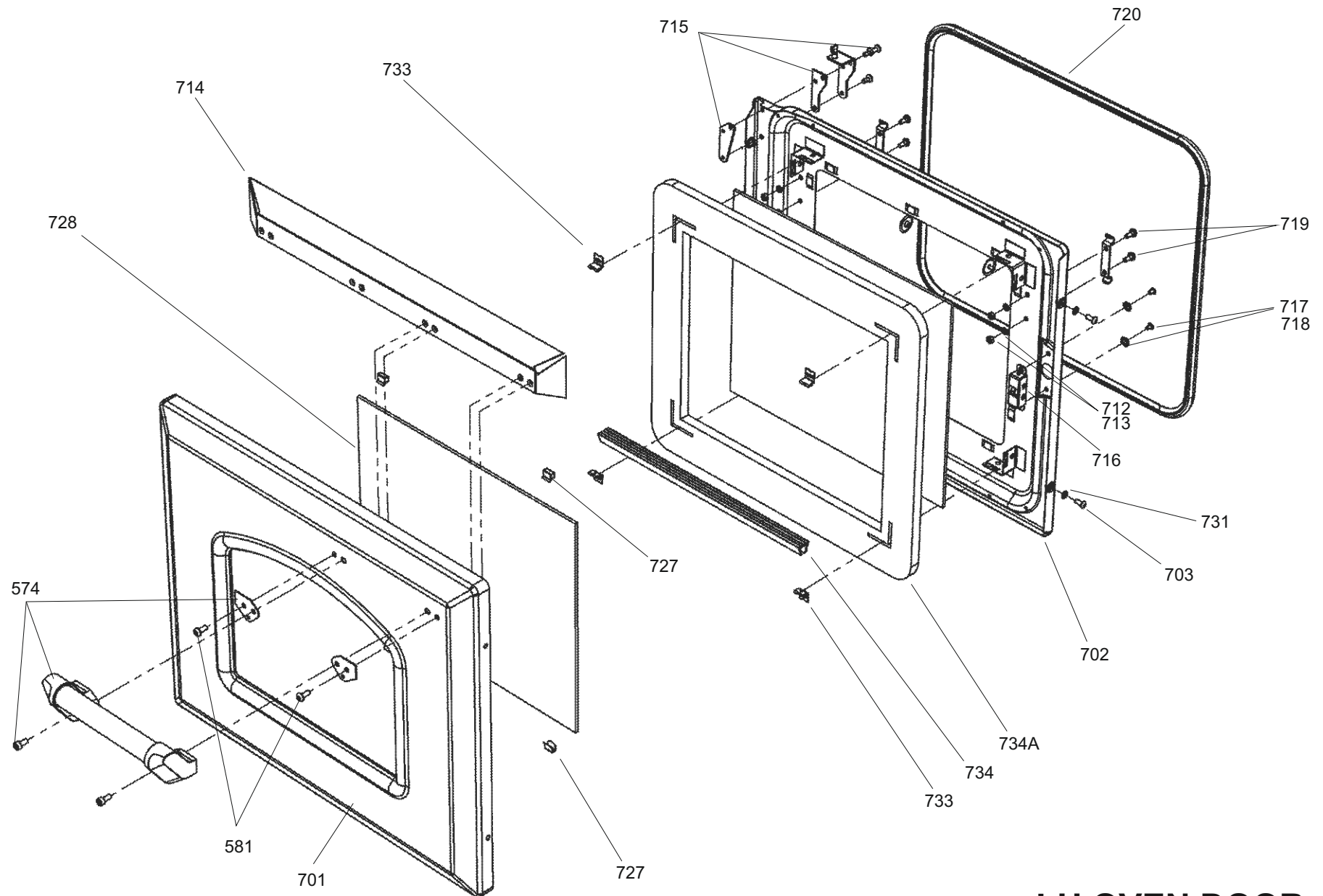
DSL0211 P05A  
DATE 26.11.07 ISSUE STATUS 001



**LH OVEN DOOR**

ALL MODELS

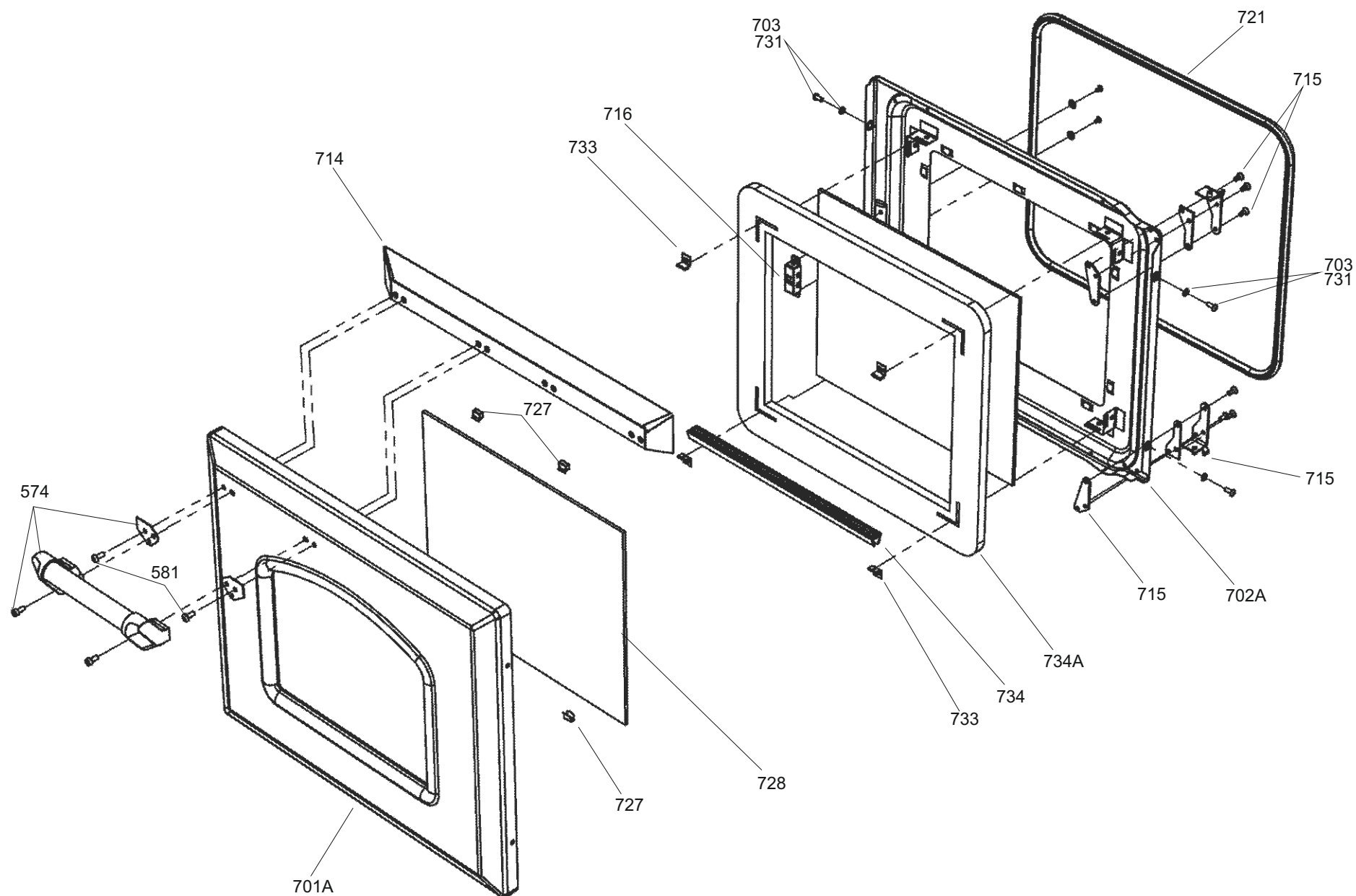
DSL0211 P05A  
DATE 26.11.07 ISSUE STATUS 001



**LH OVEN DOOR**

ALL MODELS  
FROM SER No120000

DSL0211 P05B  
DATE 26.11.07 ISSUE STATUS 001

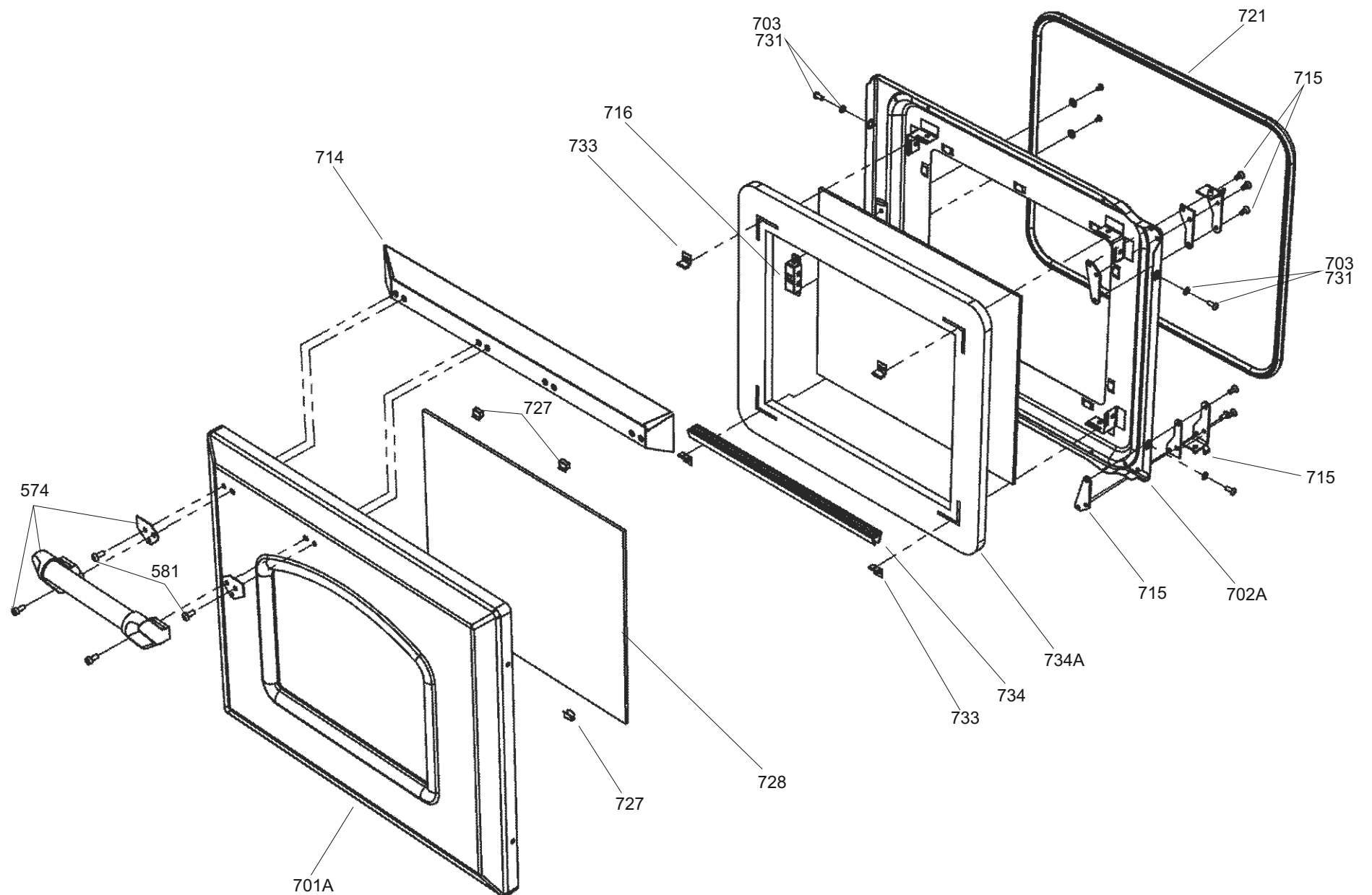


**RH OVEN DOOR**

ALL MODELS

DSL0211 P05B

DATE 26.11.07 ISSUE STATUS 001



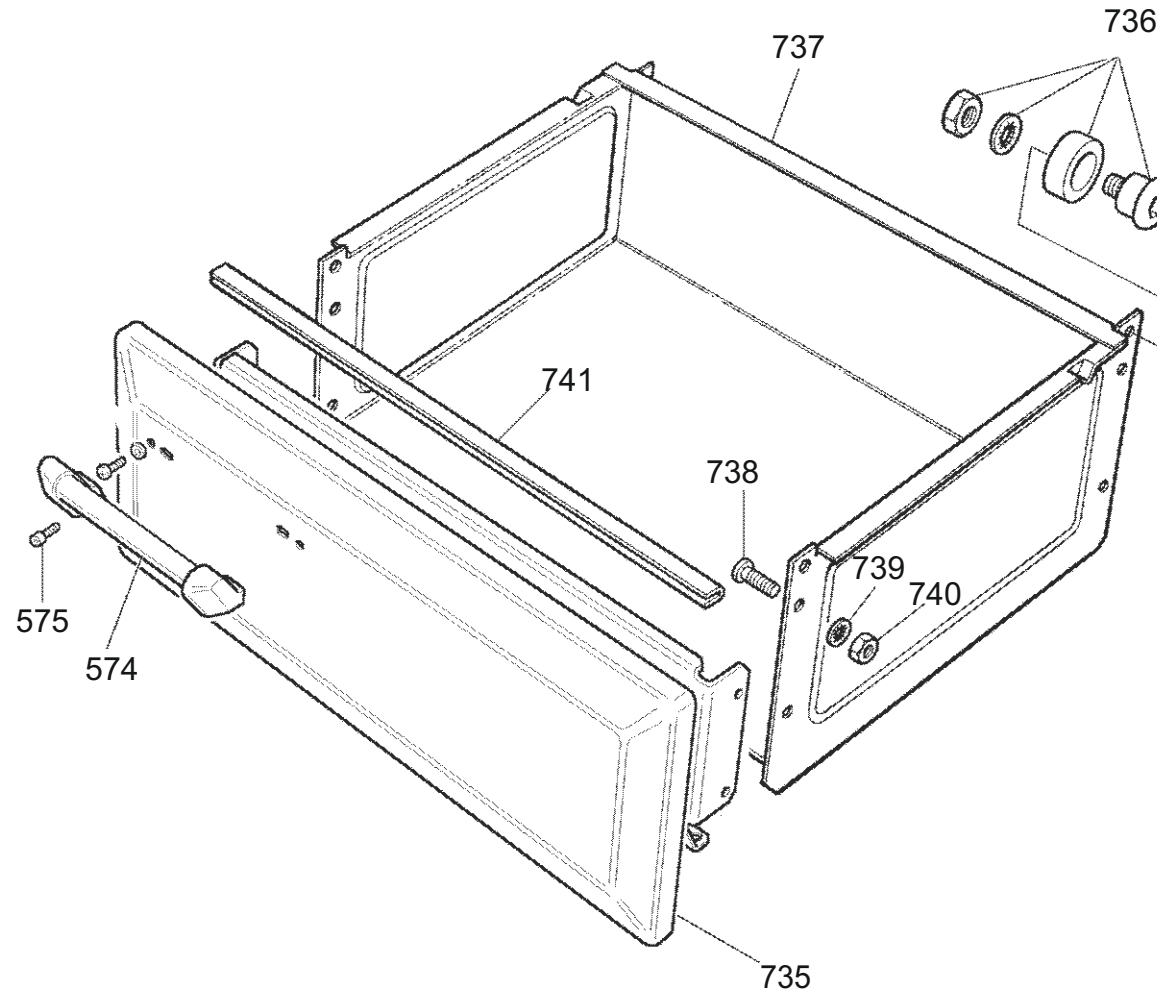
**RH OVEN DOOR**

**APPLIANCE NAME:  
CLASSIC 110 CERAMIC**

**DSL0211 P06**

DATE 20.10.04

ISSUE STATUS 02

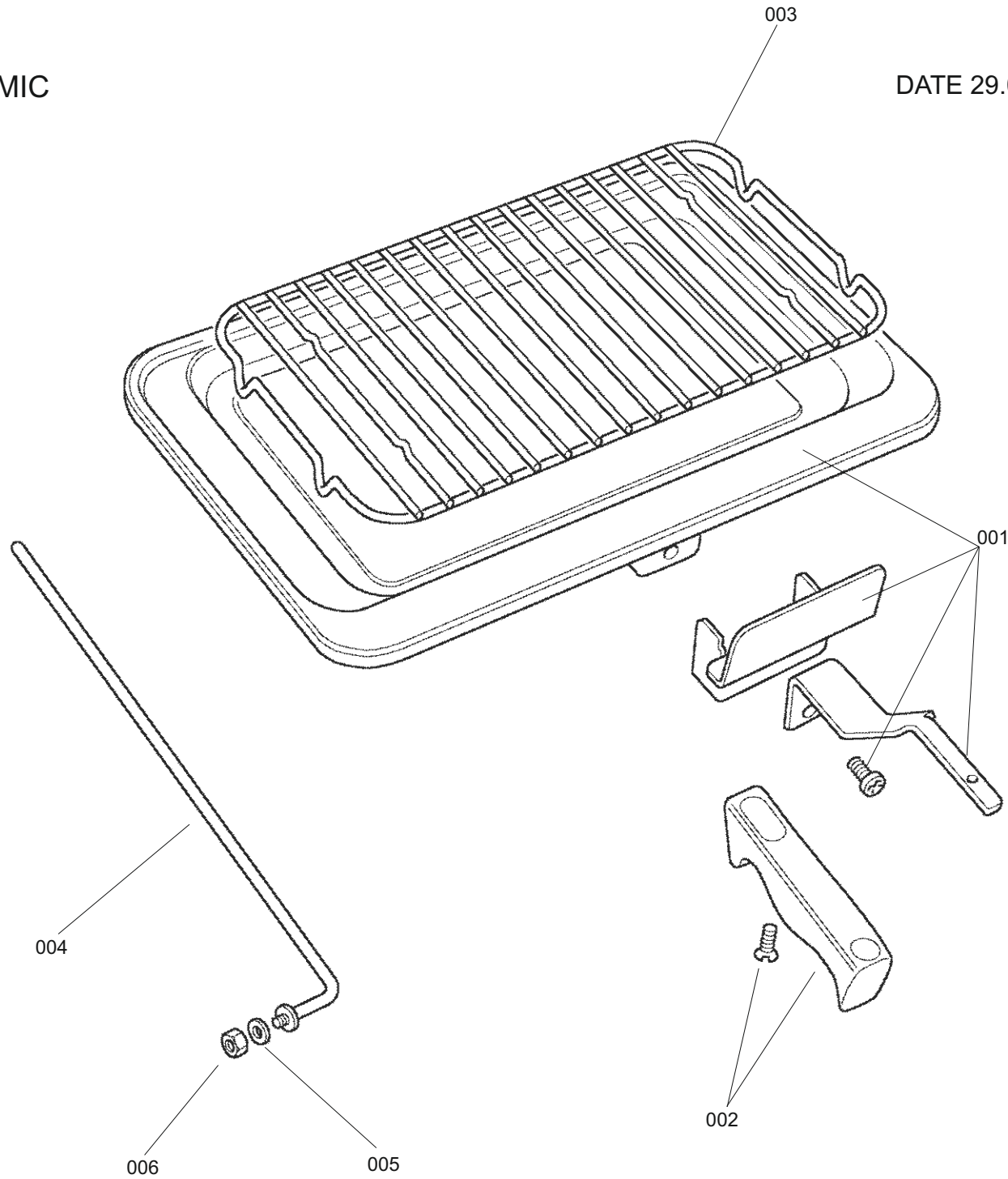


**STORAGE DRAWER**

APPLIANCE NAME:  
CLASSIC 110 CERAMIC

DATE 29.01.04

DSL0211 P07  
ISSUE STATUS 01

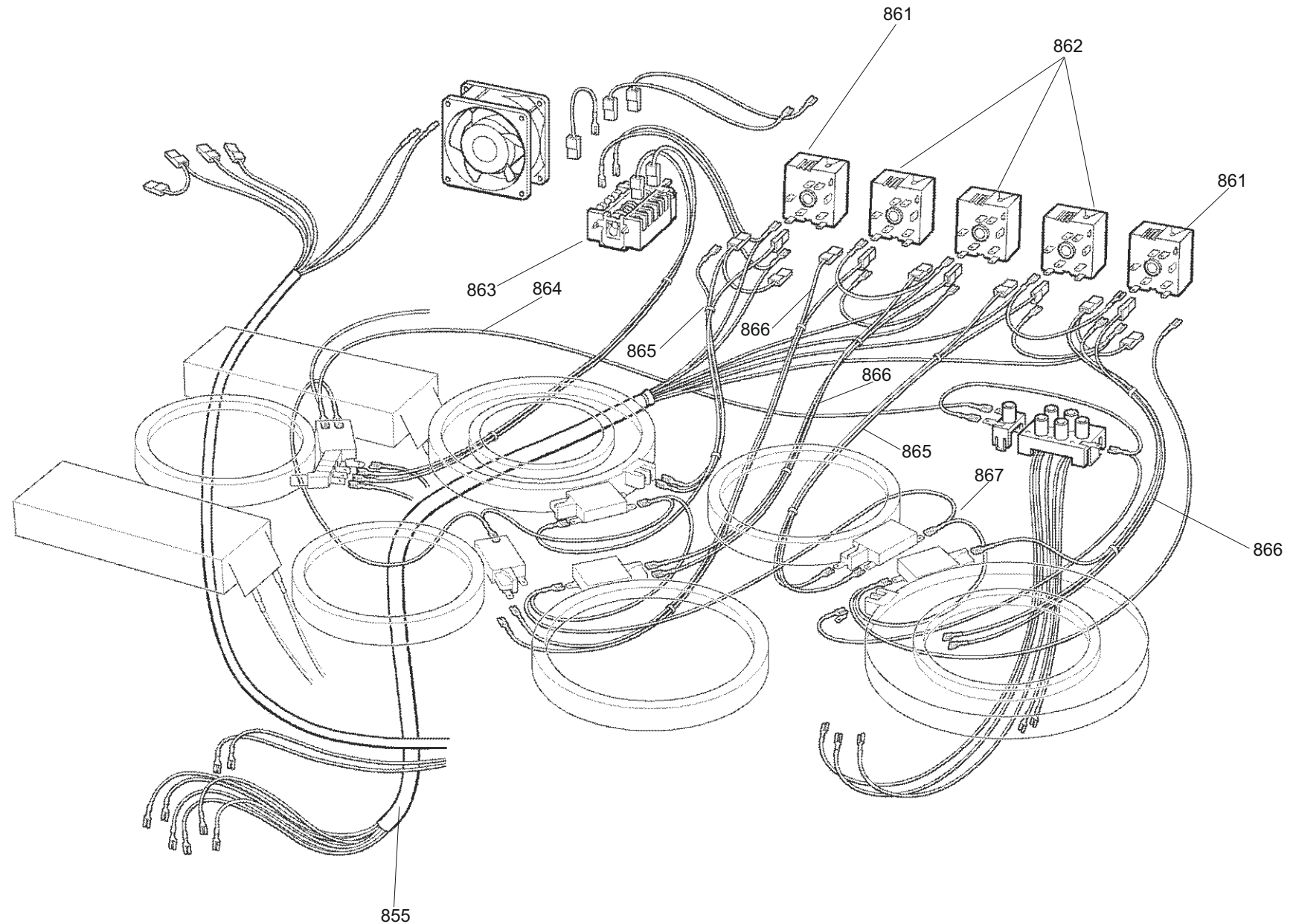


**GRILL PAN**

APPLIANCE NAME:  
CLASSIC 110 CERAMIC

DATE 26.07.06

DSL0211 P08  
ISSUE STATUS 02

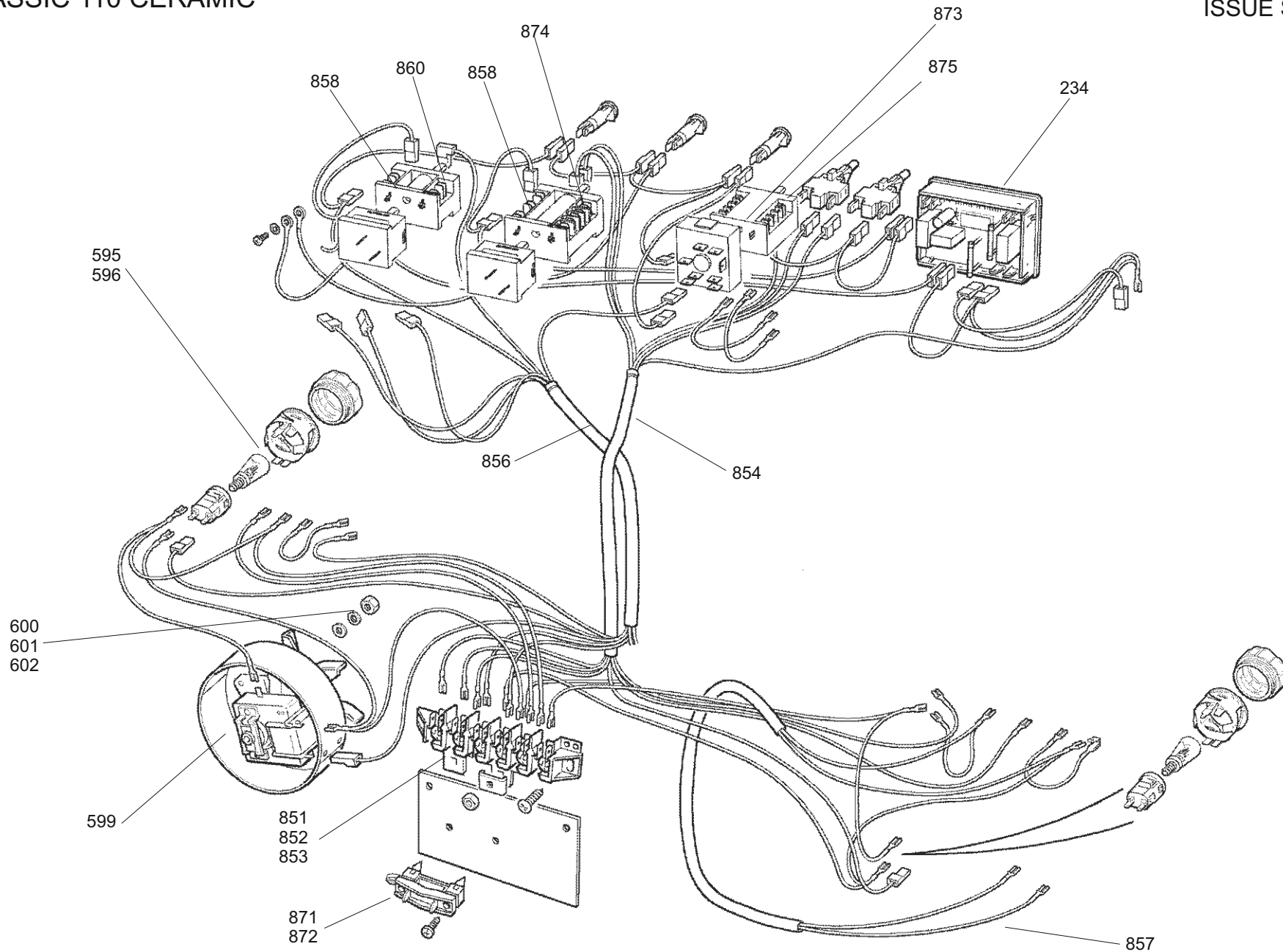


**WIRING DIAGRAM**

ALL MODELS  
CLASSIC 110 CERAMIC

DATE 25.07.06

DSL0211 P09  
ISSUE STATUS 02



**WIRING DIAGRAM**