

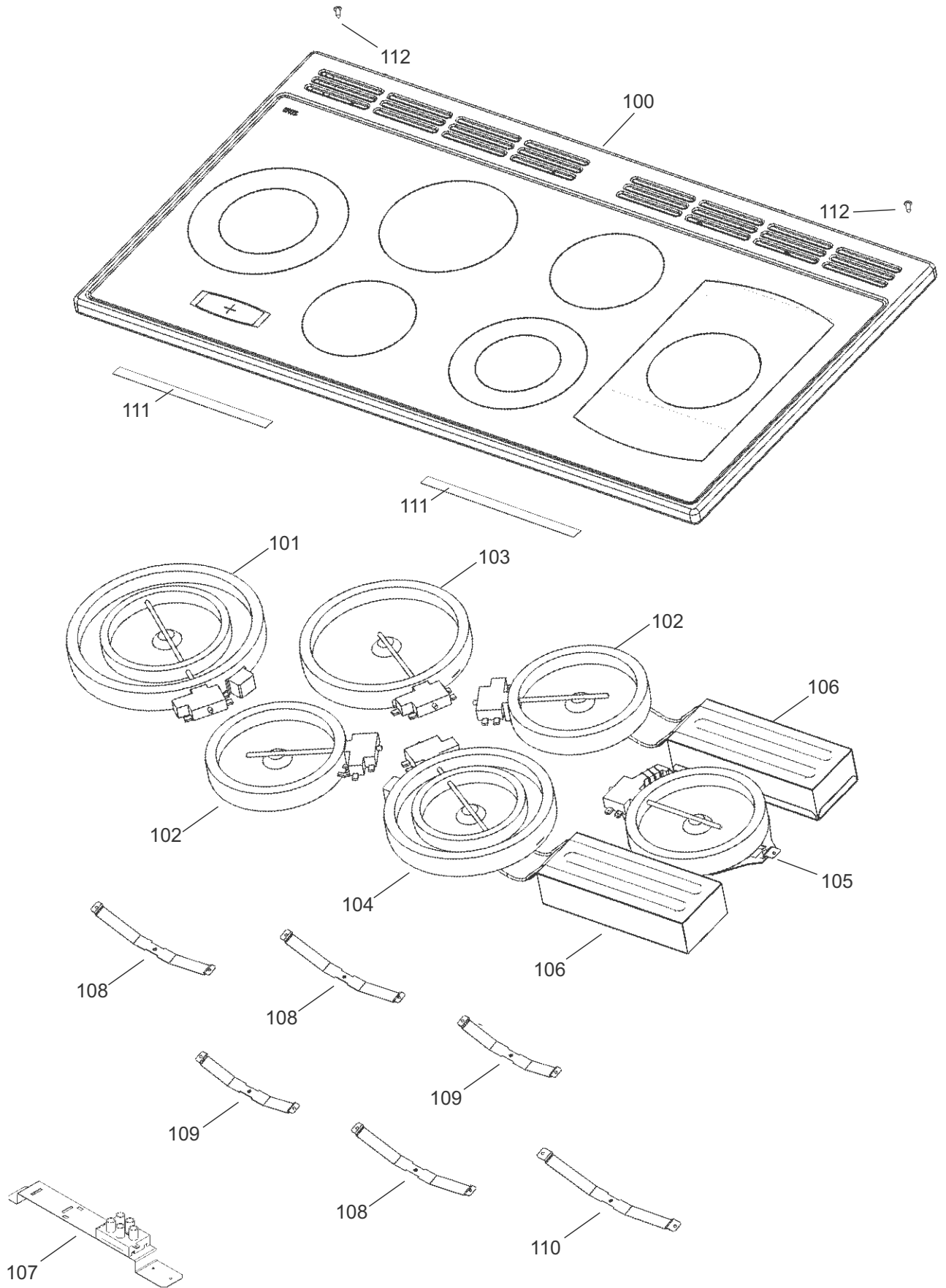
**FALCON / RANGEMASTER
CLASSIC 110 CERAMIC**

DATE 23.02.18

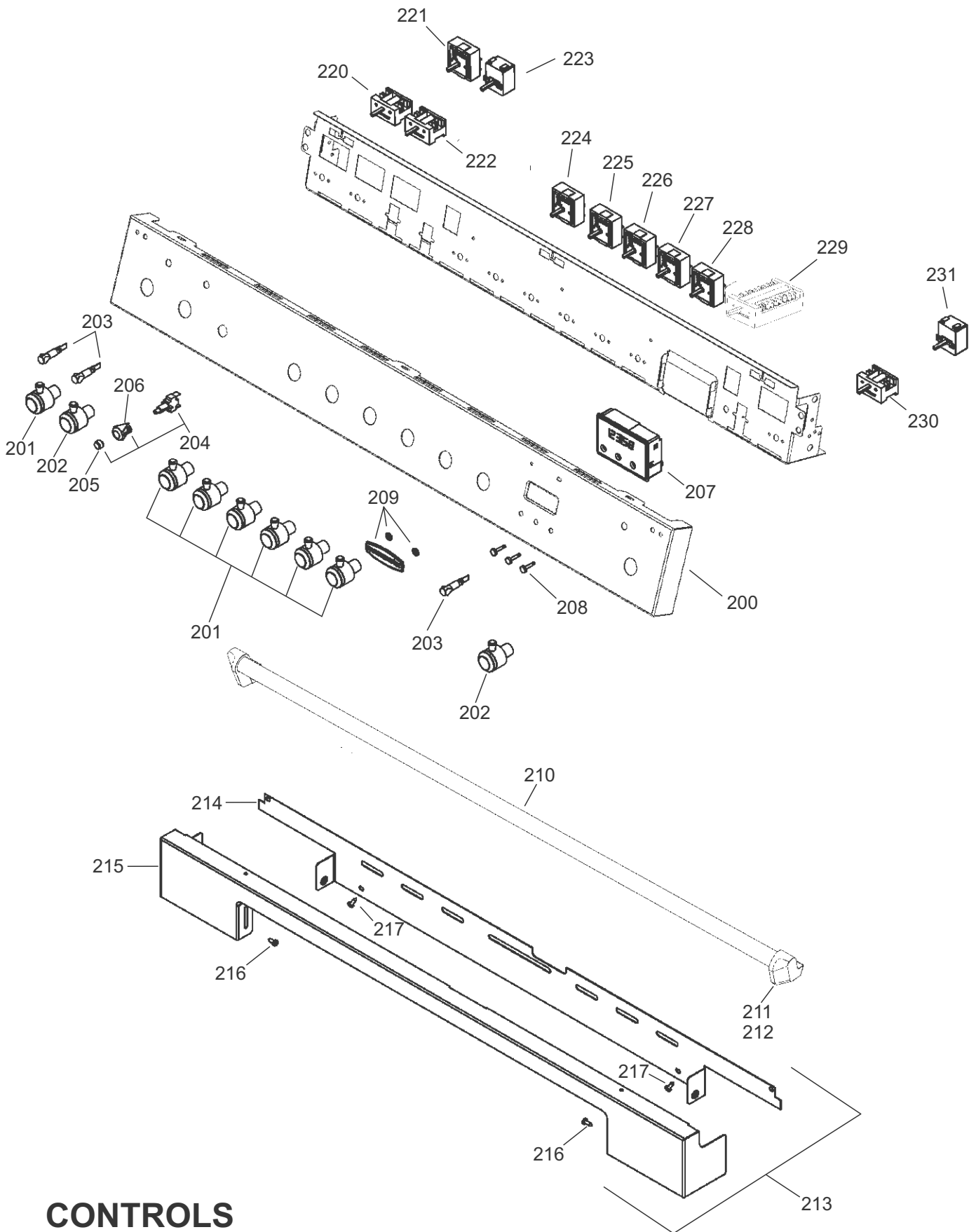
DSL0732 P00

ISSUE:01





CERAMIC HOTPLATE ASSEMBLY

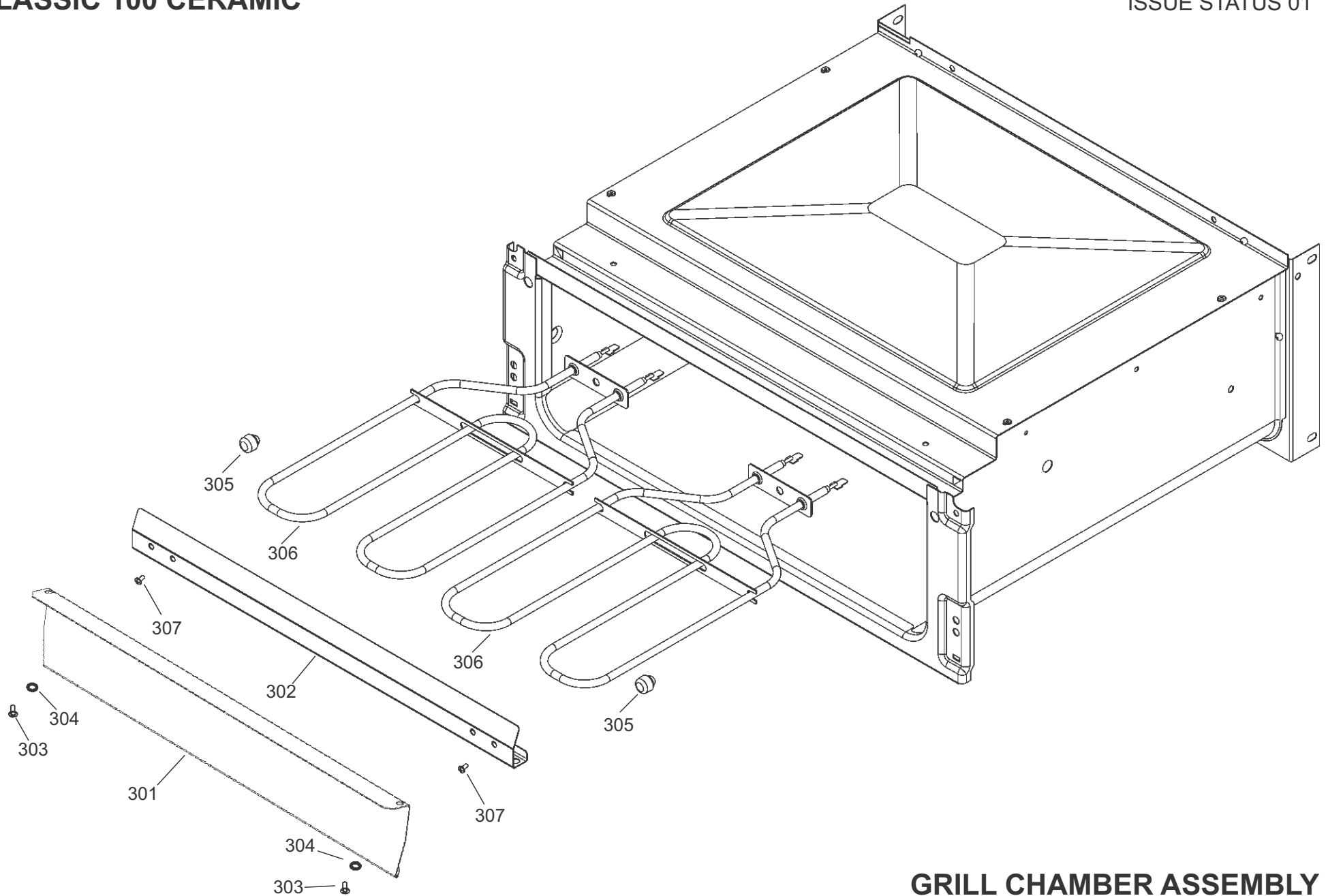


CONTROLS

**FALCON / RANGEMASTER
CLASSIC 100 CERAMIC**

DATE 04.04.18

DSL0732 P03
ISSUE STATUS 01

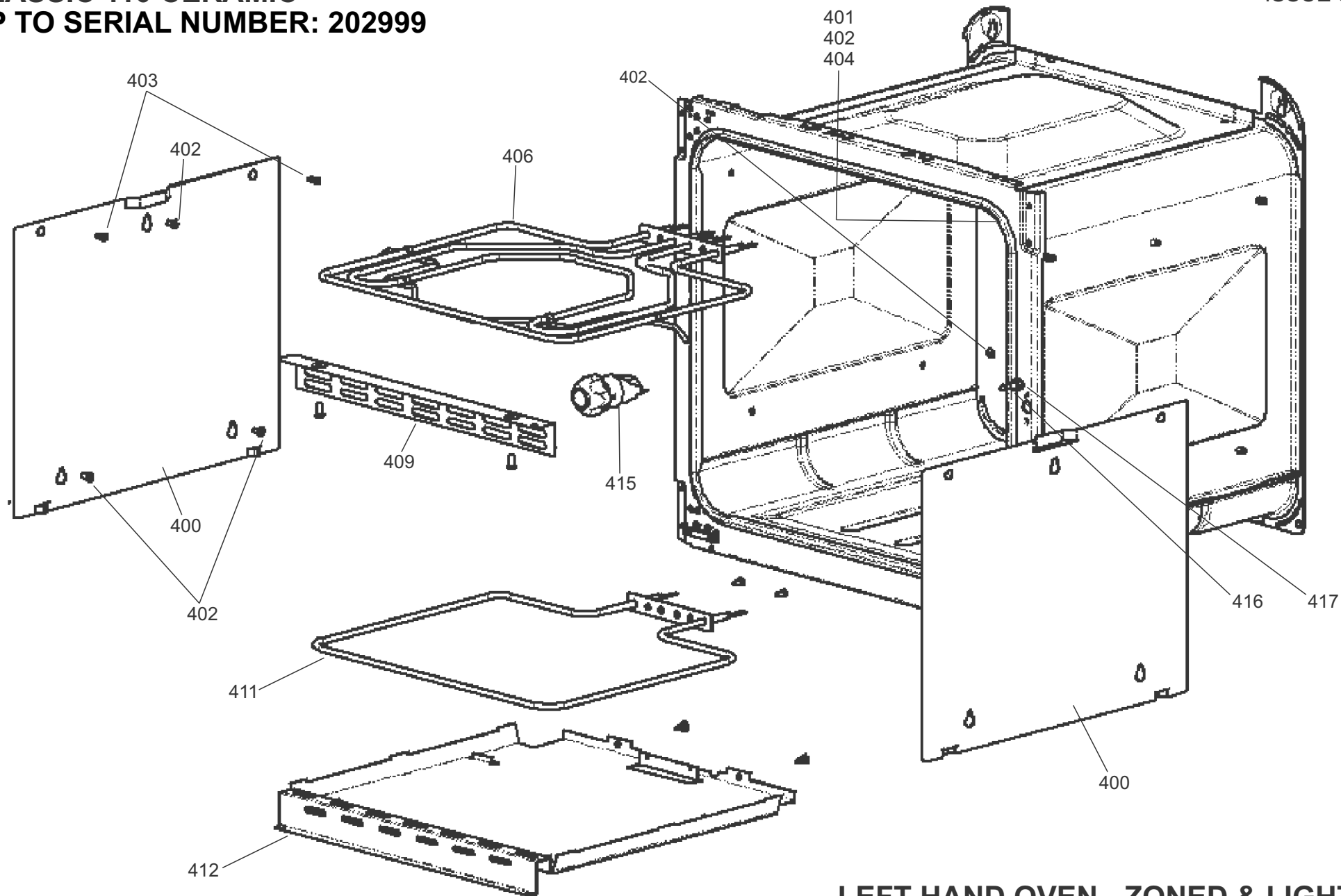


GRILL CHAMBER ASSEMBLY

**FALCON / RANGEMASTER
CLASSIC 110 CERAMIC
UP TO SERIAL NUMBER: 202999**

DATE: 03.09.18

DSL0732 P04
ISSUE 02

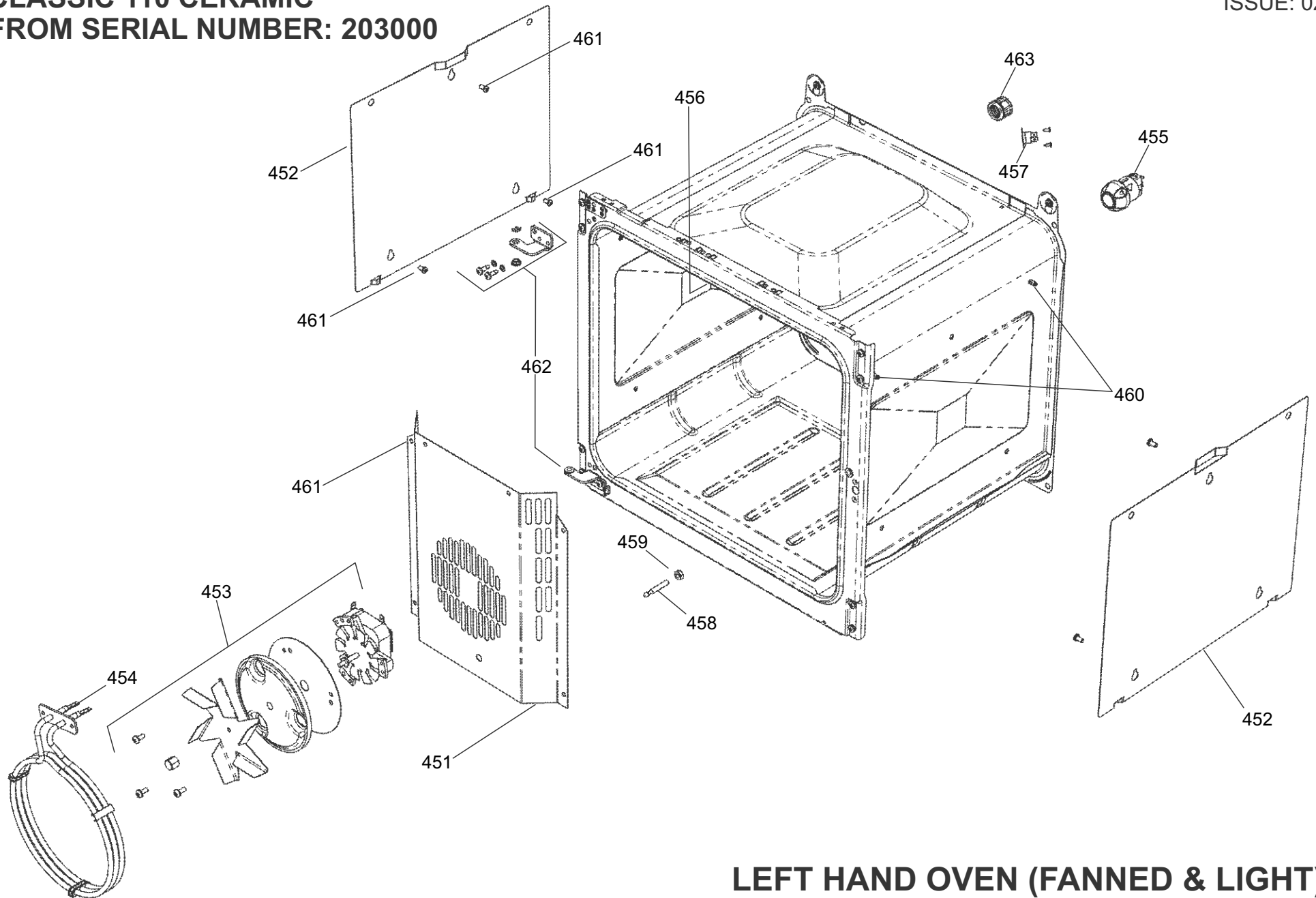


LEFT HAND OVEN - ZONED & LIGHT)

**FALCON / RANGEMASTER
CLASSIC 110 CERAMIC
FROM SERIAL NUMBER: 203000**

DATE: 03.09.18

DSL0732 P04A
ISSUE: 02

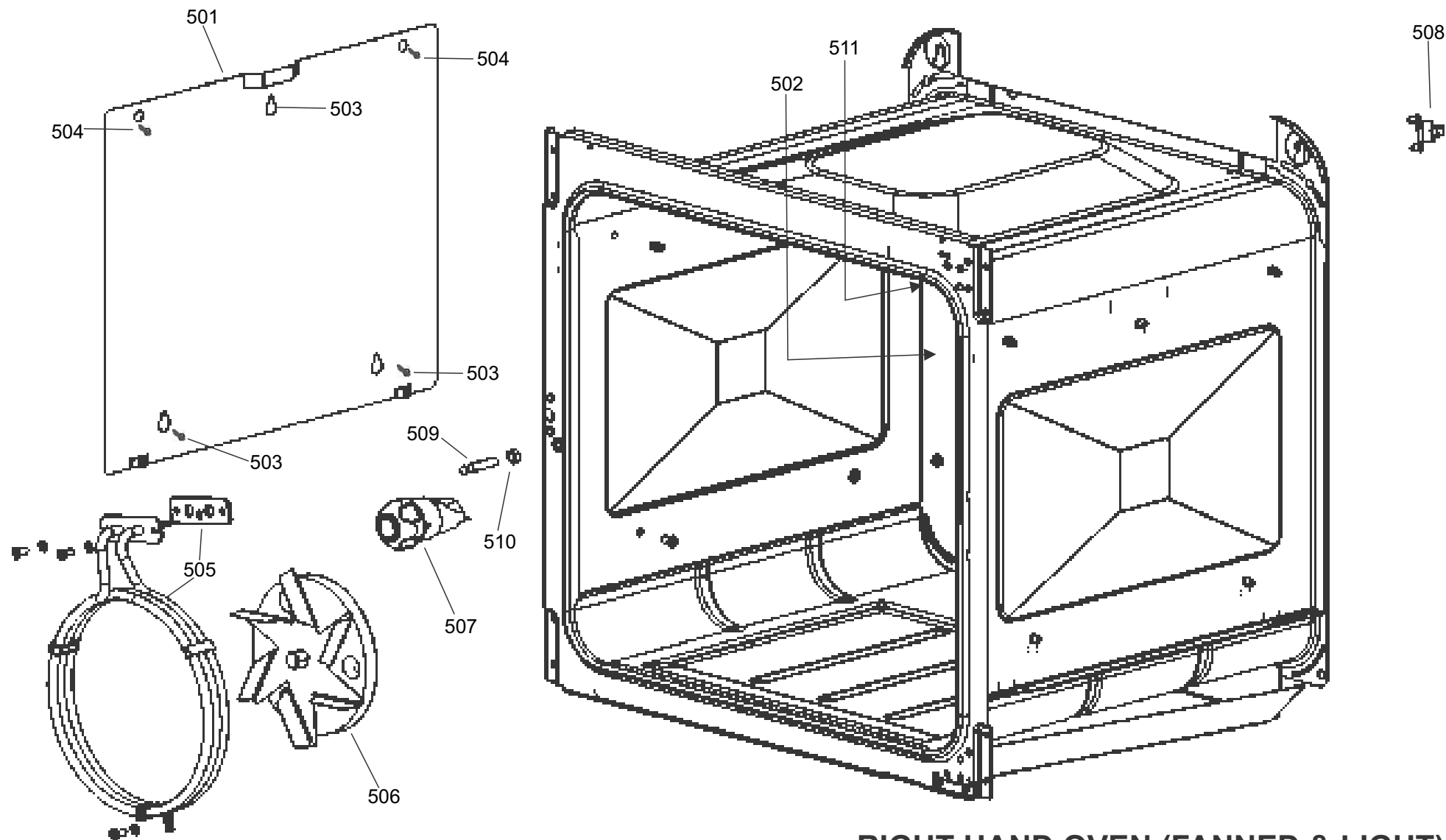


LEFT HAND OVEN (FANNED & LIGHT)

**FALCON / RANGEMASTER
CLASSIC 110 CERAMIC
UP TO SERIAL NUMBER: 202999**

DATE: 03.09.18

DSL0732 P05
ISSUE 02

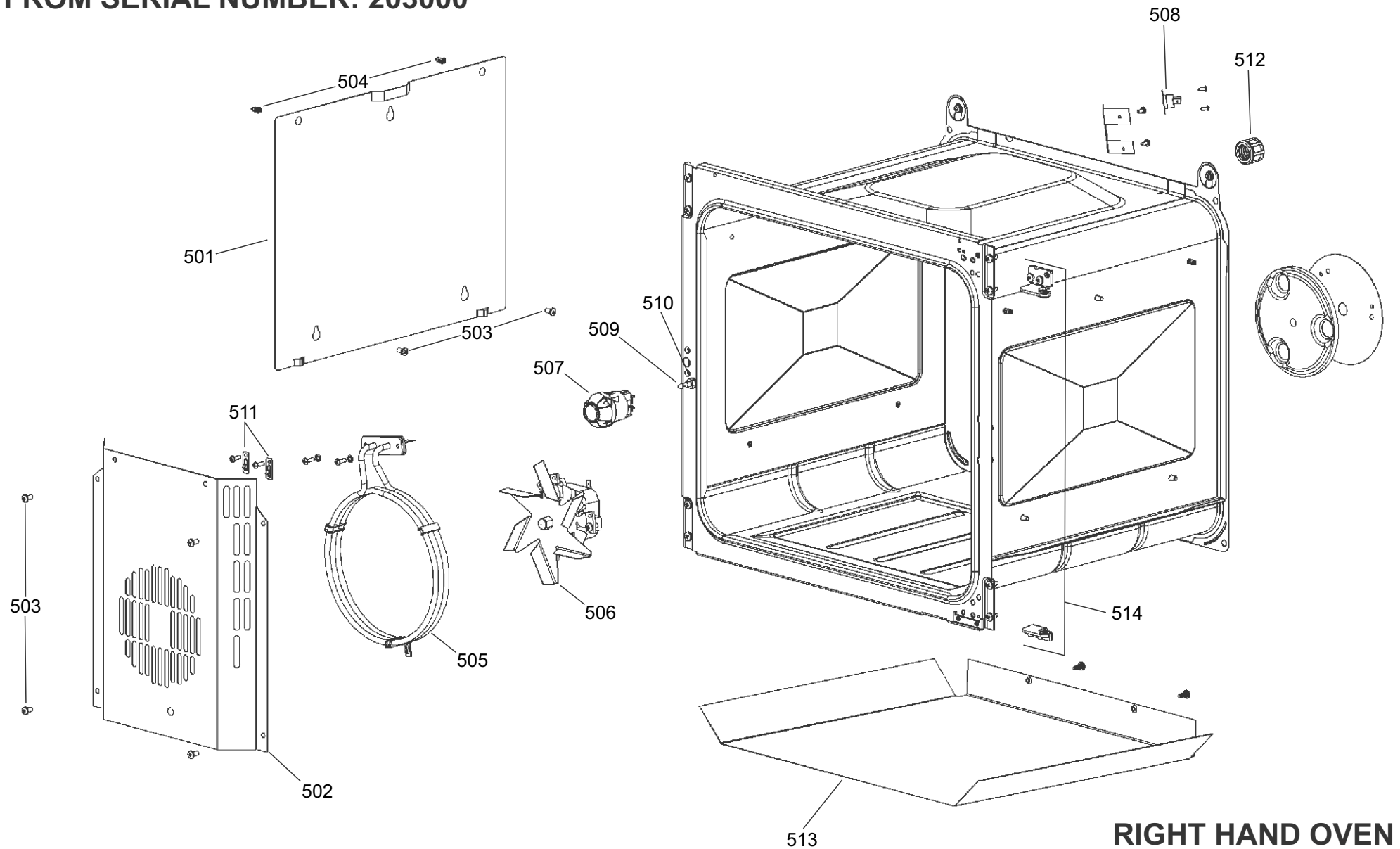


RIGHT HAND OVEN (FANNED & LIGHT)

**FALCON / RANGEMASTER
CLASSIC 110 CERAMIC
FROM SERIAL NUMBER: 203000**

DATE: 03.09.18

DSL0732 P05A
ISSUE 01

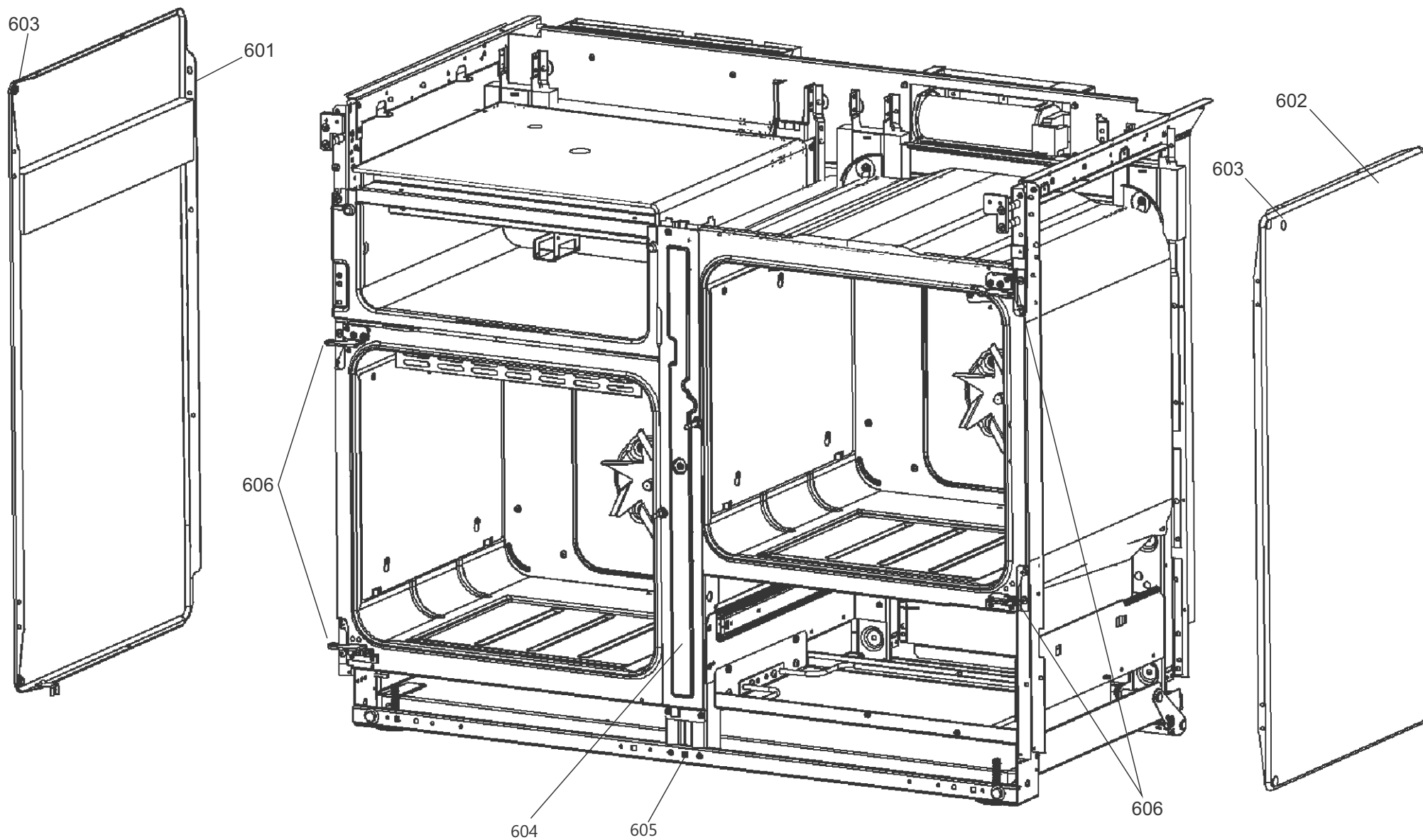


**RIGHT HAND OVEN
(FANNED & LIGHT)**

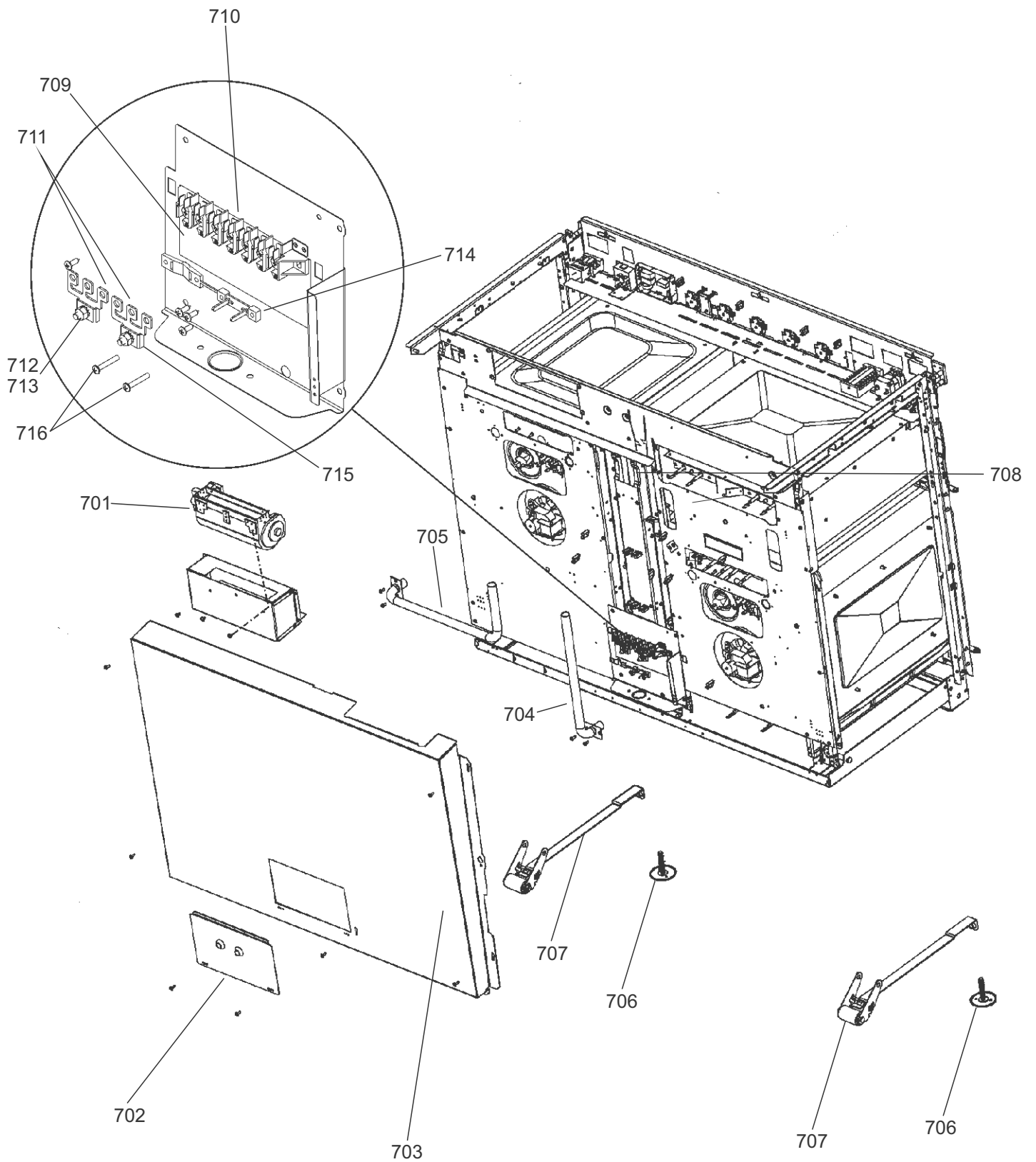
**FALCON / RANGEMASTER
CLASSIC 110 CERAMIC**

DATE 04.04.18

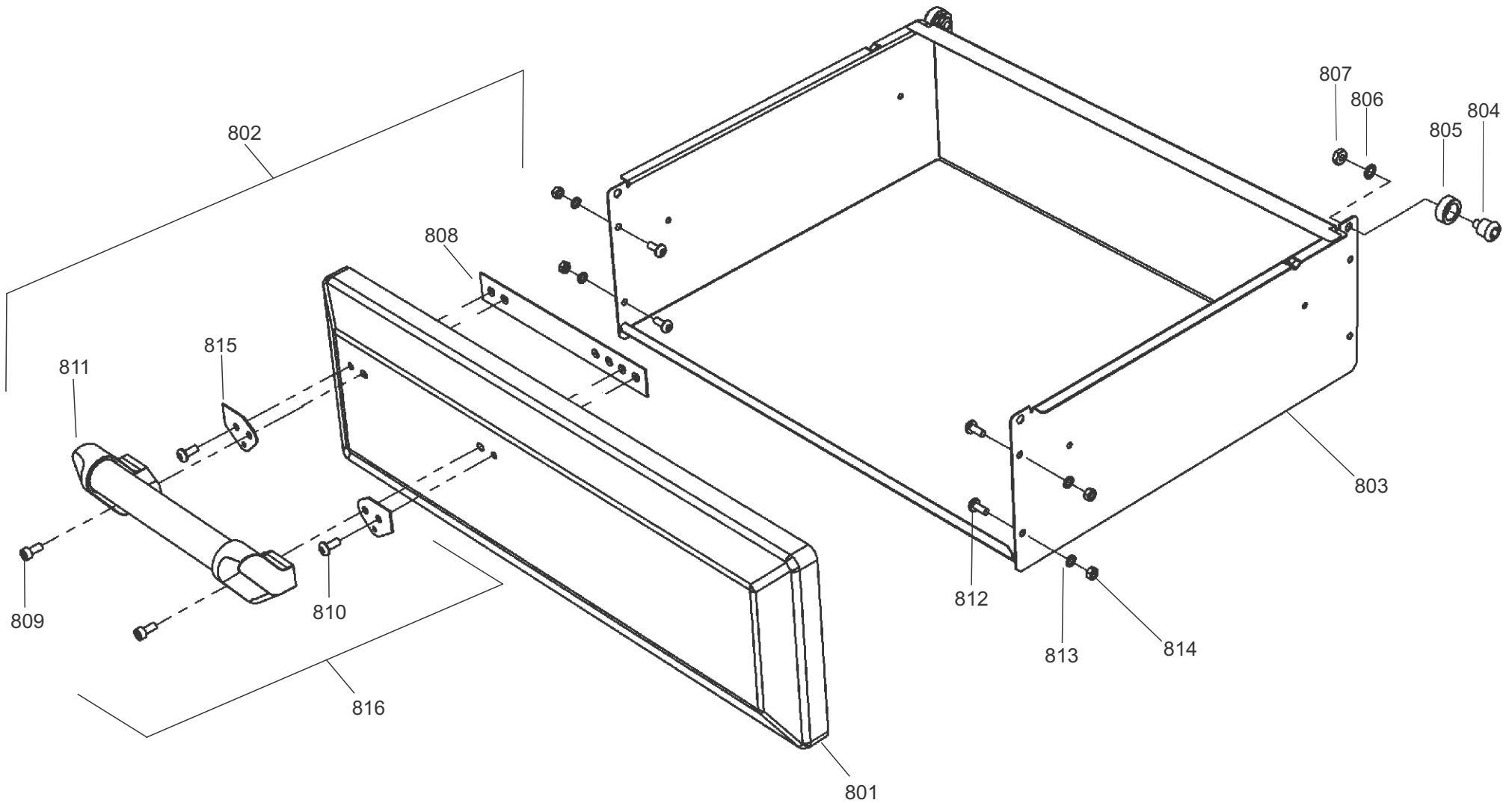
DSL0732 P06
ISSUE 01



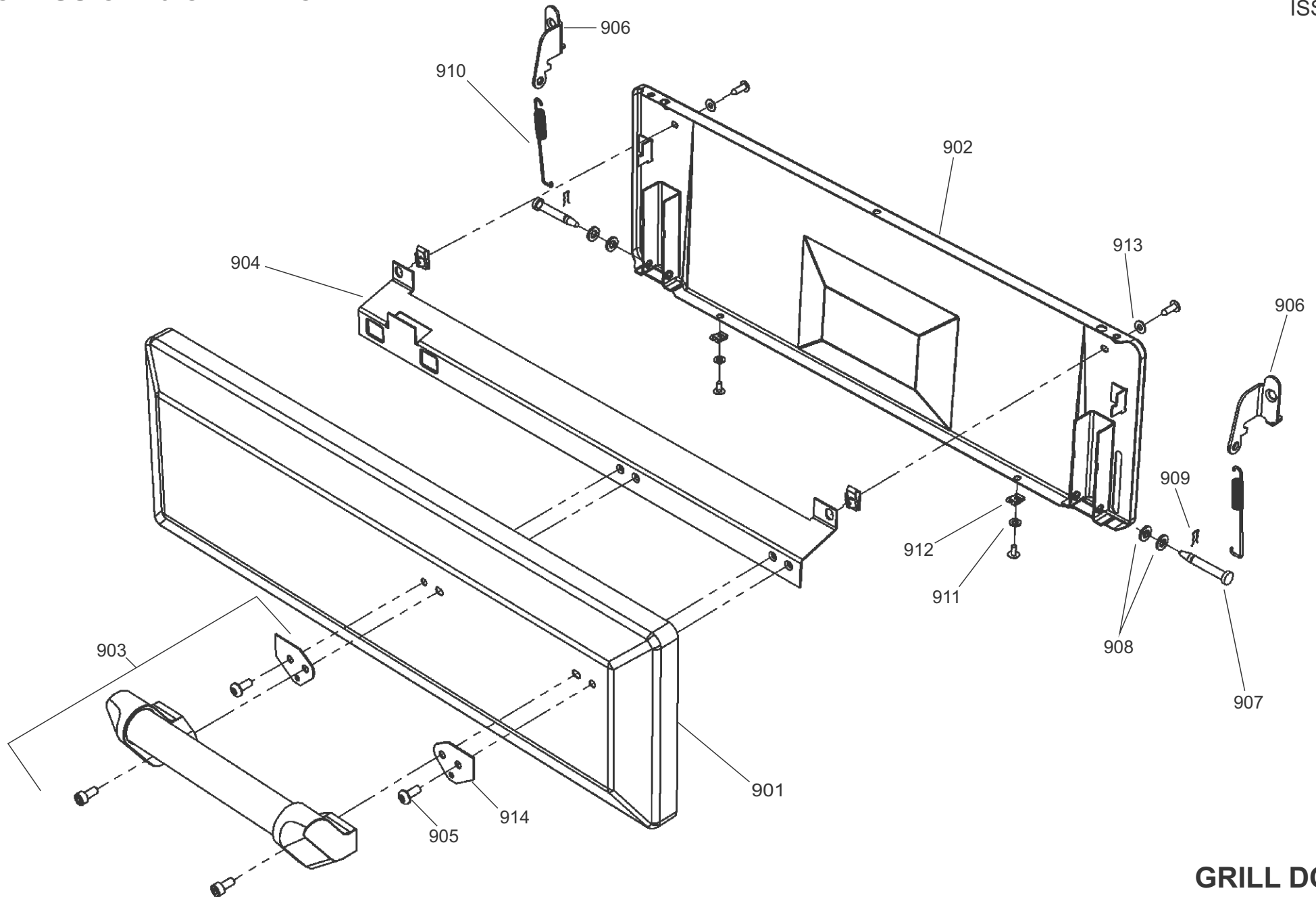
COOKER CHASSIS



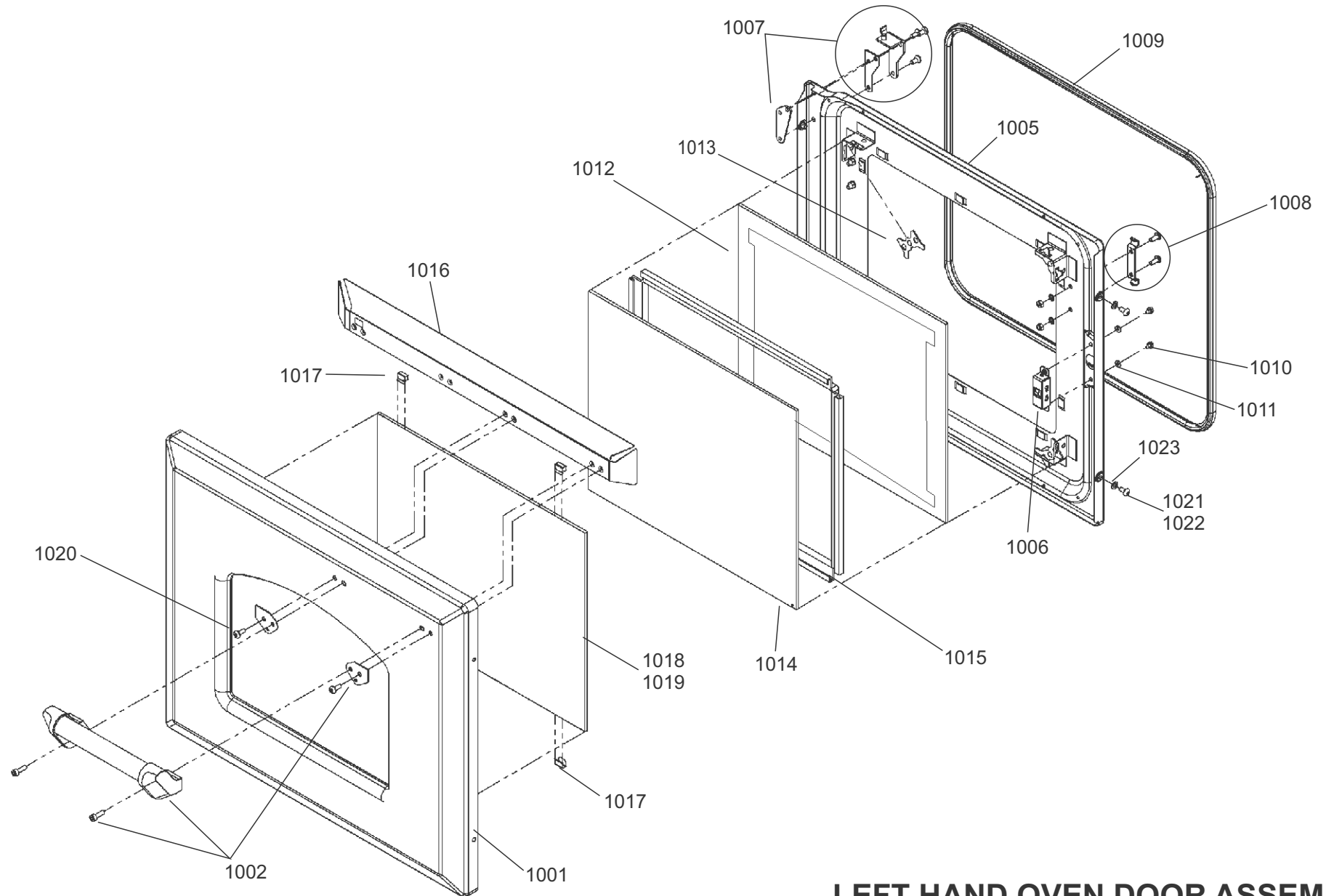
REAR ELECTRICAL



STORAGE DRAWER



GRILL DOOR

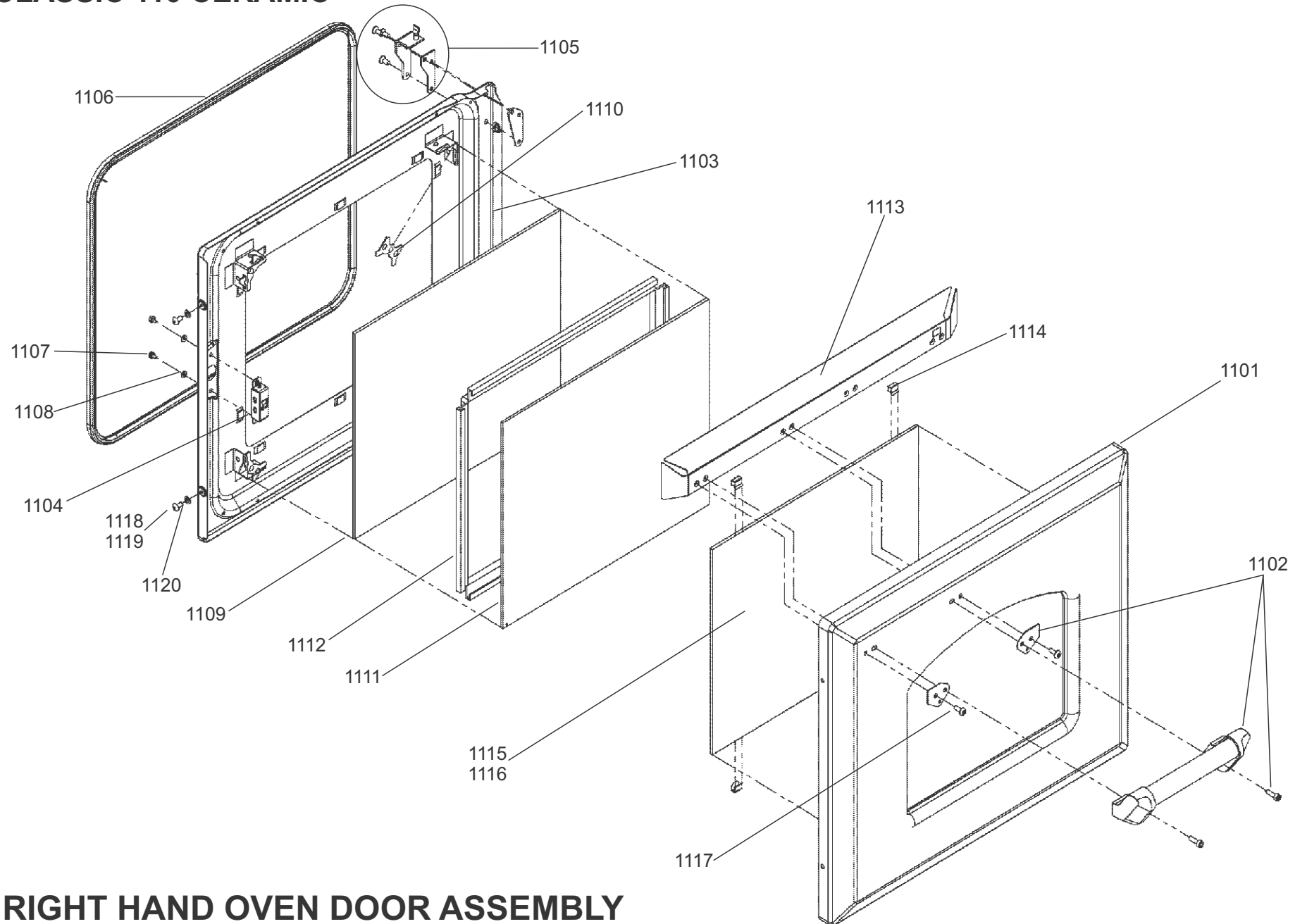


LEFT HAND OVEN DOOR ASSEMBLY

**FALCON / RANGEMASTER
CLASSIC 110 CERAMIC**

DATE 04.04.18

DSL0732 P11
ISSUE 01

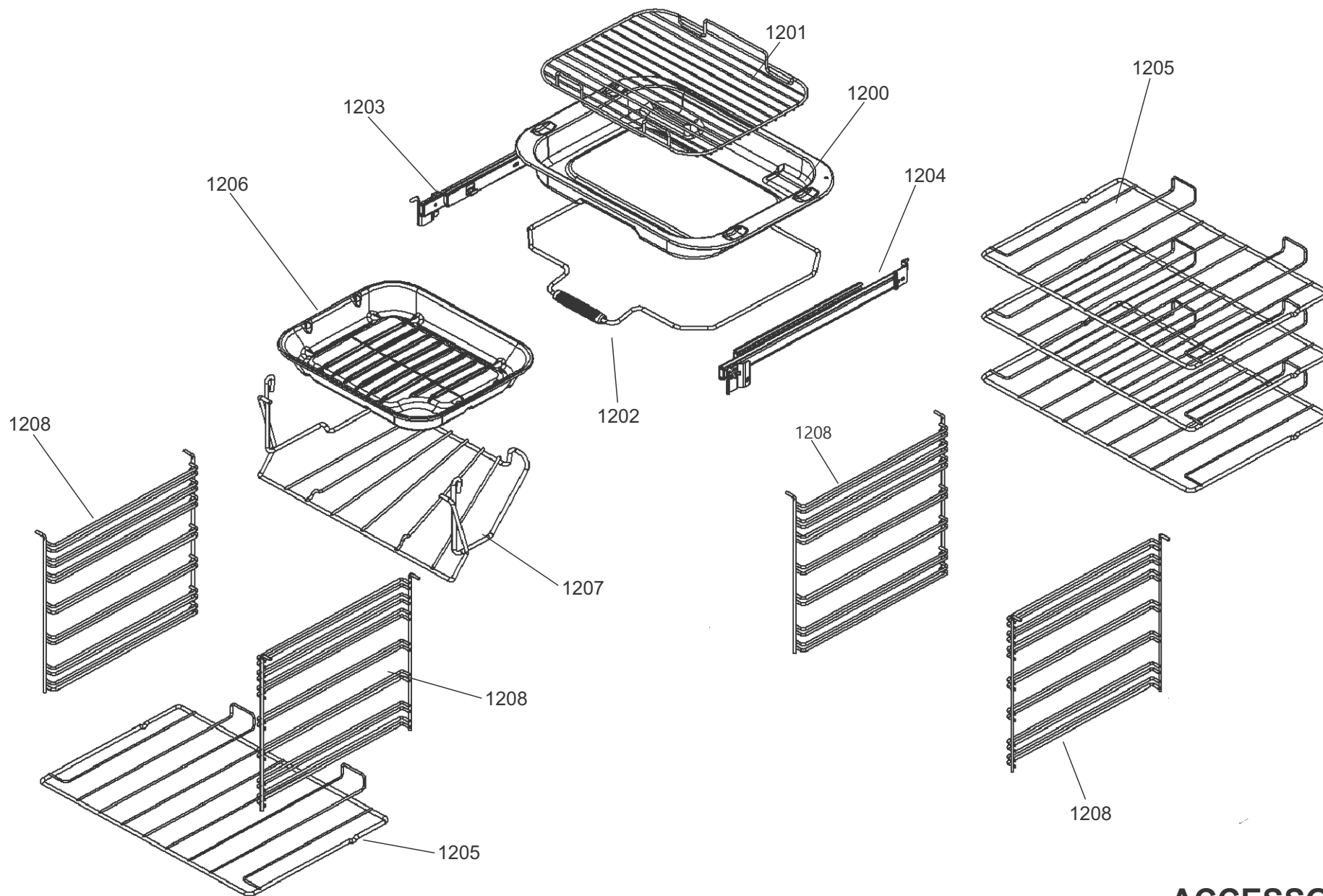


RIGHT HAND OVEN DOOR ASSEMBLY

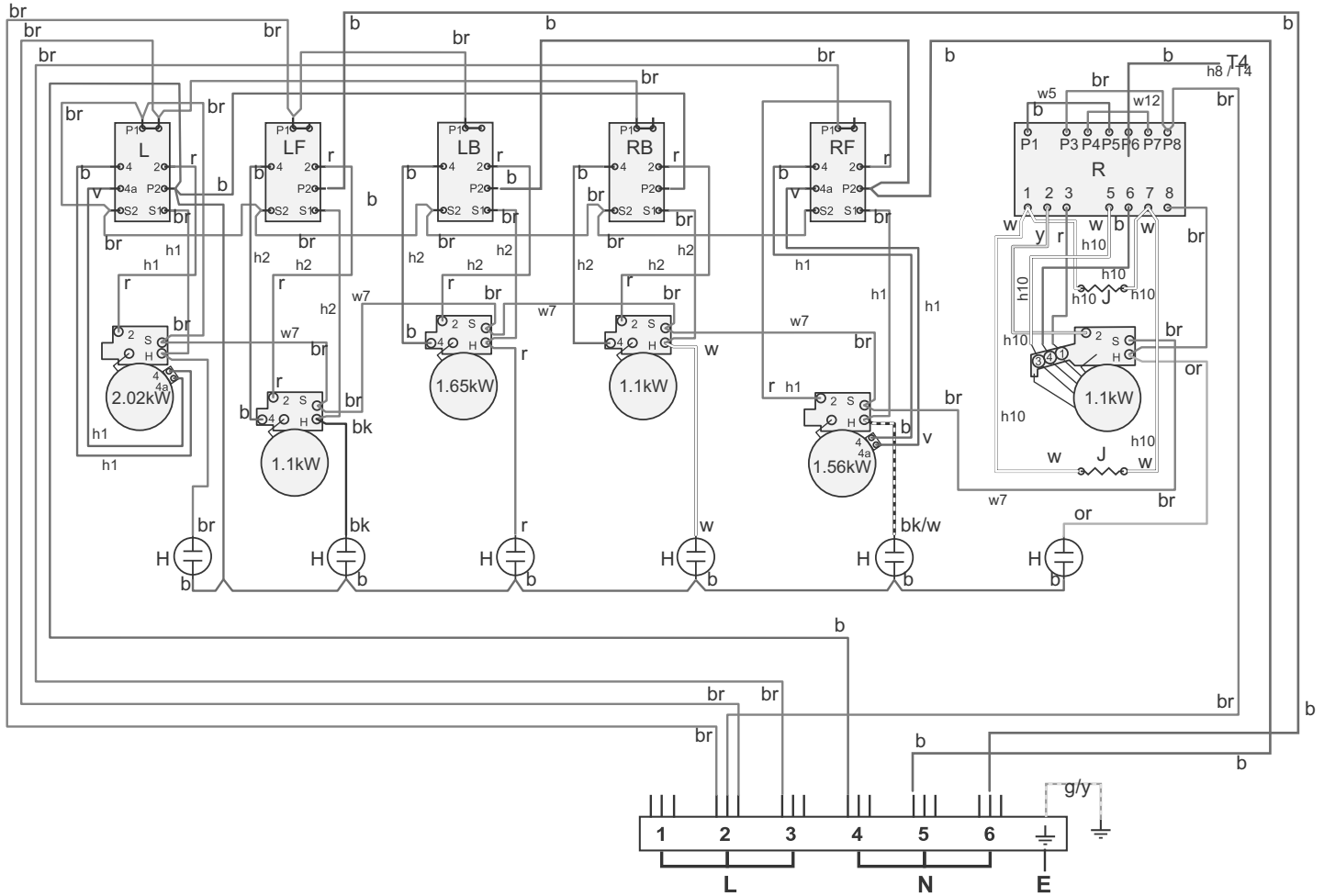
**FALCON / RANGEMASTER
CLASSIC 110 CERAMIC**

DATE 04.04.18

DSL0732 P12
ISSUE 01

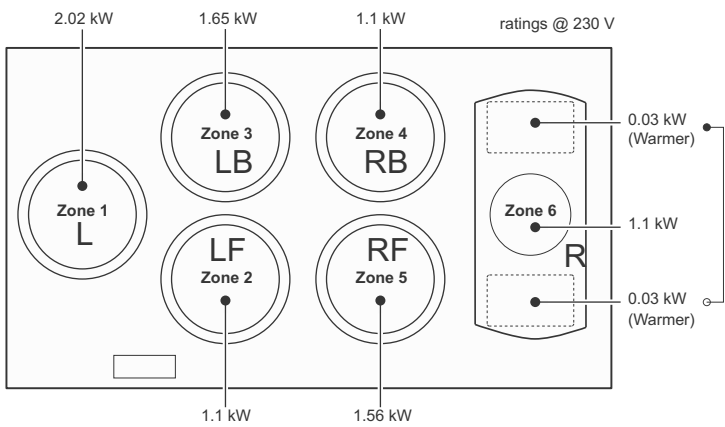


ACCESSORIES



The connections shown in the circuit diagram are for single phase. The ratings are for 230 Vac

Classic Deluxe - Classic Ceramic Hob - 110 Series



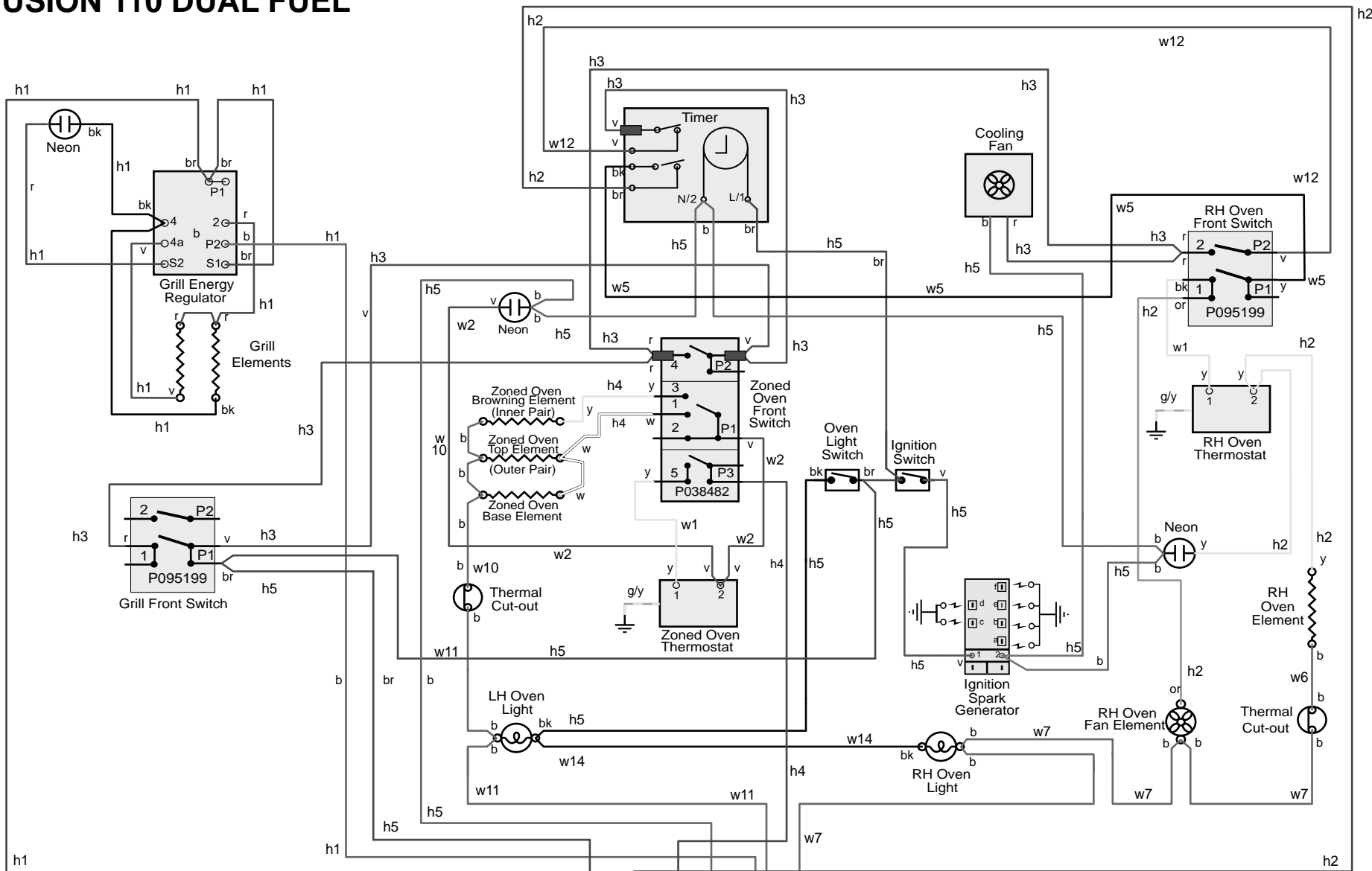
Code	Colour
b	Blue
br	Brown
bk	Black
or	Orange
r	Red
v	Violet
w	White
y	Yellow
g/y	Green/yellow
gr	Grey

FALCON / RANGEMASTER INFUSION 110 DUAL FUEL

ISSUE STATUS 01

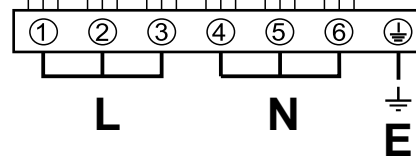
DATE 09.10.18

DSL0716 P14A

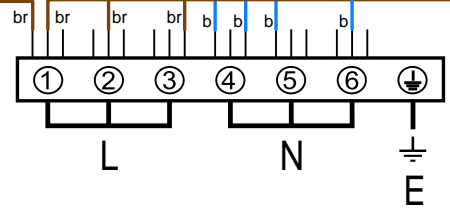
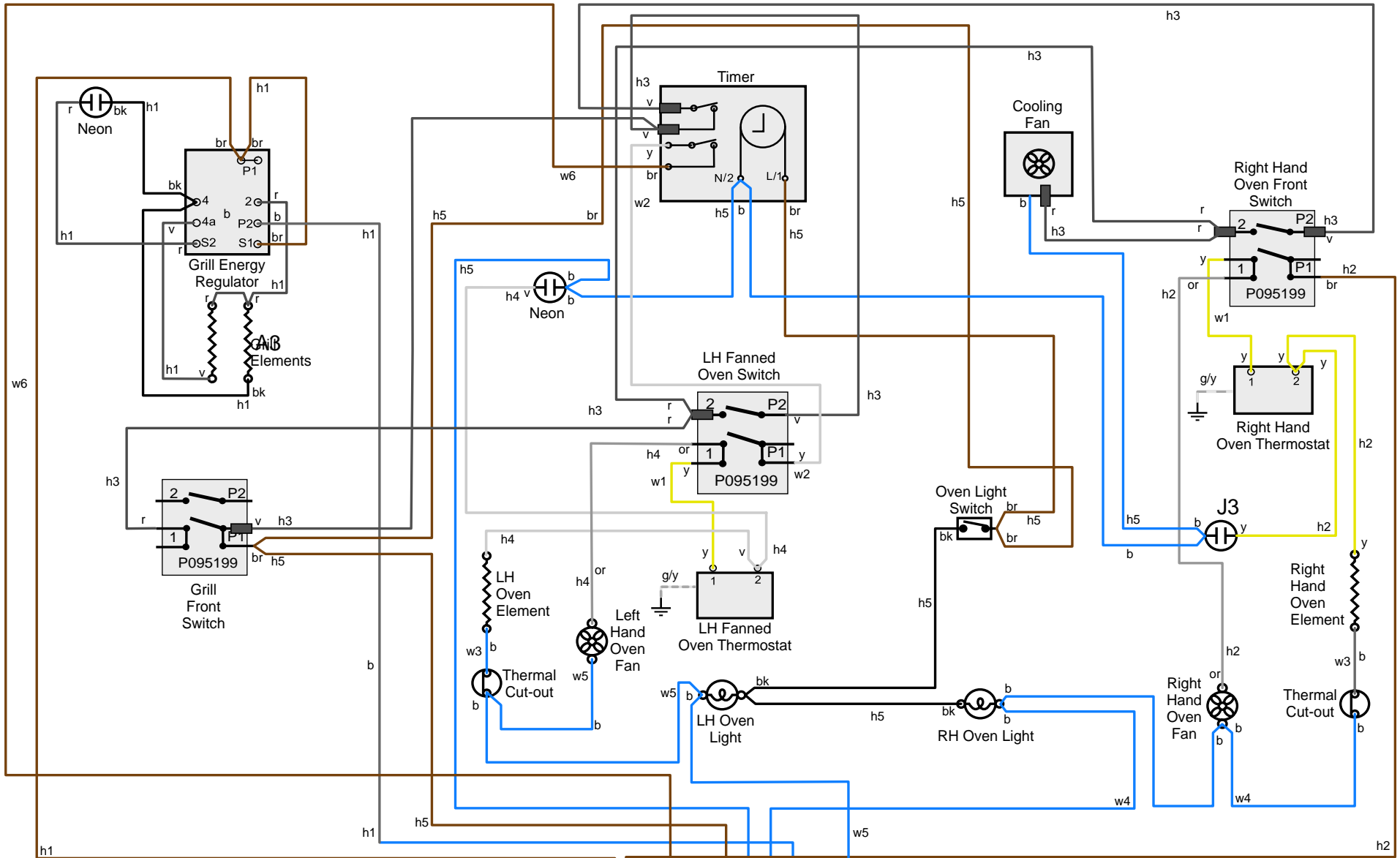


Code	Colour	Code	Colour	Code	Colour
b	Blue	v	Violet	w	White
br	Brown	or	Orange	y	Yellow
bk	Black	r	Red	g/y	Green/yellow

Key: The connections shown in the circuit diagram are for single-phase
The ratings are for 230V 50Hz



WIRING DIAGRAM



Code	Colour	Code	Colour
b	Blue	v	Violet
br	Brown	w	White
bk	Black	y	Yellow
or	Orange	g/y	Green/yellow
r	Red		

WIRING & ELECTRICAL