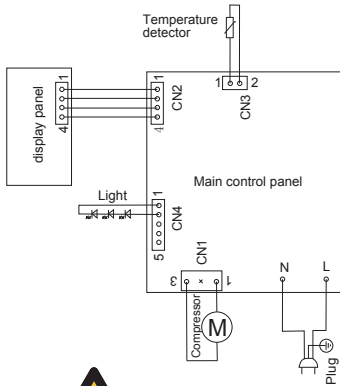


▲▲▲▲▲ VALBERG

CIRCUIT DIAGRAM



WINE COOLER

PRODUCT CODE :	967383
MODEL :	WC 38 G B302C
RATED VOLTAGE :	220-240 V ~ 50 Hz
RATED CURRENT / CLASS :	0,8 A / CLASS I
LAMP TYPE / POWER :	LED MODULE / 0,5 W
CLIMATIC CLASS(ES) :	SN-N-ST
NET CAPACITY :	85 L
BOTTLES CAPACITY (2 / 3 SHELVES) :	38 / 31
REFRIGERANT AND MASS :	R600a / 23 g
INSULATION FOAMING AGENT :	CYCLOPENTANE
RELATIVE HUMIDITY :	55%
ANNUAL ENERGY CONSUMPTION:	139 (kwh/year)
SERIAL NO :	YYWW967383XXXXX



MADE IN P.R.C.
ELECTRO DEPOT
1 ROUTE DE VENDEVILLE
59155 FACHES THUMESNIL FRANCE