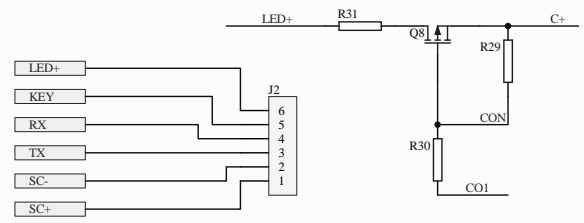
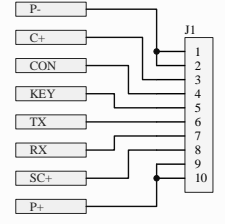
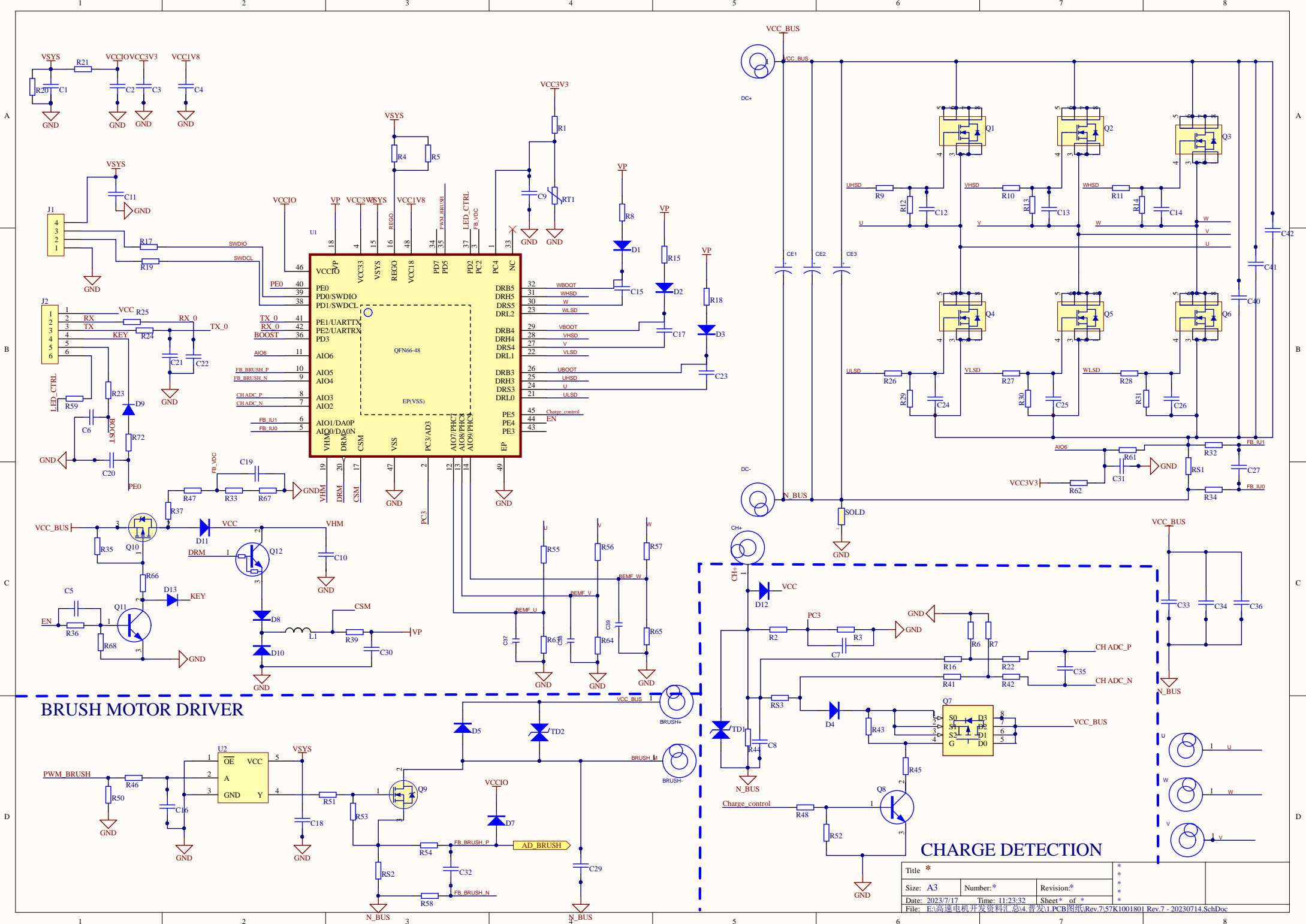


预留

常态H

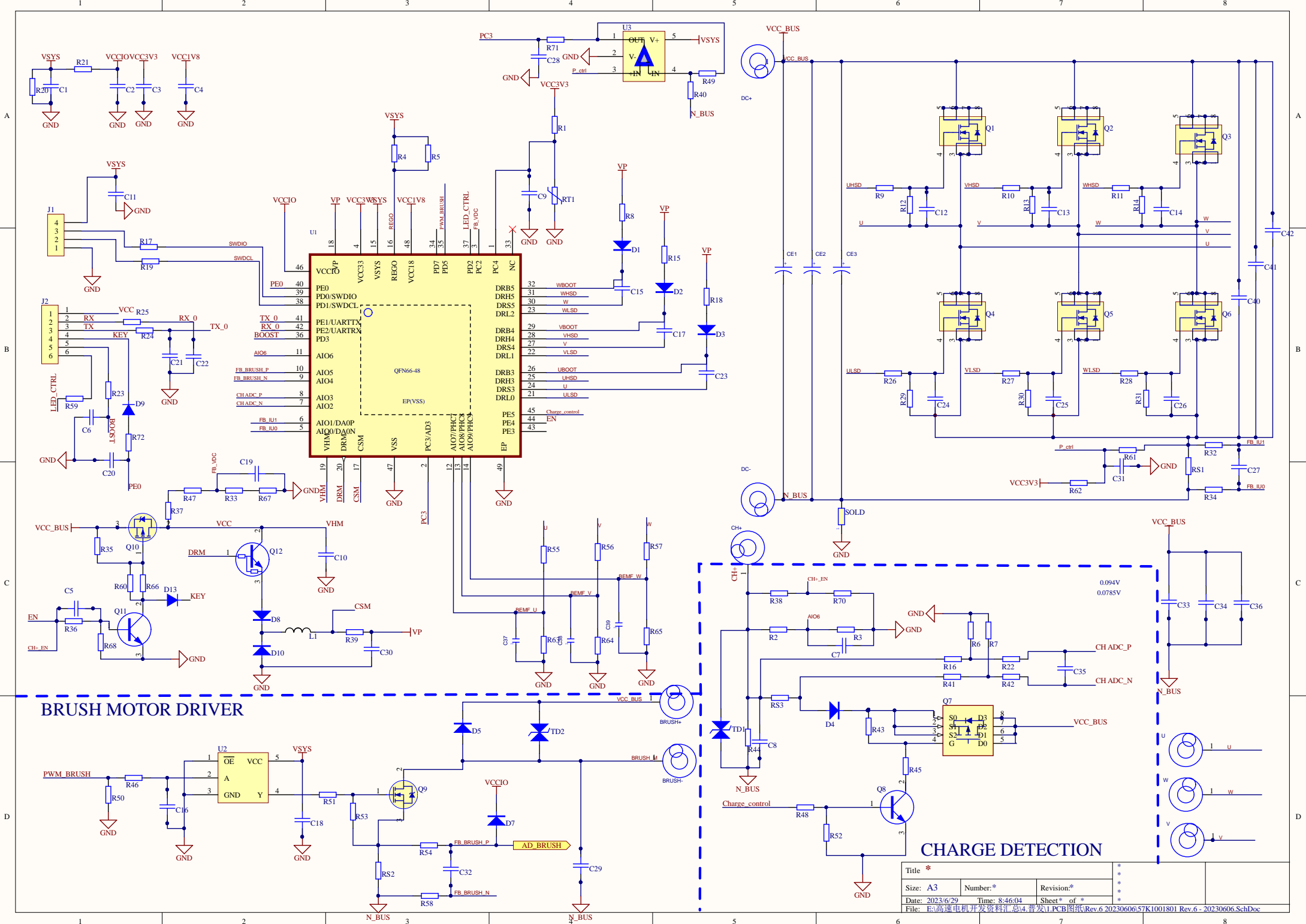




**BRUSH MOTOR DRIVER**

**CHARGE DETECTION**

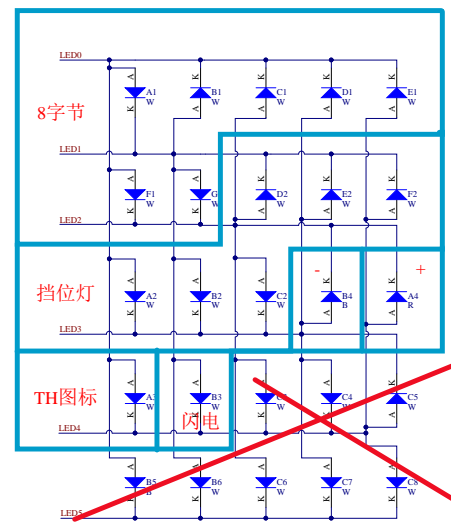
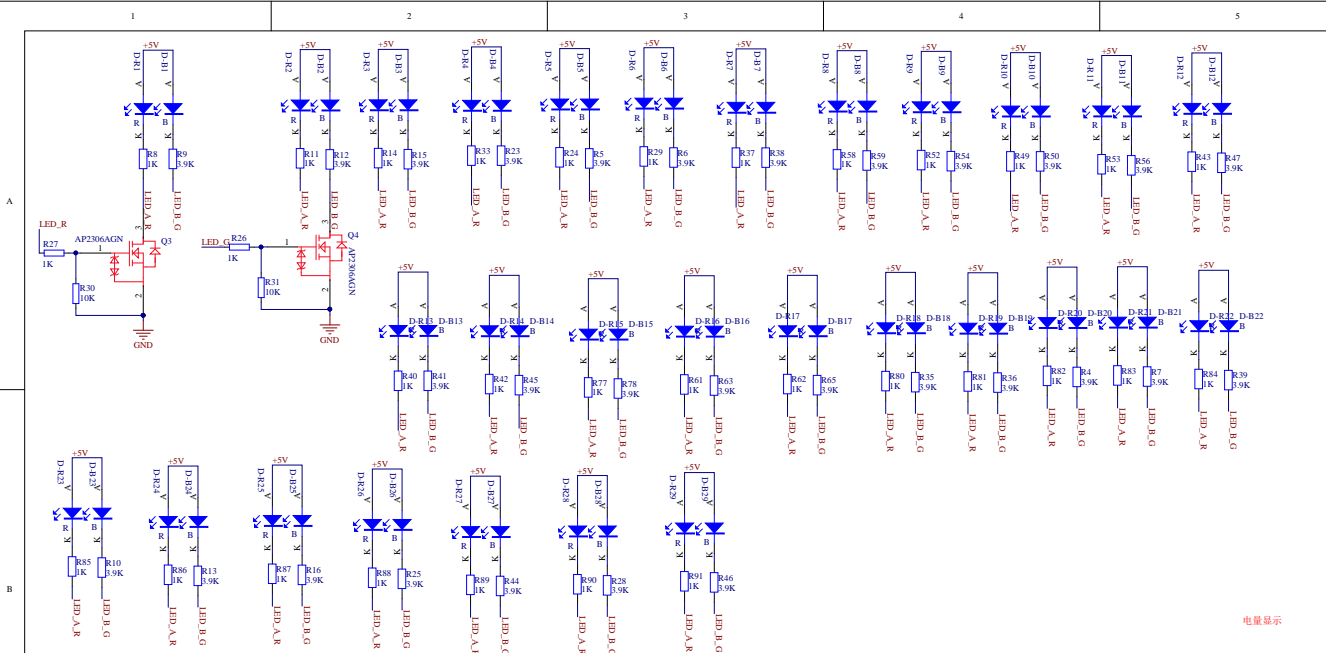
|   |                |             |   |
|---|----------------|-------------|---|
| Title *   |                |             | * |
| Size: A3  | Number:*       | Revision:*  | * |
| Date: 2023/7/17   | Time: 11:23:32 | Sheet* of * | * |
| File: E:\高电压电机开发资料\总图4.普发1.PCB图纸\Rev.7\57K1001801 Rev.7 - 20230714.SchDoc |                |             | * |



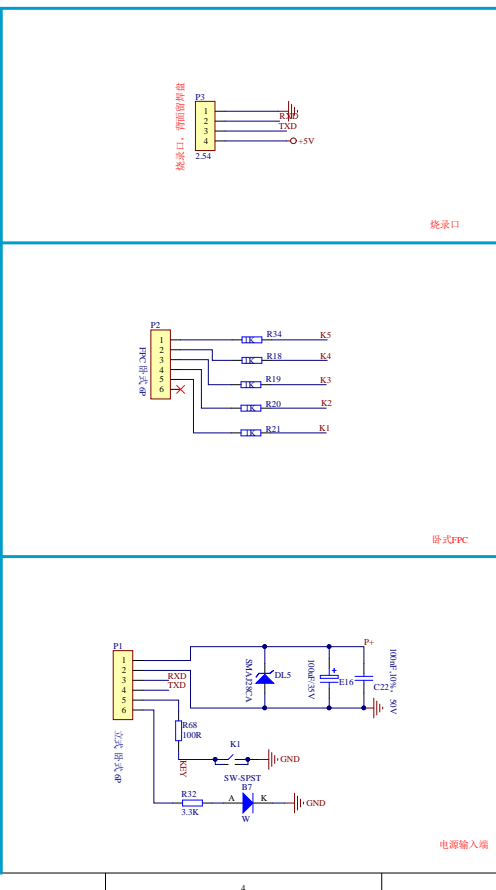
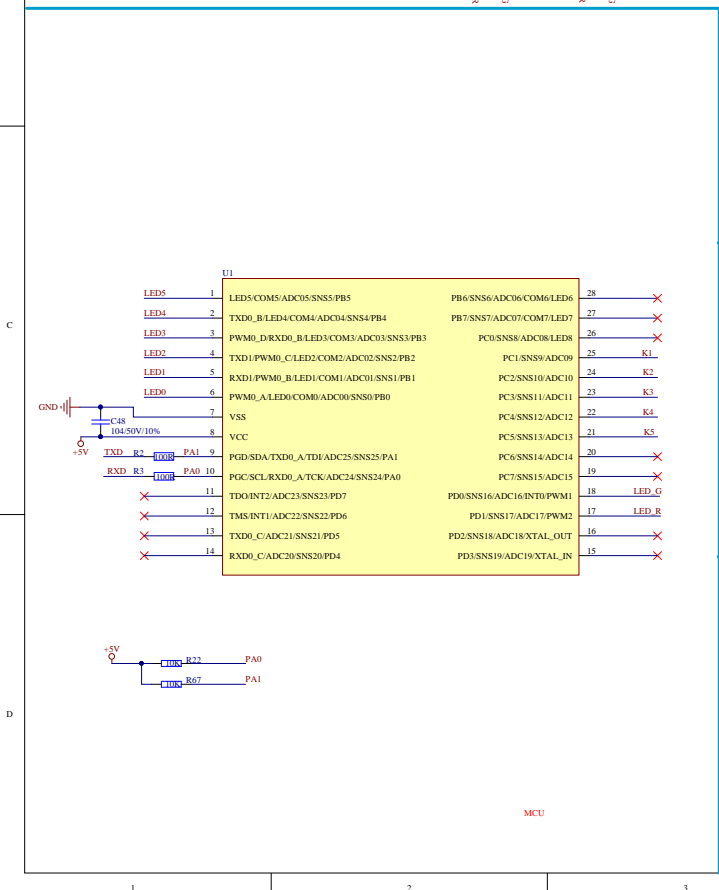
**BRUSH MOTOR DRIVER**

**CHARGE DETECTION**

|   |               |             |   |
|---|---------------|-------------|---|
| Title *   |               |             | * |
| Size: A3  | Number: *     | Revision: # | * |
| Date: 2023/6/29   | Time: 8:46:04 | Sheet* of * | * |
| File: E:\高乘电机开发资料\总4_普发\1.PCB图纸\Rev.6 20230606\57K1001801 Rev.6 - 20230606.SchDoc |               |             | * |



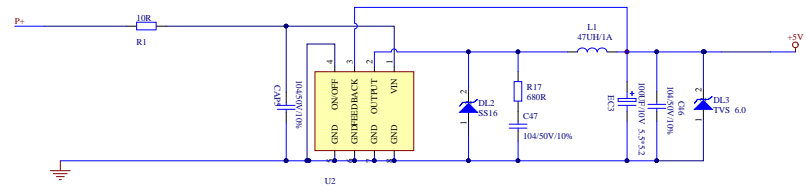
电量显示



烧录口

串口PC

电源输入端



DCDC电路

| Title |                            | Revision  |  |
|-------|----------------------------|-----------|--|
| Size  | A2                         | Number    |  |
| Date  | 2023.10.21 星期四             | Sheet of  |  |
| File  | 恒泰隆资料_EB_59591-REV.3.0.sch | Drawn By: |  |